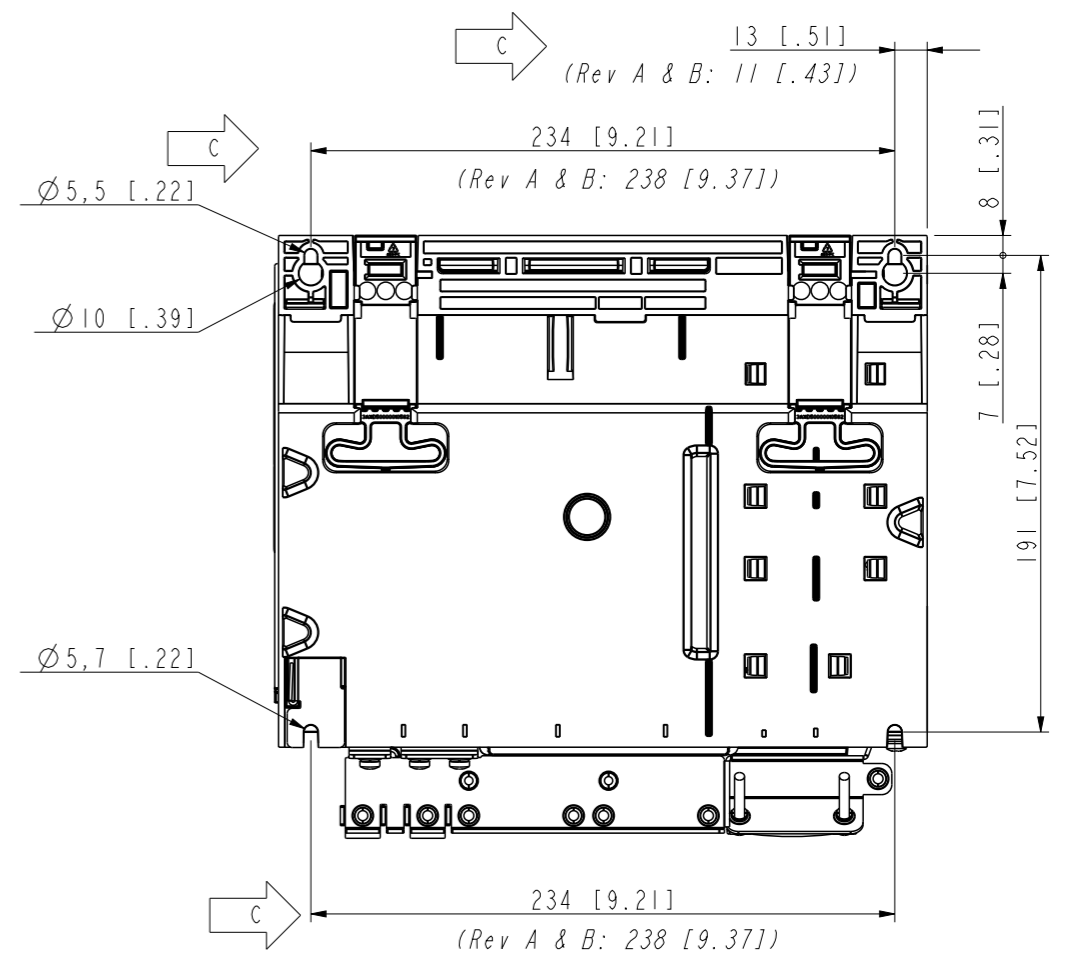
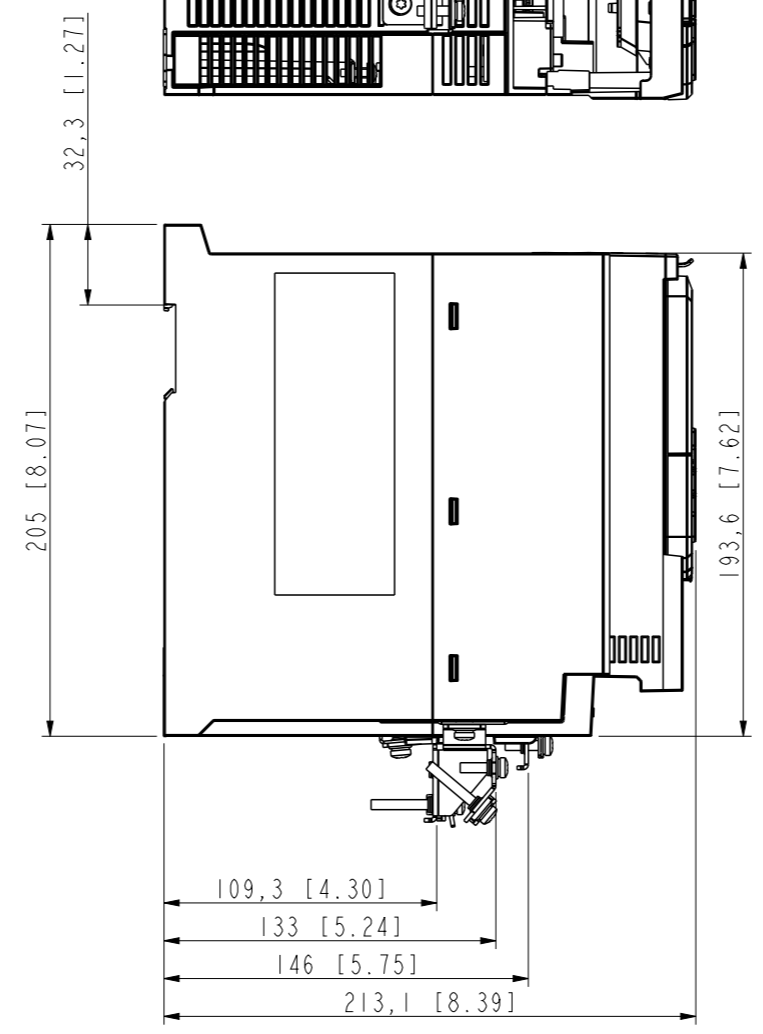
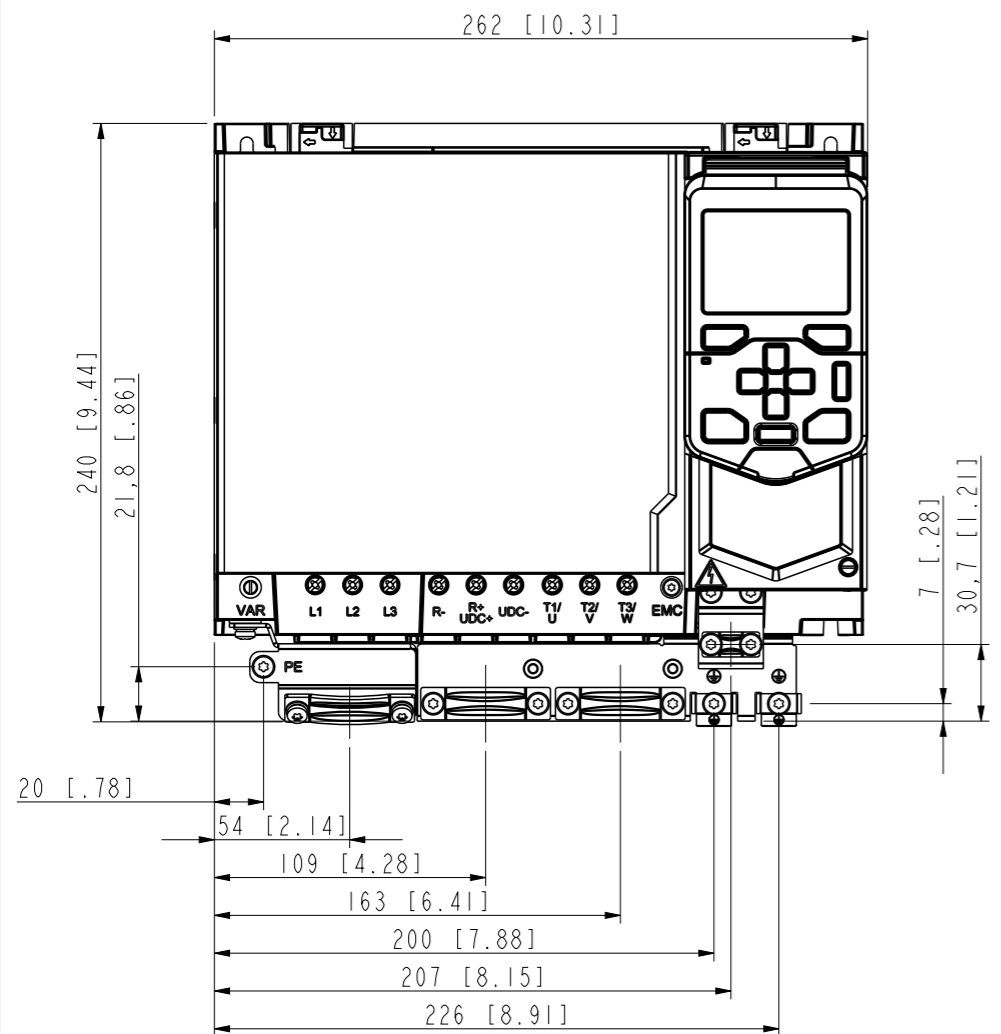
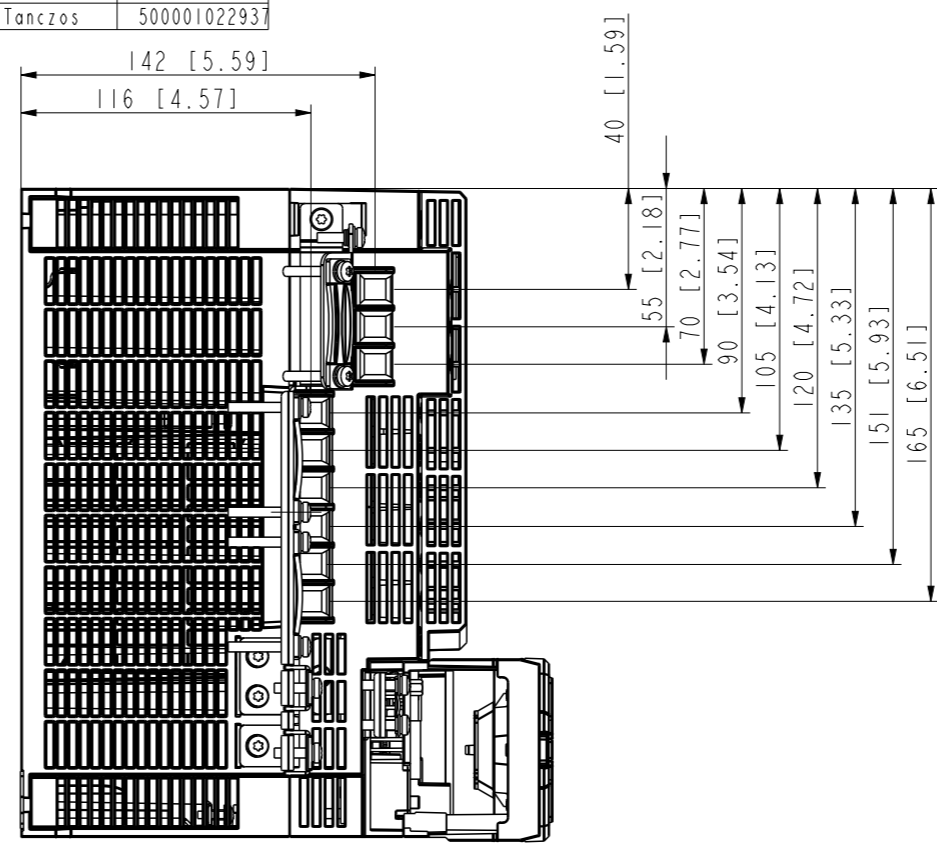


1	2	3	4	5	6	7	8	
3AXD50000181728		C.11+		We reserve all rights in this document and in the information contained therein. Reproduction, use or disclosure to third parties without express authority is strictly forbidden.				First angle projection. Original drawing made with 3D CAD. Set the correct scale factor when adding dimensions after DWG/DXF conversion.
ACS480_R4 (ASSEM)		-17		© ABB Oy. PROPRIETARY AND SECRET INFORMATION. CONFIDENTIAL				
B	Added sheet for UL TYPE I		19-Feb-18	A.Piirainen	50000920454			
C	Side option sheets and fixation update		21-Sep-18	A.Tanczos	500001022937			

Frame R4, IP20

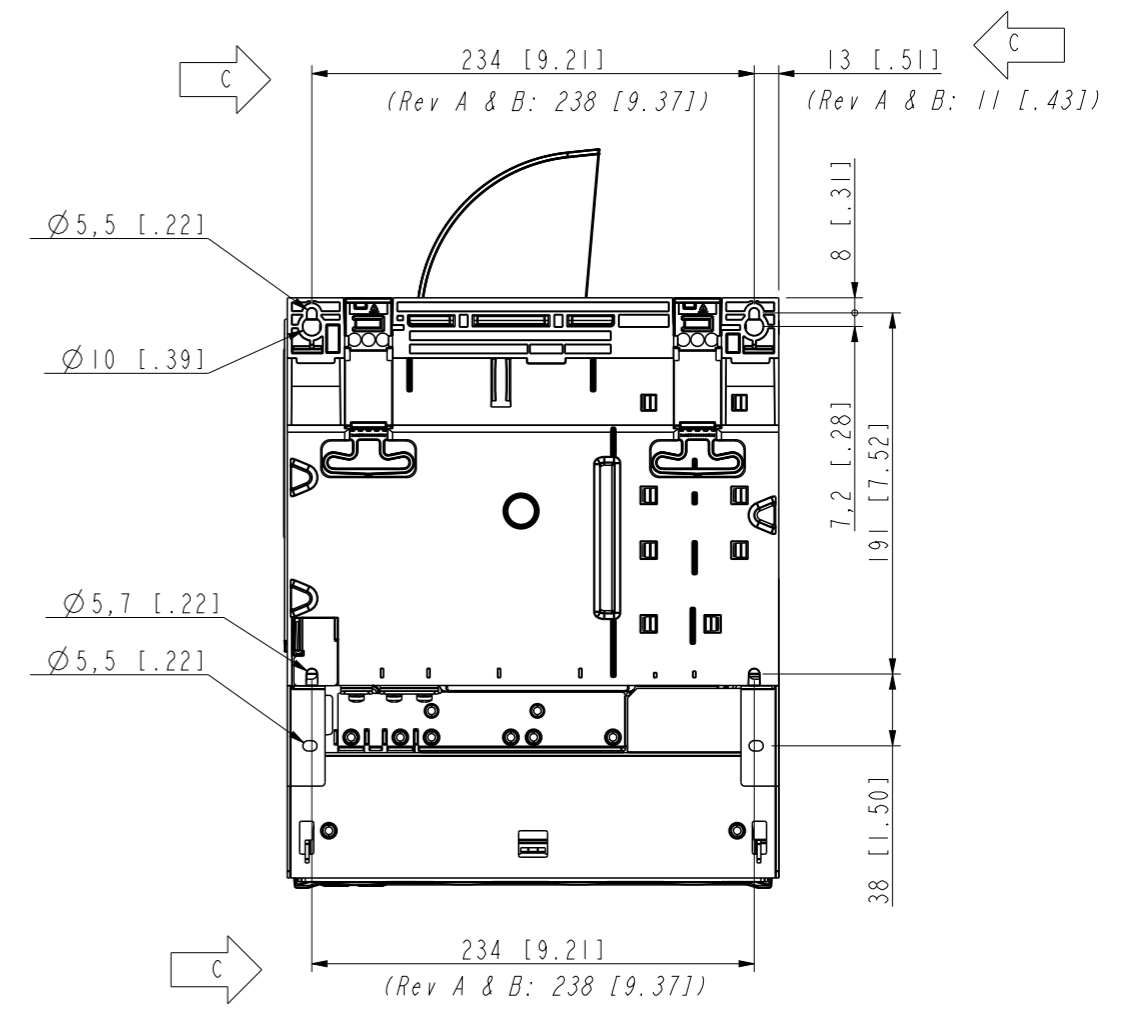
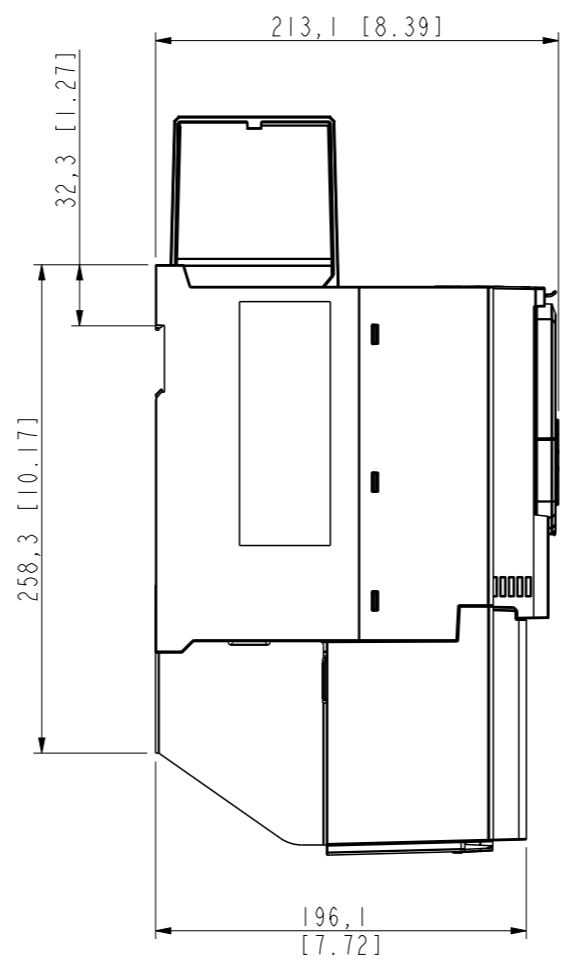
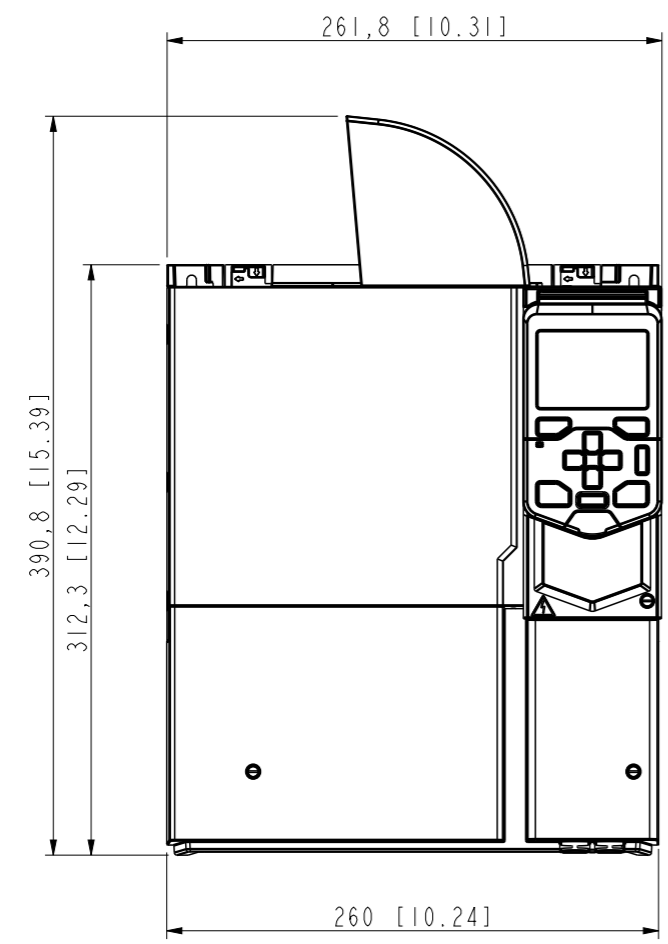
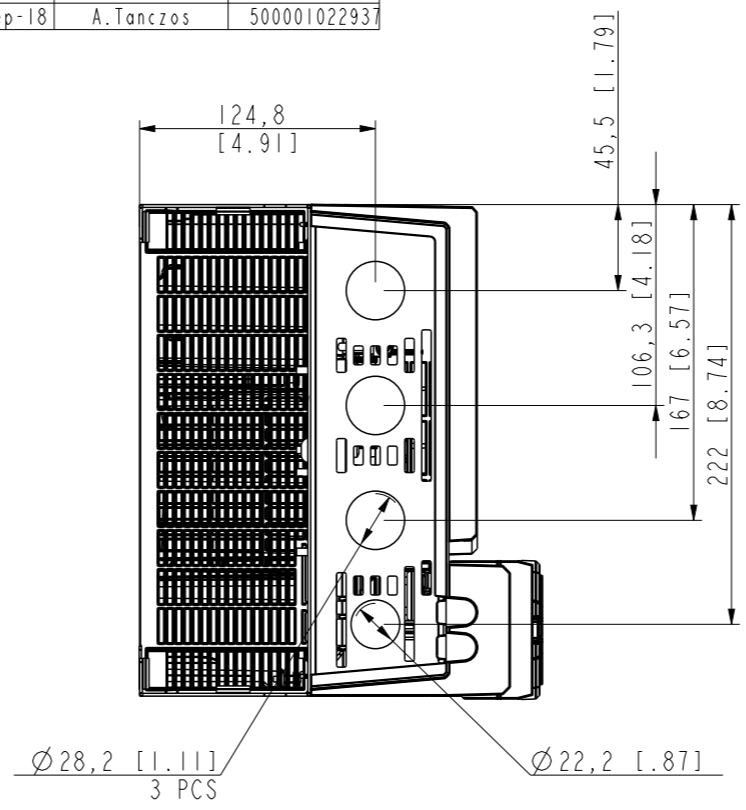


Based on	Prepared	A.Piirainen	20-Dec-17	Title	DIMENSION DRAWING	Doc. des.	Scale	Form	
Customer	Check.	M.Valli	10-Oct-18		ACX480 R4	DIMENSION DRAWING	33:100	A3	
	Appr.	S.Lilja	10-Oct-18		DIMENSION DRAWING	Resp.dept.	Rev.ind.	C (AP)	Lang. EN
Cust. Doc. No.	Project name				Doc. No.	3AXD50000181728		Sheet	1
DMS Number	Weight kg	3AXDI0000653219			Total	4			

3AXD50000181728	C.11+	We reserve all rights in this document and in the information contained therein. Reproduction, use or disclosure to third parties without express authority is strictly forbidden. © ABB Oy. PROPRIETARY AND SECRET INFORMATION. CONFIDENTIAL			
ACS480_R4 (ASSEM)	-.17				
B	Added sheet for UL TYPE 1		19-Feb-18	A.Piirainen	500000920454
C	Side option sheets and fixation update		21-Sep-18	A.Tanczos	500001022937

First angle projection. Original drawing made with 3D CAD. Set the correct scale factor when adding dimensions after DWG/DXF conversion.

Frame R4, UL Type 1

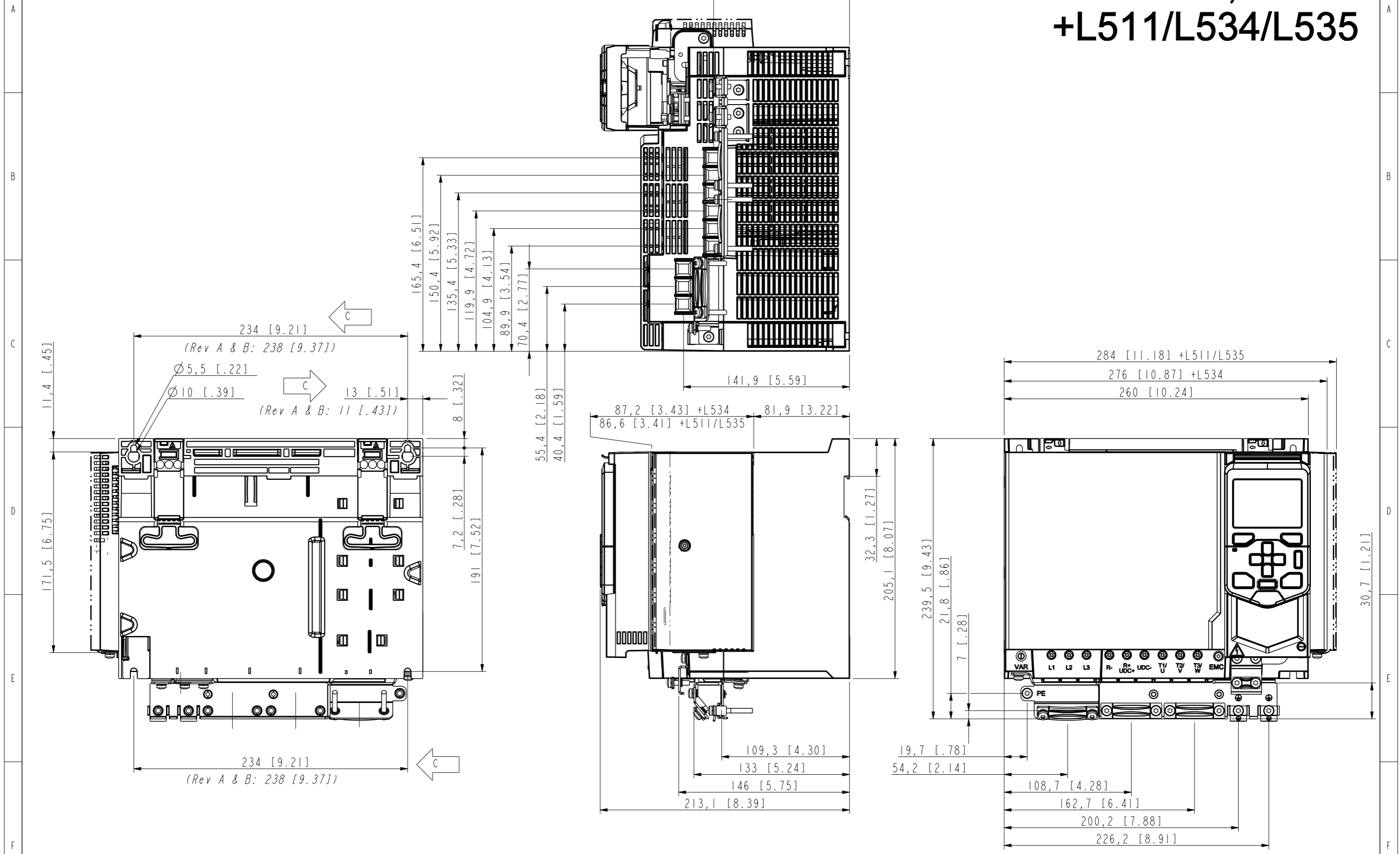


Based on	Prepared	A.Piirainen	20-Dec-17	Title	DIMENSION DRAWING	Doc. des.	DIMENSION DRAWING	Scale	1:4	Form	A3	Lang. EN
Customer	Check.	M.Valli	10-Oct-18		ACX480 R4	Resp.dept.	Rev.ind.	C (AP)				
Cust. Doc. No.	Appr.	S.Lilja	10-Oct-18	Project name	DIMENSION DRAWING	Doc. No.	3AXD50000181728					Total 4
DMS Number	3AXDI0000653219		Weight kg	ABB								

3AXD50000181728	C.11+	We reserve all rights in this document and in the information contained therein. Reproduction, use or disclosure to third parties without express authority is strictly forbidden. © ABB Oy. PROPRIETARY AND SECRET INFORMATION. CONFIDENTIAL	19-Feb-18	A.Piirainen	50000920454
ACS480_R4 (ASSEM)	-.17		21-Sep-18	A.Tanczos	500001022937
B	Added sheet for UL TYPE I				
C	Side option sheets and fixation update				

First angle projection. Original drawing made with 3D CAD. Set the correct scale factor when adding dimensions after DWG/DXF conversion.

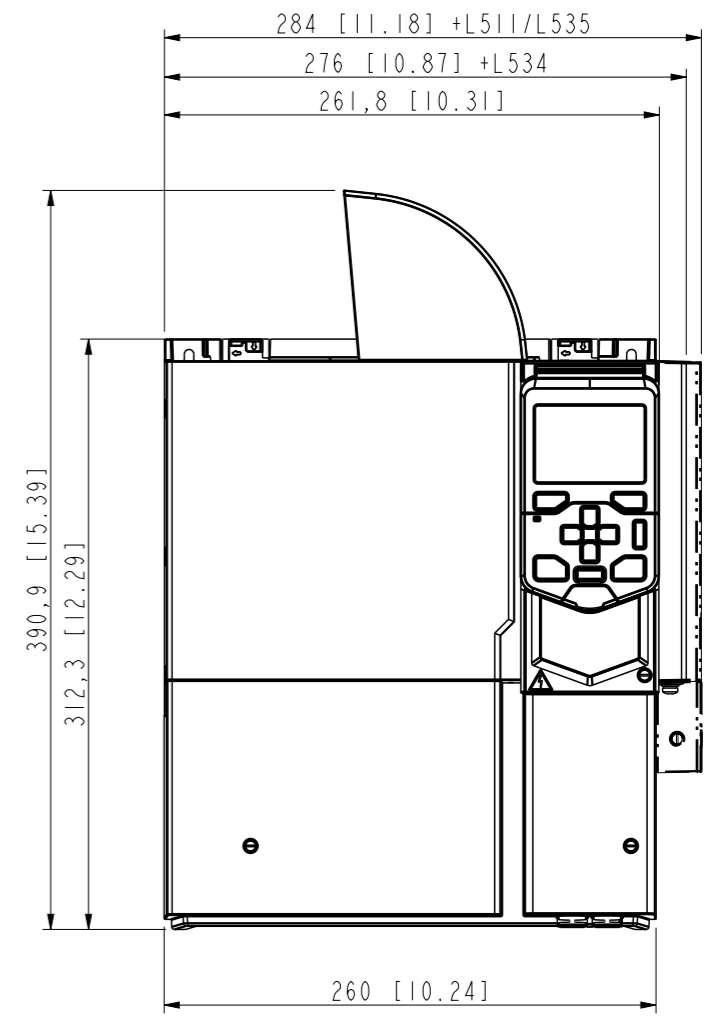
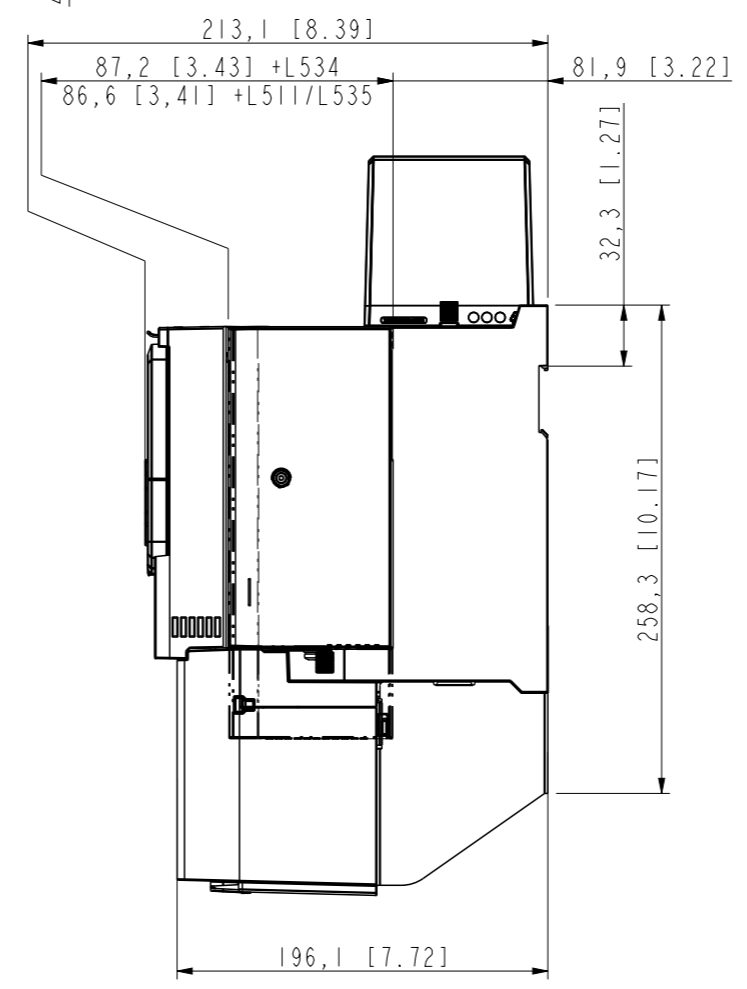
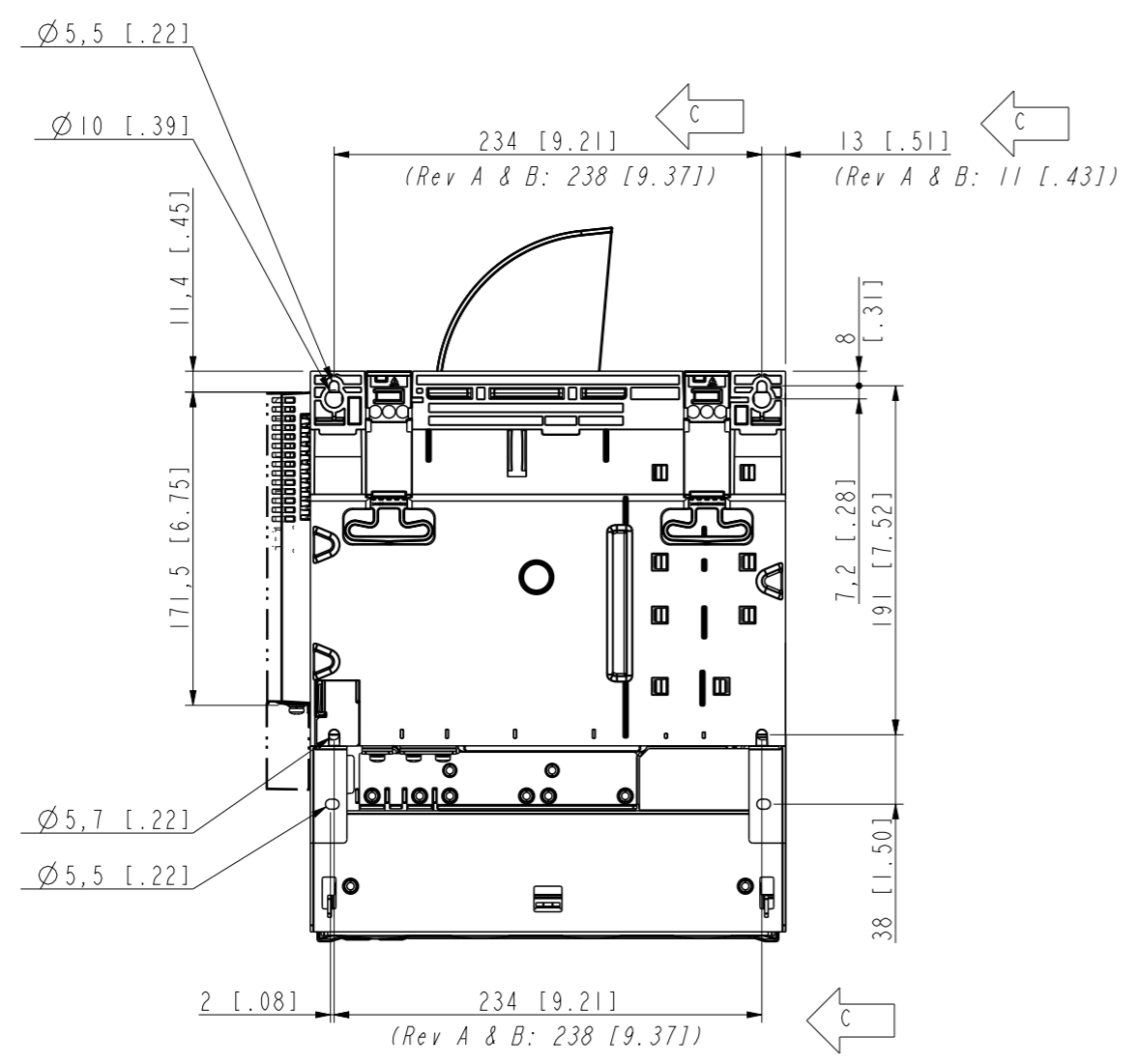
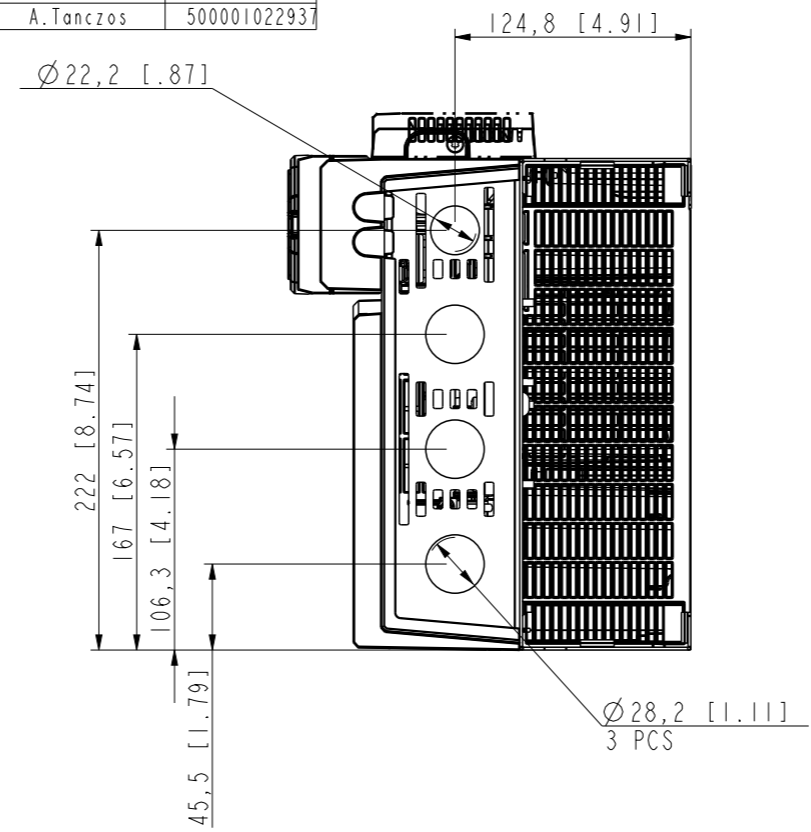
Frame R4, IP20 +L511/L534/L535



Based on	Prepared	A.Piirainen	20-Dec-17	Title	DIMENSION DRAWING	Doc. des.	DIMENSION DRAWING	Scale	33:100	Form	A3	
Customer	Check.	M.Valli	10-Oct-18		ACX480 R4	Resp.dept.	Rev.ind.	C (AP)	Lang.	EN		
Cust. Doc. No.	Appr.	S.Lilja	10-Oct-18		DIMENSION DRAWING	Doc. No.	3AXD50000181728	Sheet	3	Total	4	
DMS Number	3AXDI0000653219		Weight kg									

1	2	3	4	5	6	7	8
3AXD50000181728		C.11+	We reserve all rights in this document and in the information contained therein. Reproduction, use or disclosure to third parties without express authority is strictly forbidden.		First angle projection. Original drawing made with 3D CAD. Set the correct scale factor when adding dimensions after DWG/DXF conversion.		
ACS480_R4 (ASSEM)		-.17	© ABB Oy. PROPRIETARY AND SECRET INFORMATION. CONFIDENTIAL				
B	Added sheet for UL TYPE 1		19-Feb-18	A.Piirainen	50000920454		
C	Side option sheets and fixation update		21-Sep-18	A.Tanczos	500001022937		

Frame R4, UL Type 1 +L511/L534/L535



Based on	Prepared	A.Piirainen	20-Dec-17	Title	DIMENSION DRAWING		Doc. des.	Scale	Form	
Customer	Check.	M.Valli	10-Oct-18		ACX480 R4		DIMENSION DRAWING	1:4	A3	
	Appr.	S.Lilja	10-Oct-18		DIMENSION DRAWING		Resp.dept.	Rev.ind.	C (AP)	Lang. EN
Cust. Doc. No.	Project name					Doc. No.		3AXD50000181728		Sheet 4
DMS Number	Weight kg	3AXDI0000653219				Total 4				