



# Pneumatic Spring Return

## Automated Ball Valve Package

### Series 38 3-Way Ball Valve

Reduced Port Valve

1000 psi WOG

Available 1/4" – 2"

316SS Body, Ball & Stem

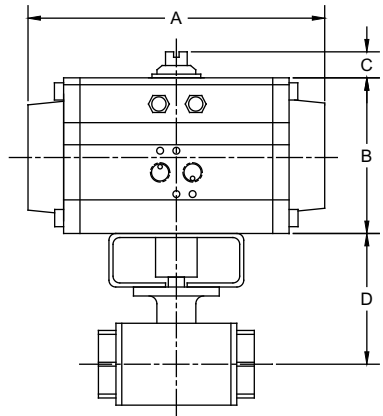
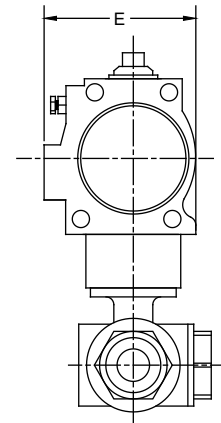
Threaded Ends

"T" Port or "L" Port

4 Seat Design



Threaded 3 Way



**SERIES 38 3 Way**

#### DIMENSIONS (IN)

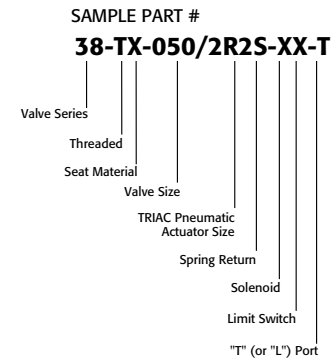
VALVE SIZE	A	B	C	D	E
1/4"	7.95	3.43	0.79	2.54	3.29
3/8"	7.95	3.43	0.79	2.54	3.29
1/2"	7.95	3.43	0.79	2.68	3.29
3/4"	9.29	4.49	0.79	3.03	4.41
1"	9.29	4.49	0.79	3.18	4.41
1-1/4"	10.87	4.88	0.79	3.43	4.82
1-1/2"	11.46	5.28	0.79	3.72	5.20
2"	13.90	6.18	0.79	4.45	6.04

VALVE Cv	
T-PORT STRAIGHT THRU	L-PORT 90°
3	3.5
3.5	4
4.2	5
7	8
14	20
19	30
35	40
45	60

DIMENSIONS SHOWN ARE FOR ASSEMBLIES SIZED FOR 80 PSI SUPPLY

SIZED FOR 80 psi AIR SUPPLY	
SIZE	MODEL
1/4"	38-TX-025/2R2S-XX-T
3/8"	38-TX-038/2R2S-XX-T
1/2"	38-TX-050/2R2S-XX-T
3/4"	38-TX-075/2R3S-XX-T
1"	38-TX-100/2R3S-XX-T
1-1/4"	38-TX-125/2R4S-XX-T
1-1/2"	38-TX-150/2R5S-XX-T
2"	38-TX-200/2R6S-XX-T

SIZED FOR 60 psi AIR SUPPLY	
SIZE	MODEL
1/4"	38-TX-025/2R2S-XX-T
3/8"	38-TX-038/2R2S-XX-T
1/2"	38-TX-050/2R2S-XX-T
3/4"	38-TX-075/2R3S-XX-T
1"	38-TX-100/2R3S-XX-T
1-1/4"	38-TX-125/2R4S-XX-T
1-1/2"	38-TX-150/2R5S-XX-T
2"	38-TX-200/2R6S-XX-T



#### OPTIONS

DESCRIPTION	PART NO. SUFFIX	DESCRIPTION	PART NO. SUFFIX
NEMA 4 Solenoid	(A)	NEMA 4 Limit Switch (2) spdt	(A)
NEMA 7 Solenoid	(B)	NEMA 7 Limit Switch (2) spdt	(B)

Other options available - call for details  
Specify flow pattern when ordering (see back)  
Actuators are sized based on clean/clear fluid.



Triac Division  
11363 Deerfield Rd.  
Cincinnati, Ohio 45242  
PHONE (513) 247-5465  
FAX (513) 247-5462  
e-mail: sales@a-tcontrols.com  
www.a-tcontrols.com