

Installation guide

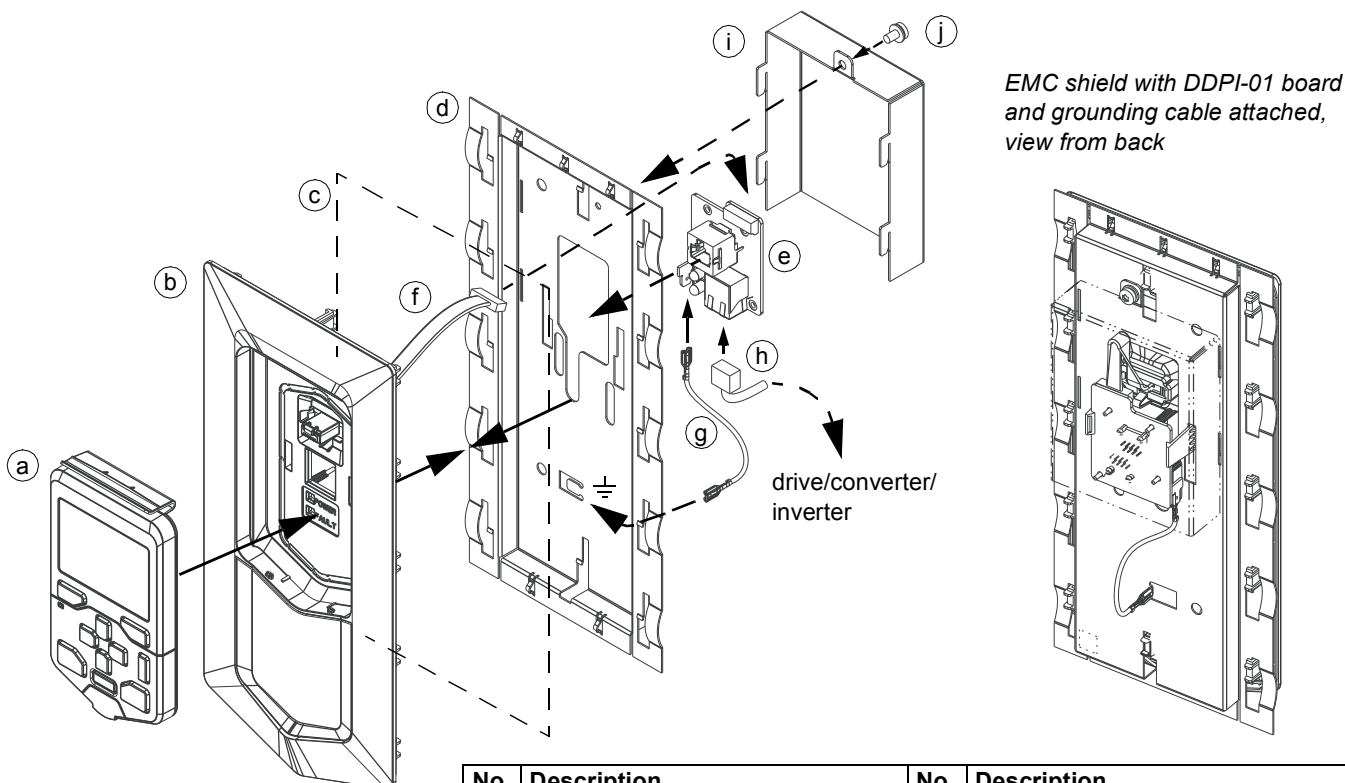
DPMP-01 mounting platform for control panels

Compatibility and delivery check

Compatible control panels are ACS-BP-S, ACS-AP-S, ACS-AP-I, ACS-AP-W, ACH-AP-H and ACH-AP-W. Contents of the package is shown below. Note that the control panel is not included. Check that all items are present and there are no signs of damage.

Installation instructions

1. Cut a hole in the cabinet door (c). See the [Dimension drawing](#) on next page.
2. Insert the mounting platform (b) into the hole (c). Hold the platform on place.
3. On the other side of the door, lead the flat cable (f) through the EMC shield (d). Attach the shield: fit the holes of the shield to the guides of the platform and slide the shield downwards.
4. Connect the flat cable (f) to the DDPI-01 board (e), and snap the board under the plastic clips.
5. Bend the grounding tab and connect the grounding wire (g).
6. Connect the panel bus cable (h) to the DDPI board (e), and to the drive/converter/inverter.
7. Insert the plastic board cover (i) to the EMC shield (d) by its hooks and screw (j).
8. Attach the control panel (a).

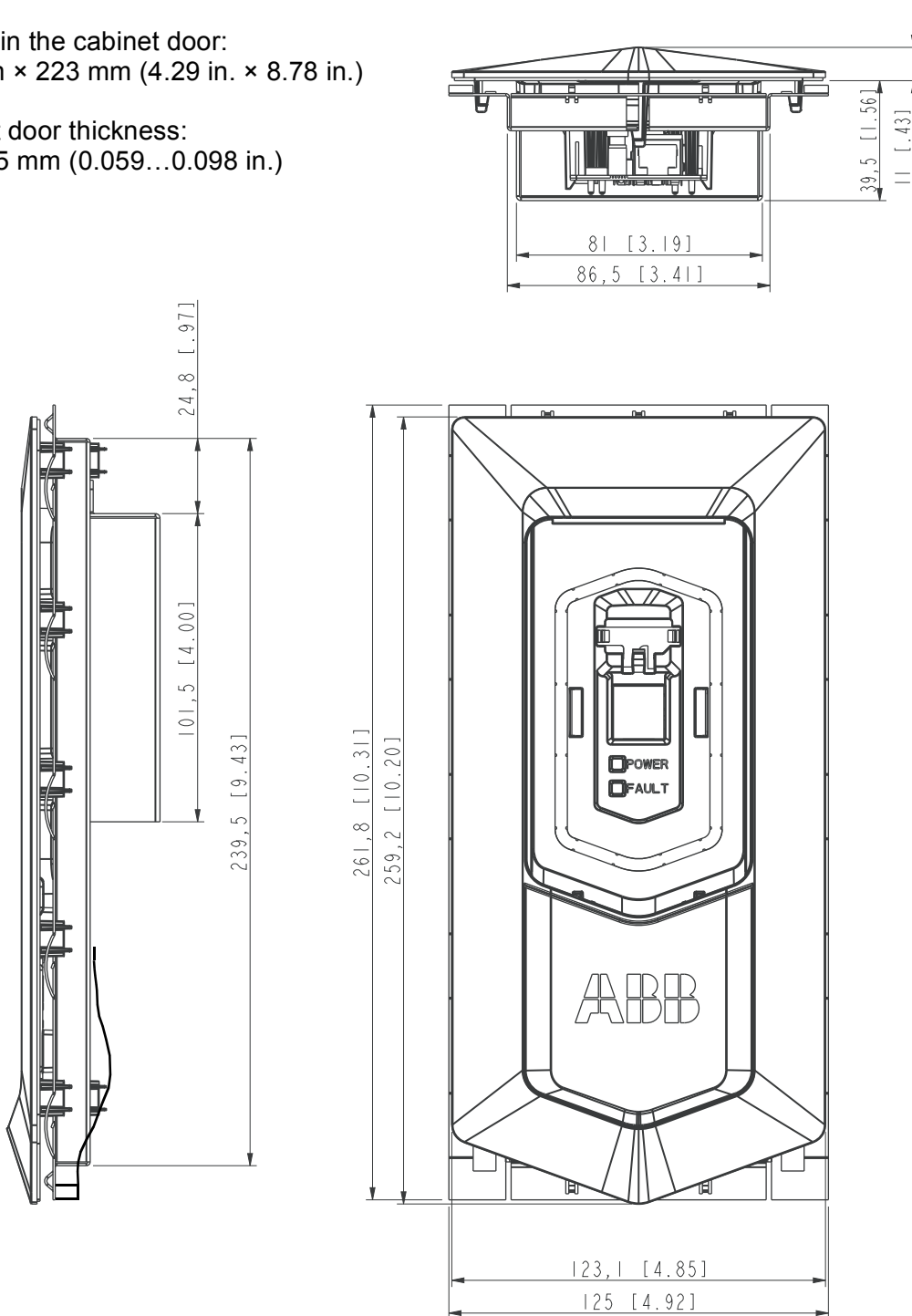


No.	Description	No.	Description
a	Control panel (not included)	f	Flat cable
b	Control panel mounting platform	g	Grounding wire
c	Hole in the cabinet door for installation	h	Panel bus cable (3 m, CAT5, straight)
d	EMC shield	i	Board cover
e	DDPI-01 panel interface board	j	M4×8 combi screw

Dimension drawing

Cutting in the cabinet door:
109 mm × 223 mm (4.29 in. × 8.78 in.)

Cabinet door thickness:
1.5...2.5 mm (0.059...0.098 in.)



Technical data

Degree of protection: IP54 / UL Type 12 when panel is mounted, IP20 when panel is not mounted. LED indications: DDPI-01 panel interface board has two LEDs that are controlled by the drive. For more information, see the drive hardware manual.

<http://www.abb.com/drives>

<http://www.abb.com/solar>

<http://www.abb.com/windpower>