



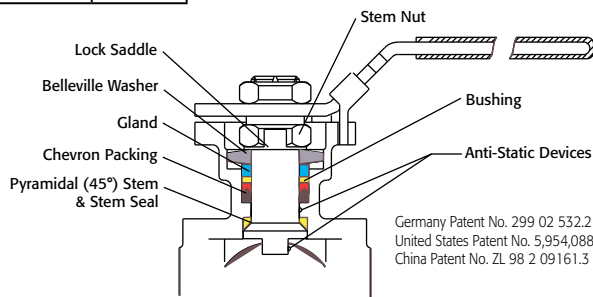
Triac 77 Series Ball Valves feature a high quality 316L investment casting. They are available with sanitary clamp or tube OD ends. Select the cavity filled or non-cavity filled design.

Superior leak protection is accomplished by using a live-loaded packing system featuring Belleville washers and double "V" ring packing. An ISO 5211 mounting pad is provided for easy automation.

VALVE SIZE	VALVE Cv
1/2"	10
3/4"	30
1"	65
1-1/2"	200
2"	410
2-1/2"	600
3"	1,050
4"	1,900

Excellent for:

- Pharmaceutical
- Food and Beverage
- Paint and Solvents
- Viscous Fluids
- Confectionaries



Easy to Automate!

See automated data sheets for pre-sized assemblies



Pneumatic



Electric



Series 77 Sanitary End 3-Piece Design

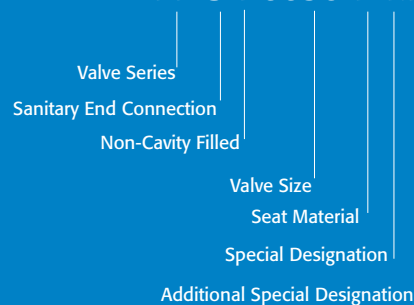
- Sizes 1/2" - 4"
- 800/1000 PSI WOG (by size)
- Available in 316L
- Cavity Filled and Non-Cavity Filled
- Sanitary Clamp Ends or Tube OD Ends
- Tube Pipe Design
- Superior Live Loaded Packing System
- ISO 5211 Actuator Mounting Pad
- Blowout Proof Stem w/ Dual Anti-Static Device
- Pyramidal Stem Seal Design
- Lockable Manual Handle

STANDARDS

Design	ANSI/ASME B16.34
End Connections	ANSI/ASME BPE-1997/2000
Pressure Testing	API 598
Mounting	ISO 5211
Marking System for Valves	MSS SP-25, ISO 5209
CE Approval	PED 97/23/EC Module H
Safety Integrity	IEC 61508:2010; SIL 3
Material Certification	EN 10204-3.1 MTR
Quality Assurance	ISO 9001:2008

HOW TO ORDER MANUAL VALVES

SAMPLE PART #
77-SA-0050-P-XX



See part number matrix for itemized options



9955 International Blvd.
Cincinnati, Ohio 45246
www.atcontrols.com

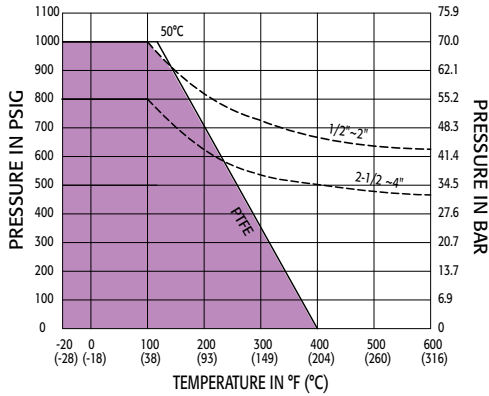
PHONE (513) 247-5465
FAX (513) 247-5462
sales@atcontrols.com

Series 77

3-Piece Sanitary End Ball Valve Tube Pipe Design

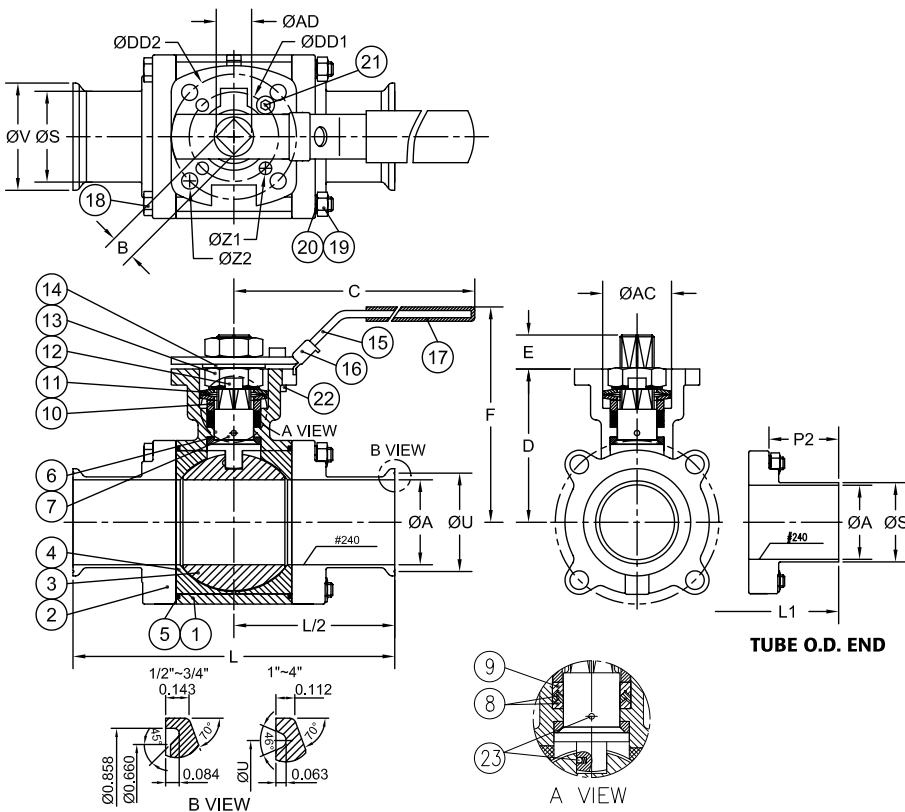
With or without cavity filler
240 Grit Internal Polish
Standard (15-20 RA)

Pressure vs. Temperature Chart
for PTFE Seats



Breakaway Torques for PTFE		
Size	Non-Cavity Filled	Cavity Filled
1/2"	80	95
3/4"	90	100
1"	142	160
1-1/2"	319	410
2"	390	490
2-1/2"	806	1010
3"	921	1075
4"	1317	1400

CONSULT FACTORY FOR OTHER SEAT MATERIALS



MATERIALS LIST

NO.	PART NAME	QTY.	MATERIAL
1	BODY	1	ASTM A351 GRADE CF3M
2	END CAP	2	ASTM A351 GRADE CF3M
3	BALL	1	ASTM A276 GRADE CF3M
4	SEAT	2	PTFE
5	JOINT GASKET	2	PTFE
6	STEM SEAL	1	PTFE
7	STEM	1	ASTM A276 SS 316L
8	GLAND PACKING	1	PTFE
9	GLAND WASHER	1	RTFE
10	GLAND BUSHING	1	AISI 304
11	BELLEVILLE WASHER	2	AISI 301
12	LOCK SADDLE	1	AISI 304
13	STEM NUT	2	AISI 304
14	STEM WASHER	1	AISI 304
15	HANDLE	1	AISI 304
16	HANDLE LOCK	1	AISI 304
17	HANDLE SLEEVE	1	VINYL
18	BODY BOLT	#	**
19	BODY BOLT NUT	&	##
20	WASHER	&	AISI 304
21	STOP BOLT	1	AISI 304
22	BOLT NUT	1	AISI 304
23	ANTI-STATIC DEVICE	2	AISI 316

FOR 1/2"-3" - 4 PCS ; FOR 4" - 6 PCS
& FOR 1/2"-2" - 4 PCS ; FOR 2-1/2"-3" - 8 PCS; FOR 4" - 12 PCS
**FOR 1/2"-2" - ASTM A193 GRADE B8; FOR 2-1/2"-4" - ISO 3506-1 A2-70
FOR 1/2"-2" - ASTM A194 GRADE 8; FOR 2-1/2"-4" - ISO 3506-2 A2-70

DIMENSIONS (IN)

Tube O.D. according to ASME BPE 1997/2000

SIZE	A	B	C	D	DD1	DD2	E	F	L	L1	P2	S	U	V	Z1	Z2	AC	AD	(LBS)	ISO 5211
1/2"	0.37	0.354	5.47	1.66	1.417	1.654	0.25	3.03	3.51	5.50	1.92	0.50	-	0.99	0.24	0.24	0.92	0.430	1.5	F03/F04
3/4"	0.62	0.354	5.47	1.89	1.417	1.654	0.27	3.27	4.00	5.75	1.96	0.75	-	0.99	0.24	0.24	0.92	0.430	1.8	F03/F04
1"	0.87	0.433	6.50	2.23	1.654	1.969	0.44	3.74	4.51	6.25	2.00	1.00	1.71	1.99	0.24	0.28	1.14	0.563	2.7	F04/F05
1-1/2"	1.37	0.551	8.47	3.05	1.969	2.756	0.56	5.00	5.52	7.50	2.23	1.50	1.71	1.99	0.28	0.34	1.54	0.744	7.0	F05/F07
2"	1.87	0.551	8.47	3.35	1.969	2.756	0.56	5.28	6.26	8.50	2.46	2.00	2.20	2.52	0.28	0.34	1.54	0.744	9.8	F05/F07
2-1/2"	2.37	0.669	11.81	4.28	2.756	4.016	0.67	6.54	6.85	9.75	2.55	2.50	2.78	3.05	0.34	0.47	2.07	0.885	19.6	F07/F10
3"	2.87	0.669	14.57	4.63	2.756	4.016	0.71	6.93	7.61	10.50	2.69	3.00	3.28	3.58	0.34	0.47	2.07	0.885	25.9	F07/F10
4"	3.83	0.748	14.57	5.22	2.756	4.016	0.67	7.48	8.90	12.50	3.14	4.00	4.34	4.68	0.34	0.47	2.07	0.885	47.4	F07/F10