

Type 1290 Direct Drive Process Pressure Gauge



FEATURES

- Inconel X-750 Sensing Element
- Simple Gearless Movement
- Selection of Measurement Units (psig and dual scale, kg/cm²/psi)
- Optional NIST Traceable Calibration Chart

APPLICATIONS

Ideal for applications where shock and vibration are present

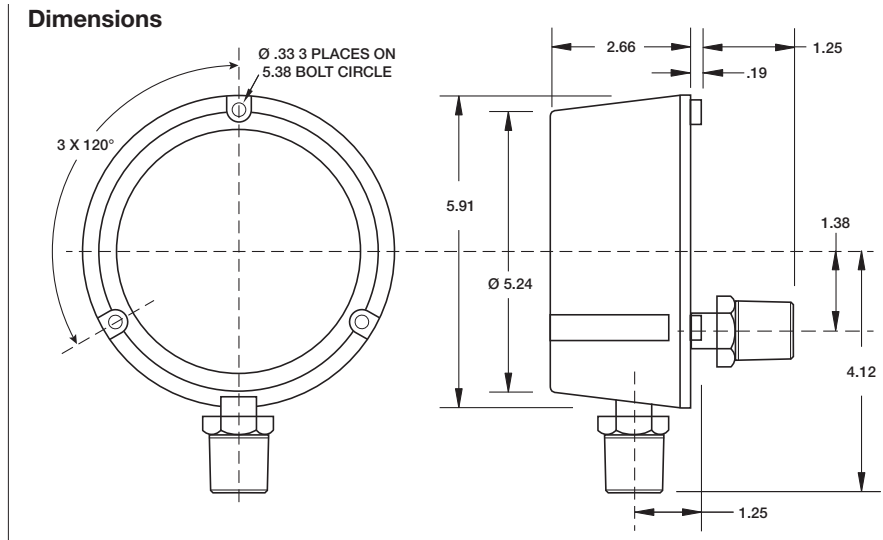
PRODUCT SPECIFICATIONS

Model Number:	1290
Accuracy:	½% full scale (Grade 2A, ASME B40.100)
Ranges:	15psi to 2000psi
Dial Size:	4½" diameter
Case Material:	ABS Thermoplastic
Ring:	Snap, 302 SS
Back Cover:	Thermoplastic
Window:	Acrylic
Dial:	White-coated SS
Pointer:	Aluminum
Sensing Element:	Inconel X-750
Bourdon Tube:	Inconel X-750, 304SS capillary
Socket Material:	316L SS
Conn. Size:	¼", ½" NPT
Conn. Location:	Lower or back

OPTIONS

• Calibration Chart	(C4)
• Wired St. St. Tag	(NH)
• Regular Glass	(RG)
• Front Flange (back connect only)	(FF)

Type 1290 Direct Drive Process Pressure Gauge



Order Coding Example

45	1290	(WD)	02	L	C4	15#		
SIZE	TYPE	SENSING ELEMENT	CONN. SIZE	CONN. LOCATION)	OPTIONS (X VARIATIONS)	PRESSURE RANGES*		
						PSI	DUAL SCALE	
45 4½	1290 Direct Drive Gauge	(WD) Inconel X750, SS Socket	02 ¼ NPT	(L) Lower	(C4) Calibration Chart	15	(inner)	(outer)
						30	KSC	PSI
						60	2	0/30
						100	7	0/100
						150	11	0/160
						160	14	0/200
			04 ½ NPT	(RG) Regular Glass	200	21	0/300	
					300	28	0/400	
					400	35	0/500	
					500	42	0/600	
					600	70	0/1000	
					800	105	0/1500	
(FF) Front Flange*	1000	120	0/2000					
	1500							
			2000					