

# Direct Mounted Dial Thermometer

3 1/2" Stainless Steel Case & 4 1/2" Cast Aluminum Case • Adjustable Angle

DIAL THERMOMETERS



V80445 shown

- ▶ 3 1/2", 4 1/2" Dial Sizes
- ▶ ± 1 Scale Division Accuracy
- ▶ Stainless Steel or Cast Aluminum Case
- ▶ Vapor or Liquid Actuated

The Trerice **Adjustable Angle Dial Thermometer** is intended for use within the construction and HVAC industries. Once the sensing bulb has been installed, the angle of the dialface may be adjusted forward and backward to provide maximum readability. This instrument is available in 3 1/2" and 4 1/2" dial sizes with a flangeless, stainless steel or cast aluminum case.

- Optional features available: Please consult the Optional Features Section for details.

#### Thermowell

- For applications where the process media may be corrosive or contained under pressure, the use of a thermowell is required to prevent damage to the thermometer and facilitate its removal from the process.

(Refer to page 162)

## Specifications

Models	Dial Sizes	Case Styles
80030	3 1/2"	Adjustable Angle



80445 (Vapor Only)	4 1/2"	Adjustable Angle
-----------------------	--------	------------------



**Movement** Brass

#### Case Material

**80030:** Stainless steel  
**80445:** Cast aluminum, black finish

#### Window

**80030:** Acrylic, snap-in with Nitrile O-ring seal  
**80445:** Clear glass

#### Ring

**80030:** None  
**80445:** Friction-type, stainless steel

#### Pointer

Adjustable, black finish

#### Dialface

Aluminum, white background with black graduations and markings

#### Accuracy

±1 scale division

#### Approximate Shipping Weight

80030: 1.3 lbs [0.59 kg]  
80445: 1.4 lbs [0.64 kg]

## HOW TO ORDER

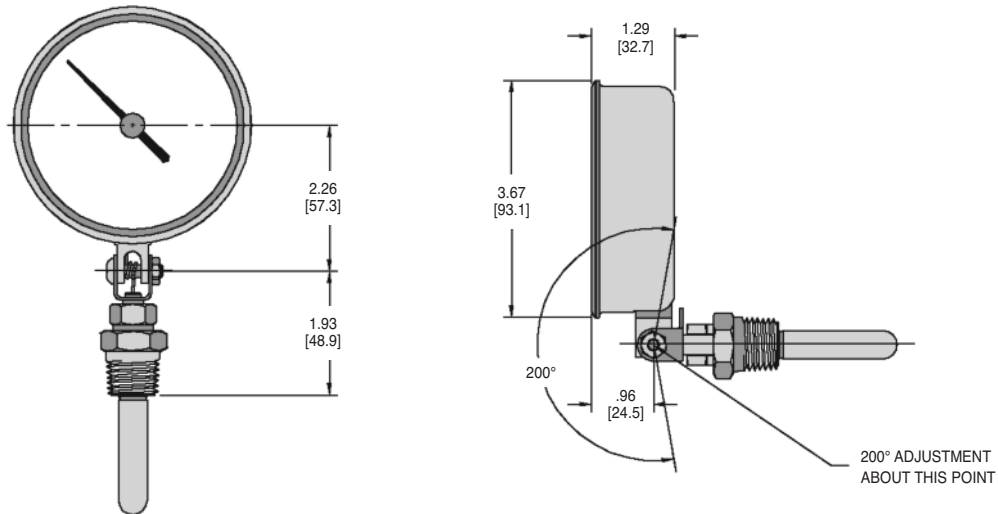
Sample Order Number: **V 80445 110 B31**

Actuation	Model	Specific Range	Thermal System
V Vapor L Liquid	<b>80030</b> <b>80445</b> (vapor only)	See Standard Ranges	See Thermal System Selection (pages 120-121)*

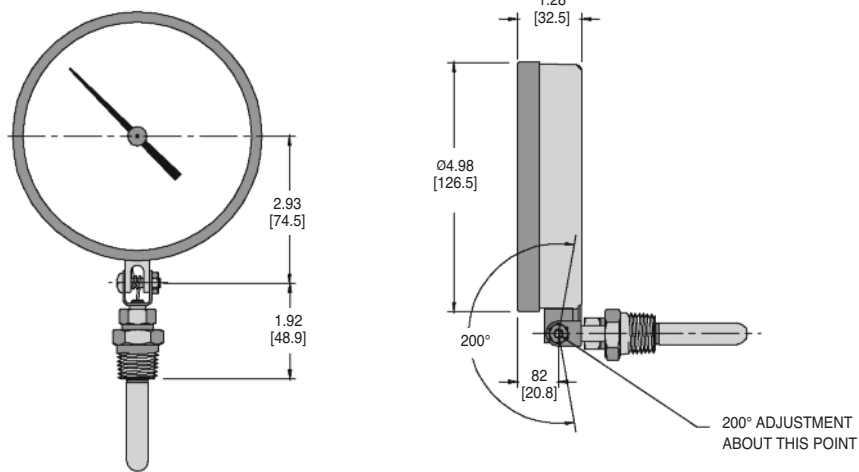
Stainless steel thermal system not available with V80445.

All dimensions are nominal. Dimensions in [ ] are in millimeters.

**80030**



**80445**



**Standard Ranges (Dual Scale includes both Fahrenheit & Celsius)**

Vapor Actuated					Liquid Actuated				
Fahrenheit Scale Range Code	Fahrenheit Scale Range	Celsius Scale Range Code	Celsius Scale Range	Dual Scale Range Code	Fahrenheit Scale Range Code	Fahrenheit Scale Range	Celsius Scale Range Code	Celsius Scale Range	Dual Scale Range Code
030	-40° to 150°F	430	-40° to 65°C	230	020	-40° to 120°F	420	-40° to 50°C	220
040	-20° to 100°F	440	-30° to 40°C	240	050	0° to 100°F	450	-20° to 40°C	250
050	0° to 100°F	450	-20° to 40°C	250	060	0° to 160°F	460	-20° to 70°C	260
065	0° to 160°F	465	-20° to 70°C	265	100	30° to 180°F	495	0° to 80°C	300
100	30° to 180°F	500	0° to 85°C	300	110	30° to 240°F	510	0° to 115°C	310
110	30° to 240°F	510	0° to 115°C	310	130	50° to 300°F	530	10° to 150°C	330
120	30° to 300°F	520	0° to 150°C	320					
145	100° to 350°F	545	40° to 180°C	345					
160	200° to 450°F	560	90° to 230°C	360					