

Compact Product Suite Panel 800 Version 6 PP886H Hardware and Installation

Panel 800 Version 6 - PP886H

Hardware and Installation

NOTICE

This document contains information about one or more ABB products and may include a description of or a reference to one or more standards that may be generally relevant to the ABB products. The presence of any such description of a standard or reference to a standard is not a representation that all of the ABB products referenced in this document support all of the features of the described or referenced standard. In order to determine the specific features supported by a particular ABB product, the reader should consult the product specifications for the particular ABB product.

ABB may have one or more patents or pending patent applications protecting the intellectual property in the ABB products described in this document.

The information in this document is subject to change without notice and should not be construed as a commitment by ABB. ABB assumes no responsibility for any errors that may appear in this document.

Products described or referenced in this document are designed to be connected, and to communicate information and data via a secure network. It is the sole responsibility of the system/product owner to provide and continuously ensure a secure connection between the product and the system network and/or any other networks that may be connected.

The system/product owners must establish and maintain appropriate measures, including, but not limited to, the installation of firewalls, application of authentication measures, encryption of data, installation of antivirus programs, and so on, to protect the system, its products and networks, against security breaches, unauthorized access, interference, intrusion, leakage, and/or theft of data or information.

ABB verifies the function of released products and updates. However system/product owners are ultimately responsible to ensure that any system update (including but not limited to code changes, configuration file changes, third-party software updates or patches, hardware change out, and so on) is compatible with the security measures implemented. The system/product owners must verify that the system and associated products function as expected in the environment they are deployed.

In no event shall ABB be liable for direct, indirect, special, incidental or consequential damages of any nature or kind arising from the use of this document, nor shall ABB be liable for incidental or consequential damages arising from use of any software or hardware described in this document.

This document and parts thereof must not be reproduced or copied without written permission from ABB, and the contents thereof must not be imparted to a third party nor used for any unauthorized purpose.

The software or hardware described in this document is furnished under a license and may be used, copied, or disclosed only in accordance with the terms of such license. This product meets the requirements specified in EMC Directive 2014/30/EU and in Low Voltage Directive 2014/35/EU.

TRADEMARKS

All rights to copyrights, registered trademarks, and trademarks reside with their respective owners.

Copyright © 2015–2016 ABB.
All rights reserved.

Release: December 2016
Document number: 3BSE069471-600 Rev C

CONTENTS

Section 1 - Introduction

General	9
Warning, Caution, Information, and Tip Icons	10

Section 2 - Safety Precautions

General	11
Disposal Requirements Under WEEE Regulations	12
UL, cUL, ATEX, and IECEx Installation	12
High Potential Testing	14
During Installation	14
During Use	15
Service and Maintenance	15
Dismantling and Scrapping	16

Section 3 - Installation

Space Requirements	17
Installation Process	18
Connections to the Controller	20
Hazardous Location Installation	21
Other Connections and Peripherals	21

Section 4 - Technical Data

Section 5 - Chemical Resistance

Metal Casing	27
Touch Screen and Overlay Material	29
Autoflex EB	29
Touch Screen Surface	30
Touch Screen Protection Film	30

Terminal to Panel Gasket 31

Section 6 - Operator Panel Drawings

Connectors 33
Communication Ports 34
PP886H Outline 35

Section 7 - Additional Installation Tips

Grounding the operator panel 37
Ethernet Connection in the Operator Panel 39
To Achieve Better EMC Protection 41
Ambient Temperature 42
Safety 44
Galvanic Isolation 45
Cable and Bus Termination RS485 46
COM Port Common-Mode Voltage 47

Section 1 Introduction

General

All Panel 800 Version 6 are developed to satisfy the demands of human-machine communication. Built-in functions such as displaying and controlling text, dynamic indication, time channels, alarm and recipe handling are included.

The Panel 800 Version 6 works primarily in an object-oriented way, making it easy to understand and use. Configuration is carried out on a PC using the Panel Builder configuration tool. The project can then be transferred and stored in the operator panel itself.






Various types of automation equipment such as PLCs, servos or drives can be connected to the Panel 800 Version 6. In this manual, the term “the controller” refers to the connected equipment.

This manual explains how to install the operator panel. Please refer to the Panel Builder **Programming and Installation** manual for further information.

Description	User Documentation
Initial release of PP886H	3BSE069471-600
Disposal requirements under WEEE regulations. Updated UL information	3BSE069471-600 Rev A

Warning, Caution, Information, and Tip Icons

This publication includes Warning, Caution, and Information where appropriate to point out safety related or other important information. It also includes Tip to point out useful hints to the reader. The corresponding symbols should be interpreted as follows:

	Electrical warning icon indicates the presence of a hazard which could result in electrical shock.
	Warning icon indicates the presence of a hazard which could result in personal injury.
	Caution icon indicates important information or warning related to the concept discussed in the text. It might indicate the presence of a hazard which could result in corruption of software or damage to equipment/property.
	Information icon alerts the reader to pertinent facts and conditions.
	Tip icon indicates advice on, for example, how to design your project or how to use a certain function.

Although **Warning** hazards are related to personal injury, and **Caution** hazards are associated with equipment or property damage, it should be understood that operation of damaged equipment could, under certain operational conditions, result in degraded process performance leading to personal injury or death. Therefore, **fully comply** with all **Warning** and **Caution** notices.

Section 2 Safety Precautions

Both the installer and the owner and/or operator of the operator panel must read and understand this installation manual.

General

- Read the safety precautions carefully.
- Check the delivery for transportation damage. If damage is found, notify the supplier as soon as possible.
- The supplier is not responsible for modified, altered or reconstructed equipment.
- Use only parts and accessories manufactured according to specifications of the supplier.
- Read the installation and operating instructions carefully before installing, using or repairing the operator panel.
- Never allow fluids, metal filings or wiring debris to enter any openings in the operator panel. This may cause fire or electrical shock.
- Only qualified personnel may operate the operator panel.
- Storing the operator panel where the temperature is lower/higher than recommended in this manual can cause the LCD display liquid to congeal/become isotopic.
- The LCD display liquid contains a powerful irritant. In case of skin contact, wash immediately with plenty of water. In case of eye contact, hold the eye open, flush with plenty of water and get medical attention.
- The figures in this manual serves an illustrative purpose. Because of the many variables associated with any particular installation, the supplier cannot assume responsibility for actual use based on the figures.

- The supplier neither guarantees that the operator panel is suitable for your particular application, nor assumes responsibility for your product design, installation or operation.
- It is recommended to turn on and shut down the operator panel at least once before installing any components/cards or before connecting the operator panel to external devices, like for example serial devices.
- This operator panel is certified to operate in a Class I, Division 2, Group A, B, C and D hazardous environment. The operator panel must be installed and operated as described in this document to meet this certification.
- Observe precautions for handling electrostatic discharge sensitive devices.

Disposal Requirements Under WEEE Regulations

For professional users in the European Union: If you wish to discard electrical and electronic equipment (EEE), please contact your dealer or supplier for further information.

For disposal in countries outside of the European Union: If you wish to discard this product please contact your local authorities or dealer and ask for the correct method of disposal.

UL, cUL, ATEX, and IECEx Installation

- All devices have to be supplied by a Class 2 power supply.



II 3 G D
DEMKO 16 ATEX 1628X
IECEx UL 16.0086X



Do not separate when energized.

AVERTISSEMENT, NE PAS SEPARER SOUS TENSION.



Do not open when an explosive atmosphere is present.

NE PAS OUVRIR SI UNE ATMOSPHERE EXPLOSIVE EST PRÉSENT.



Battery may explode if mistreated. Do not recharge, disassemble or dispose of in fire.

This product contains a BR2330A battery that is not user replaceable.

LA BATTERIE PEUT EXPLOSER EN CAS DE MAUVAISE MANIPULATION. NE LA RECHARGEZ PAS, NE LA DÉMONTÉZ PAS ET NE LA JETÉZ PAS DANS LE FEU.

CE PRODUIT CONTIENT UNE PILE BR2330A QUI NE PEUT PAS ÊTRE REMPLACÉE PAR L'UTILISATEUR.



Potential electrostatic charging hazard, see instructions.

To avoid electrostatic charge build-up, it must not be rubbed or cleaned with solvents or a dry cloth when installed/used within a potentially explosive atmosphere.

POTENTIEL ÉLECTROSTATIQUE RISQUE DE CHARGEMENT, VOIR INSTRUCTIONS.



Explosion hazard! Substitution of components may impair suitability for Class I, Division 2.

RISQUE D'EXPLOSION! LA SUBSTITUTION DE COMPOSANTS PEUT NUIRE À LA CONFORMITÉ DE CLASSE I, DIVISION 2.

- Use minimum 75°C copper conductors only.
- To make wiring connections to the power supply connector, follow the table with cable and torque specifications below:

Terminal Block Connector	Wire Size	TQ
Phoenix Contact	0.5-3.3 mm ²	0.6 to 0.8 Nm



The equipment shall be installed in an enclosure that provides a degree of protection not less than IP 65 in accordance with IEC/EN 60079-0 when used in Zone2/22 applications. However, since the unit is IP65 rated it can be deployed in an IP65 ATEX/IECEX Zone 2 area if enclosed in an IP65 rated enclosure. The inside of the enclosure the device is mounted in shall not be more than pollution degree 2, as defined in IEC/EN 60664-1.

CET ÉQUIPEMENT EST TESTÉ EN TANT QUE COMPOSANT ET DOIT ÊTRE INSTALLÉ DANS UN BOÎTIER AVEC INDICE DE PROTECTION IP65 MINIMUM.



Temperature code T4 IEC/EN 60079-0 (2012) and IEC/EN 60079-15 (2010).

Protection string Ex nA nC T4 IIC Gc and Ex tc IIIC T74C Dc.

CODES DE TEMPÉRATURE T4 IEC/EN 60079-0 (2012) ET IEC/EN 60079-15 (2010).

CHAÎNE DE PROTECTION Ex nA nC T4 IIC Gc ET Ex tc IIIC T74C Dc.

High Potential Testing

Each panel is high-pot (high potential) tested prior to shipment. After high-pot testing, surge arresting devices that enhance surge robustness are installed into the panel. After placement, these devices cause the panel to fail the high-pot testing.



If in-field high-pot testing is required contact ABB.

During Installation

- The operator panel is designed for stationary installation on a planar surface, where the following conditions are fulfilled:
 - no high explosive risks
 - no strong magnetic fields
 - no direct sunlight
 - no large, sudden temperature changes
- Install the operator panel according to the accompanying installation instructions.

- Ground the operator panel according to the accompanying installation instructions.
- Only qualified personnel may install the operator panel.
- Separate the high voltage, signal and supply cables.
- Make sure that the voltage and polarity of the power source is correct before connecting the operator panel to the power outlet.
- Peripheral equipment must be appropriate for the application and location.
- In a Zone 2 environment, this equipment shall be installed in an enclosure that provides a degree of protection not less than IP 54 or greater than IP 65 in accordance with IEC/EN 600079-0. The IP rating of the equipment is limited to the IP rating of the enclosure it is to be installed into.
- In a Zone 22 environment, this equipment shall be installed in an enclosure that provides a degree of protection not less than IP 64 or greater than IP 65 in accordance with IEC/EN 600079-0. The IP rating of the equipment is limited to the IP rating of the enclosure it is to be installed into.

During Use

- Keep the operator panel clean.
- Emergency stop and other safety functions may not be controlled from the operator panel.
- Do not use excessive force or sharp objects when operating the touch screen.

Service and Maintenance

- Only qualified personnel should carry out repairs.
- The agreed warranty applies.
- Before carrying out any cleaning or maintenance operations, disconnect the equipment from the electrical supply.
- Clean the display and surrounding front cover with a soft cloth and mild detergent.

- The battery must be replaced by an authorized ABB service center.

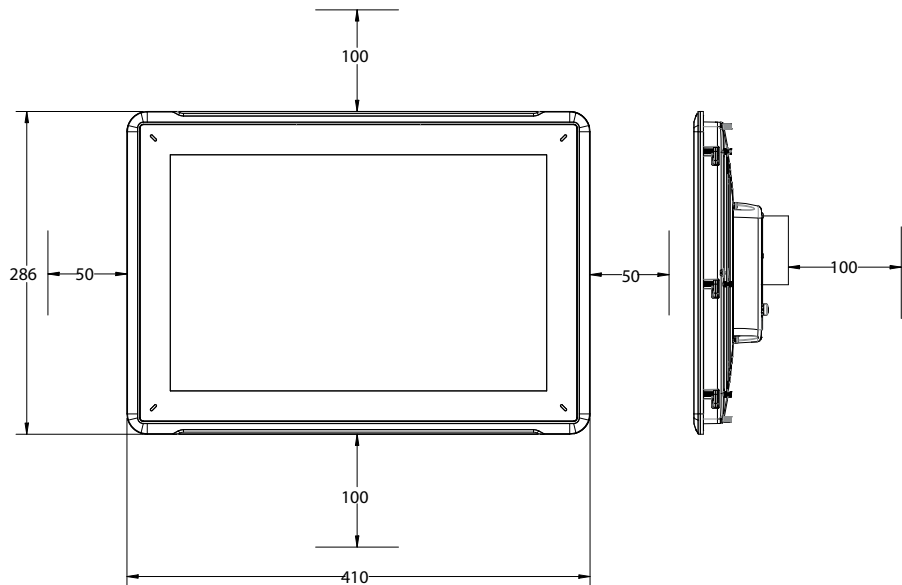
Dismantling and Scrapping

- The operator panel or parts thereof shall be recycled according to local regulations.
- The following components contain substances that might be hazardous to health and the environment: lithium battery, electrolytic capacitor and display.

Section 3 Installation

Space Requirements

- Maximum installation plate thickness: 7 mm
- Space requirements in millimeters when installing the operator panel:

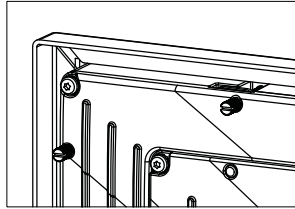


The dimensions on the drawing are not proportional.

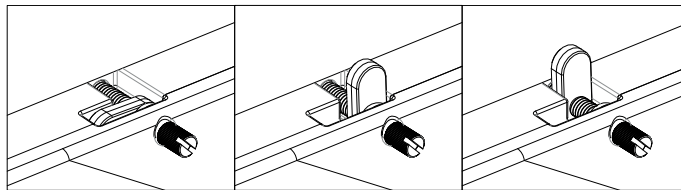
Installation Process

A Thumb Screw Installation Tool (provided) or a slotted screwdriver is required for installation.

1. Unpack and check the delivery. If damage is found, notify the supplier.
2. Place the operator panel on a stable surface during installation. Dropping the operator panel or letting it fall may cause damage.
3. To cut a correct opening for the operator panel, use the cut out dimensions in the outline drawing. For more information, see sections [Operator Panel Drawings](#) and [Technical Data](#).
4. Install the operator panel into the cutout with the terminal mounting ring on the inside of the mounting panel .



5. Secure the operator panel in position by screwing the slotted thumb screw clockwise, allowing the built-in bracket to flip out and tighten against the cabinet. Tighten the screws (12) to $0.7 \text{ Nm} \pm 0.2 \text{ Nm}$.



6. For most applications, the provided Thumb Screw Installation Tool provides adequate torque. In cases where the front panel seal (IP54 or greater, NEMA-4X) is critical, a torque wrench should be used to ensure all twelve screws are torqued within the specification above.

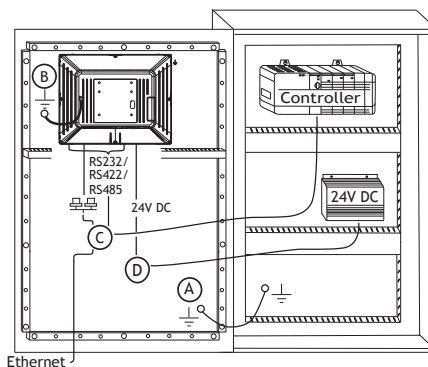


Figure 1. Thumb Screw Installation Tool

7. Connect the cables in the specified order, according to the drawing and steps below.



- The operator panel must be brought to ambient temperature before it is started up. If condensation forms, ensure that the operator panel is dry before connecting it to the power outlet.
- Ensure that the operator panel and the controller system have the same electrical grounding (reference voltage level), otherwise errors in communication may occur.
- Ensure that the voltage and polarity of the power source is correct.
- Separate high voltage cables from signal and supply cables.
- Shielded communication cables are recommended.



- Use 0.5-3.3 mm² (Torque 0.6 to 0.8 Nm) wire for the power connections.
- Connect cable A.
- Connect cable B, using the provided M5 steel screw with zinc plating and a grounding conductor (wire 2.08–0.52 mm² (Torque 1.8 to 2.2 Nm, as short as possible), that is sized correctly according to local electrical codes.
- Connect cable C.
- Connect cable D. .

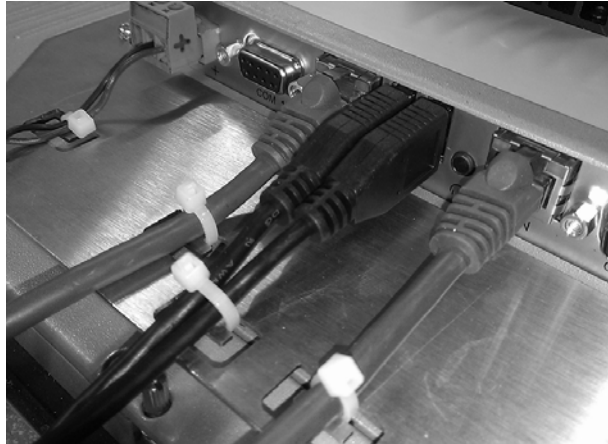
8. Carefully remove the protective film over the operator panel display, take care to avoid static electricity that could damage the panel.

Connections to the Controller

For information about the cables to be used when connecting the operator panel to the controller, please refer to the help file for the driver in question.

Hazardous Location Installation

Connect the desired cables and attach them to strain relief plate with cable ties provided.



Other Connections and Peripherals

Cables, peripheral equipment and accessories must be suitable for the application and its environment. For further details or recommendations, please refer to the supplier.

Section 4 Technical Data

Parameter	PP886H
Display	15.4"
Front panel, W × H × D	410 × 286 × 7 mm
Cut out dimensions, W × H	394 ± 1 mm × 270 ± 1 mm. Maximum corner radius: 4 mm. For IP54 or greater/NEMA-4X, panel must maintain a flatness < 1 mm overall and < 0.05 mm/mm with a surface roughness, $R_a < 1.6 \mu\text{m}$.
Mounting depth	76 mm (176 mm including clearance)
Front panel seal	IP 65, NEMA-4X
Rear panel seal	IP 20
Touch screen material	Polyester on glass, resistive. Overlay: Autoflex EB ⁽¹⁾ .
Touch screen operations	5 million finger touch operations
Reverse side material	Powder-coated aluminum
Frame material	Powder-coated aluminum
Weight	4.54 kg
Serial port for COM1 RS232 and COM2 RS422/RS485	9-pin D-sub contact with RS232 RTS/CTS, chassis-mounted female with standard locking screws 4-40 UNC
Ethernet	1 × 10/100 Base-T (shielded RJ45) 1 × 10/100/1000 Base-T (shielded RJ45)
USB	3 × USB Host 2.0, max output current 500 mA
Processor	Intel® Atom

Parameter	PP886H
External storage media	1 × SD card (optional)
Flash memory (application memory)	4 GB SLC (3.5GB)
Memory RAM	1 GB
LED	1 × multi-color
Real time clock	Yes (on chip)
Battery	BR 2330A
Power consumption at rated voltage 12 V / 24 V respectively	Standby ⁽²⁾ : 11.2 W / 12.5 W Typical ⁽³⁾ : 27.6 W / 28.8 W Estimated maximum ⁽⁴⁾ : 31.2 W / 31.2 W
Fuse	5.0 A Slow
Power supply (power range)	+12 V DC to +28 V DC (10 V DC to 32 V DC) CE: The power supply must conform with the requirements according to IEC 60950 and IEC 61558-2-4.
Display	TFT-LCD with LED backlight 1280 × 800 pixels, 16.7 million colors
Screen brightness	1000 cd/m ²
Screen viewing angle	Horizontal: 160°, Vertical: 140°
Backlight lifetime	30,000 hours
Active area of display, W × H	331.2 × 207.0 mm
Operating temperature	Minimum temperature: -30 °C Maximum temperature: 70 °C
Storage temperature	-40 °C to +85 °C
CE approvals	The equipment conforms completely with the following stated standards or technical specifications: — EMC Directive 2004/108/EC — EMC Directive 2004/108/EC + A1:2011 — Low Voltage Directive 2006/95/EC — Emission: EN 61000-6-4:2007 — Immunity: EN 61000-6-2:2005

Parameter	PP886H
Marine approval	According to valid Marine certification on Certification agencies online database. For more information, see http://www.800xahardwareselector.com and http://compacthardwareselector.com .
UL approval	According to UL Multiple Listing. For more information, see http://www.800xahardwareselector.com and http://compacthardwareselector.com . Units must be UL labelled.

- (1) See section *Chemical Resistance* for more information.
- (2) Standby mode: The backlight is turned off, there are no cabled interfaces and the CPU is below 5%.
- (3) Typical mode: The backlight is fully powered, there are no cabled interfaces and an application is running.
- (4) Estimated Maximum mode: All interfaces are cabled, all USB ports are plugged with mass-storage devices, the CPU is at 50% and audio is active.

Section 5 Chemical Resistance



If exposure to any of the below chemicals is demanded, it is recommended to first test the chemical in a hidden spot of the equipment.

Metal Casing

The frame and casing material is powder-coated aluminum. This powder paint withstands exposure to the following chemicals without visible change:

Acetic acid 10%	Phosphoric acid 4%
Citric acid 10%	Phosphoric acid 10%
Diesel	Sea water
Distilled water	Sodium chloride 2%
Edible oil	Sodium chloride 20%
Fuel oil	Sulphuric acid 20%
Hydrogen peroxide 3%	Tap water

The powder paint shows limited resistance to the following chemicals at room temperature:

Butanol	Nitric acid 3%
Hydrochloric acid 5%	Nitric acid 10%
Isopropyl alcohol	Phosphoric acid 43%
Sodium hypochlorite 10%	Turpentine

The powder paint shows little or no resistance to the following chemicals at room temperature:

Acetic acid, conc.	Methyl-ethyl ketone	Toluene
Acetone	Nitric acid 30%	Trichlorethylene
Ammonia 5%	Phenol	Xylene
Ammonia, conc.	Sodium hydroxide 5%	97 octane unleaded petrol
Ethyl acetate	Sodium hydroxide 30%	98 octane leaded petrol

Touch Screen and Overlay Material

Autoflex EB

Autoflex EB covers the overlay surrounding the screen.

Solvent Resistance

Autoflex EB withstands exposure of more than 24 hours duration under DIN 42 115 Part 2 to the following chemicals without visible change:

Ajax / Vim in solution	Downy / Lenor ⁽¹⁾	Phosphoric acid (<30%)
Alkalicarbonate solution ⁽¹⁾	Ethanol	Potassium ferricyanide
Ammonia (<40%) ⁽¹⁾	Glycerine	Potassium hydroxide (<30%)
Acetic acid (<50%)	Glycol	Pure Turpentine
Ariel powder in solution ⁽¹⁾	Gumption ⁽¹⁾	SBP 60/95 ⁽¹⁾
Bleach ⁽¹⁾	Hydrochloric acid (<36%)	Sulfuric acid (<10%)
Castor oil	Linseed oil	Tomato ketchup
Caustic soda (<40%) ⁽¹⁾	Methanol	Trichloroacetic acid (<50%)
Cutting oil	Nitric acid (<10%)	White Spirit
Cyclohexanol	Paraffin oil	Windex ⁽¹⁾
Diacetone alcohol	Persil powder in solution ⁽¹⁾	Wisk
Diesel	Petroleum spirit ⁽¹⁾	-

⁽¹⁾ Extremely faint glossing of the texture was noted.

Autoflex EB withstands DIN 42 115 Part 2 exposure of up to 1 hour duration to glacial acetic acid without visible change.

Autoflex EB is not resistant to high pressure steam at over 100 °C or the following chemicals:

Concentrated mineral acids	Benzyl alcohol
Concentrated caustic solution	Methylene chloride
Dimethyl formamide	Tetrahydrofuran

Touch Screen Surface

The touch screen surface on the operator panel withstands exposure to the following solvents without visible change:

Solvents	Time
Acetone	10 minutes
Isopropanol	10 minutes
Toluene	5 hours

Touch Screen Protection Film

Autoflex EB

It is recommended to use the Autoflex EBA 180L protection film, RX885/893, that can be ordered from ABB.

Solvent Resistance

The chemical resistance for Autoflex EB is described in section [Autoflex EB](#).

Outdoor Use

In common with all polyester based films, Autoflex EB is not suitable for use in conditions of long-term exposure to direct sunlight.



The layer structure of the touch screen contains air and in rare cases appearance of bubbles can arise. This is purely cosmetic and does not affect any functionality of the panel. The appearance can occur under certain environmental conditions such as temperature, humidity, and atmospheric pressure.

Terminal to Panel Gasket

The gasket is made of flame retardant silicone rubber. The sealing capability is unaffected by the following chemicals:

Acetic acid 10%	Nitric acid 1.5%
Ammonia 10%	Phosphoric acid 4%
Citric acid 10%	Sea water
Distilled water	Sodium chloride 2%
Edible oil	Sodium chloride 20%
Hydrogen peroxide 3%	Sodium hydroxide 30%
Isopropyl alcohol	Tap water

The flame retardant silicone rubber shows limited resistance to the following chemicals at room temperature:

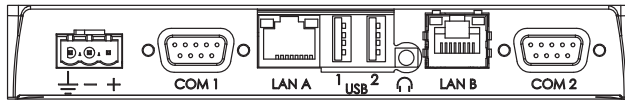
Acetic acid, conc.	Na-hypochlorite 10%
Ammonia 30%	Nitric acid 10%
Butanol	Phosphoric acid 10%
Ethyl acetate	Phosphoric acid 20%
Hydrochloric acid 37%, cold	-

The flame retardant silicone rubber shows little or no resistance to the following chemicals at room temperature:

Acetone	Methyl-ethyl ketone	Trichlorethylene
Ammonia, conc.	Nitric acid 30%	Turpentine
Diesel	Phenol	Unleaded petrol
Fuel oil	Sulphuric acid 20%	Xylene
Leaded petrol	Toluene	-

Section 6 Operator Panel Drawings

Connectors

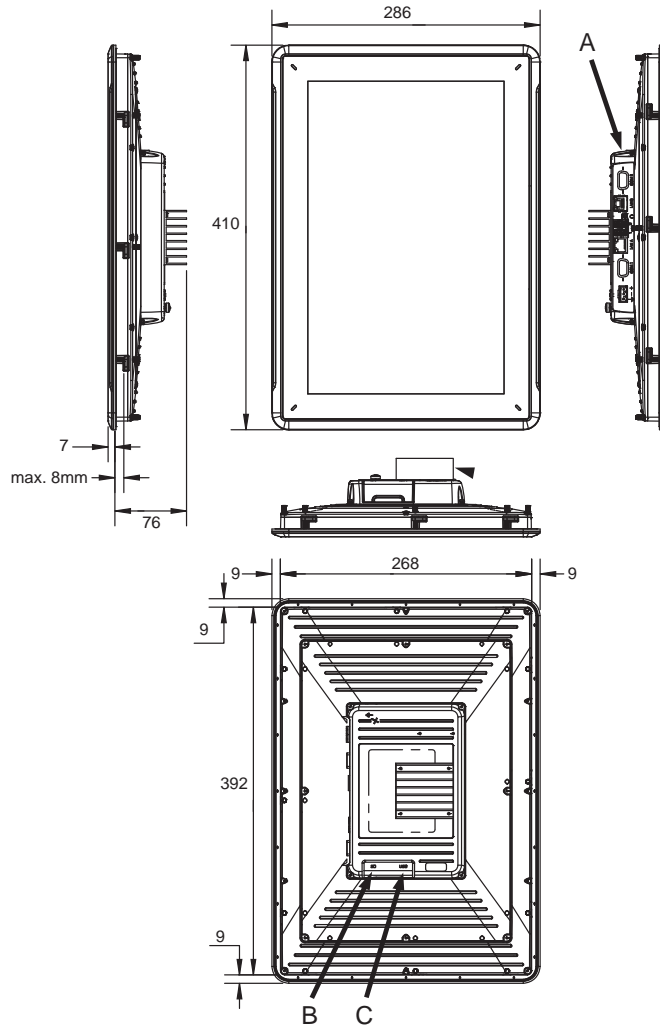


Pos.	Connector	Description
1	Power supply	+12 – +24 V DC (10 – 32 V DC)
2	COM1	RS232 Communication Port
3	LAN A	1 × 10/100 Base-T (shielded RJ45)
4	USB	2 × USB Host 2.0, max output current 500 mA
5	Headphone	Headphone Connector
6	LAN B	1 x 10/100/1000 Base-T (shielded RJ45)
7	COM2	RS422 / RS485 Communication Port

Communication Ports

Pin	Serial port, 9-pin female		
	COM1	COM2	
1	-	RS422 Tx+	RS485 Tx+/Rx+
2	RS232 RxD	-	
3	RS232 TxD	-	
4	-	RS422 Rx+	
5	GND	GND	
6	-	RS422 Tx-	RS485 Tx-/Rx-
7	RS232 RTS	RS422 RTS+	
8	RS232 CTS	RS422 RTS-	
9	-	RS422 Rx-	

PP886H Outline

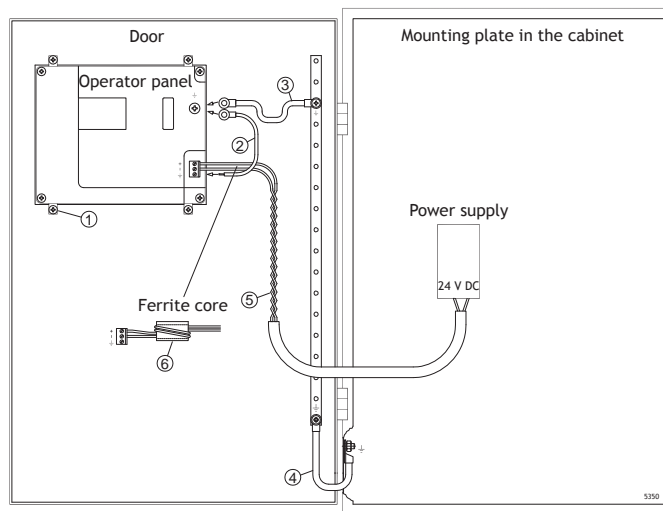


- A. Connectors
- B. SD memory card slot
- C. USB host

Section 7 Additional Installation Tips

When experiencing communication problems in for example noisy environments or when operating close to temperature limits, the following recommendations are to be noticed.

Grounding the operator panel



The mounting clamps of the operator panel do not provide a secure grounding connection between the panel and the device cabinet, see 1 in drawing above.

1. Connect a wire, that is sized correctly according to local electrical codes, between the quick-connect terminal connector on the operator panel and the chassis of the panel, see 2 in drawing above.

2. Connect a wire or grounding braid, that is sized correctly according to local electrical codes, between the chassis of the operator panel and the closest grounding point on the door, see 3 in drawing above.
3. Connect a strong but short grounding braid between the door and the device cabinet, see 4 in drawing above.
4. Twist the cables onto the 24 V DC feed, see 5 in drawing above.
2 turns around the ferrite core provide 4 times the suppression of 1 turn.
3 turns around the ferrite core provide 9 times the suppression of 1 turn.

A ferrite core suppresses disturbances to the 24 V feed, see 6 in drawing above.



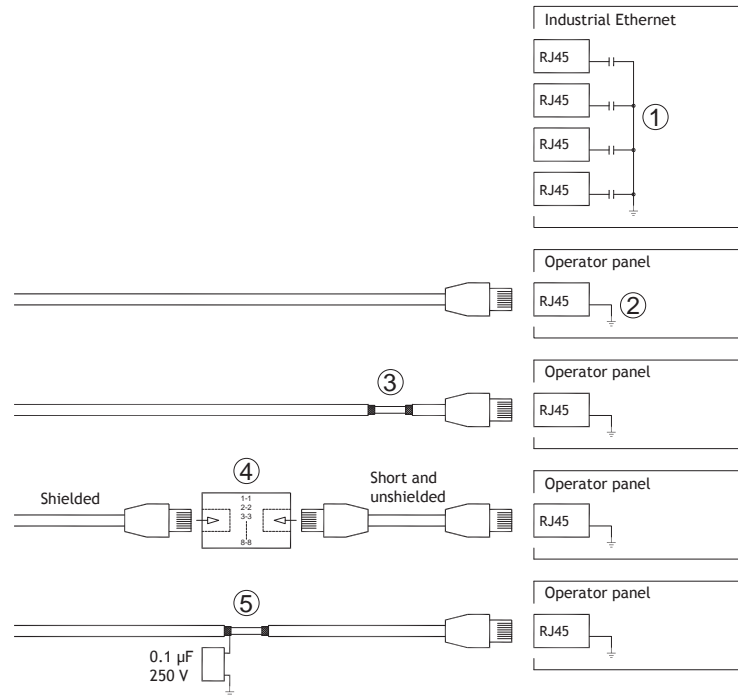
The grounding wires should be short and the conductor should have a large area.

A long, thin grounding wire has a very high impedance (resistance) at high frequencies and does not guide disturbances to the ground.

Multi-wire conductors are better than single wire conductors with the same area.

A braided conductor wire with the same area is even better. The best is a short, thick grounding braid.

Ethernet Connection in the Operator Panel



In some industrial units for Ethernet, the RJ45 contact's shield is connected to the chassis via a capacitor, see 1 in drawing above.

The operator panel's Ethernet shield is directly connected to the chassis, see 2 in drawing above.

1. Check whether the other Ethernet unit has its shield directly grounded or grounded via a capacitor.



In many cases, connecting the shielded Ethernet cabling to the chassis at both ends is inappropriate. Hum or grounding loops can occur. Unshielded cabling may even result in fewer communication errors.



If using a HUB on the LAN B port results in different issues, like bad performance, then it is recommended to use Switch instead of HUB.

A good solution may be to use a shielded Ethernet cable, but to connect the shield at one end only.

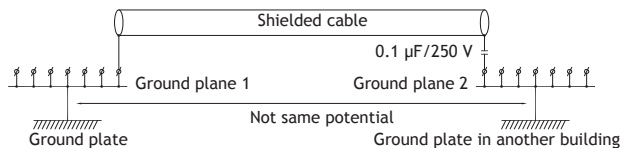
One option is to break the shield, see 3 in drawing above.

A more elegant method is to expand the shielded Ethernet cabling with a piece of unshielded Ethernet cable, see 4 in drawing above.

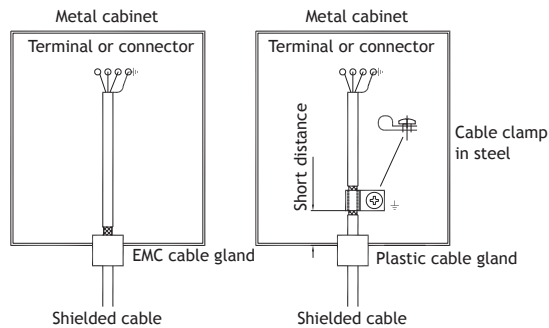
The shield can be grounded via an external 0.1 μF /250 V plastic capacitor, see 5 in drawing above. This connects the HF transients to ground.

To Achieve Better EMC Protection

- Use shielded cables for RS232 communication.
- Use twisted pair and shielded cabling for RS422 and RS485.
- Use the cabling intended for the bus type; Ethernet, Profibus, CC-Link, CAN, Device Net etc.
- Install and connect according to applicable specifications for the relevant bus standard.
- Use shielded cabling for Ethernet, preferably with foil and a braided shield.
- D-sub covers should be shielded, and the shield should be connected to the cover 360° where the cable enters.
- Connect the shield at both ends.



With longer distances, there is a risk that the ground potential may be different. In that case, the shield should only be connected at one end. A good alternative is to connect the other end of the shield to the ground via a 0.1 $\mu\text{F}/250\text{ V}$ plastic capacitor. Both ends are then connected to the ground in terms of HF, but only connected to the ground at one end in terms of LF, thus avoiding the 50/60 Hz grounding loops.

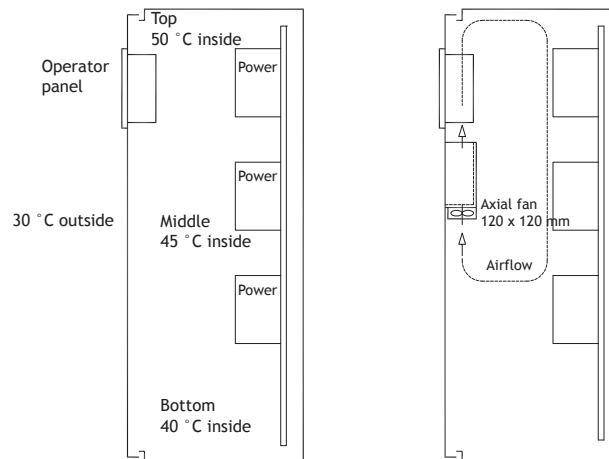


1. Use an EMC cable gland or regular plastic cable gland, remove the outer jacket and connect the shield to the installation plate with a 360° metal cable clamp.
2. Place the 24 V DC and communications cabling in one cable trunk/cable duct and 230/380 V AC in another. If the cables need to be crossed, cross them at 90° only. Avoid combining the cabling for stronger 24 V DC outputs with the communication cabling.

Ferrite cores that are snapped onto the shielded cabling may remove minor disturbances. Large ferrite pieces that are snapped onto unshielded cabling and where the wires go 2-4 times around the cores are approximately 5-25 times more efficient.

Ambient Temperature

The maximum ambient temperature for the operator panel is provided in the specifications. The ambient temperature refers to the temperature in the device cabinet which cools the operator panel's electronics.



In most cases, the ambient temperature for the operator panel is significantly higher than the device cabinet's ambient temperature.

If the cabinet is tall and there are a number of heat-generating devices, the temperature at the top of the cabinet is considerably higher than the temperature increase that would be expected. All electronics are sensitive to heat. The lifespan of

an electrolytic capacitor is cut in half with an 8-10 °C increase in temperature. A 15-20 °C temperature increase results in a quarter of the lifespan etc.

Rittal has a good program for estimating the anticipated average temperature in the cabinet as well as a large program for controlling the temperature in the device cabinet.

An enamel-coated steel cabinet has a radiant heat value of 5.5 W/m² and degrees C.

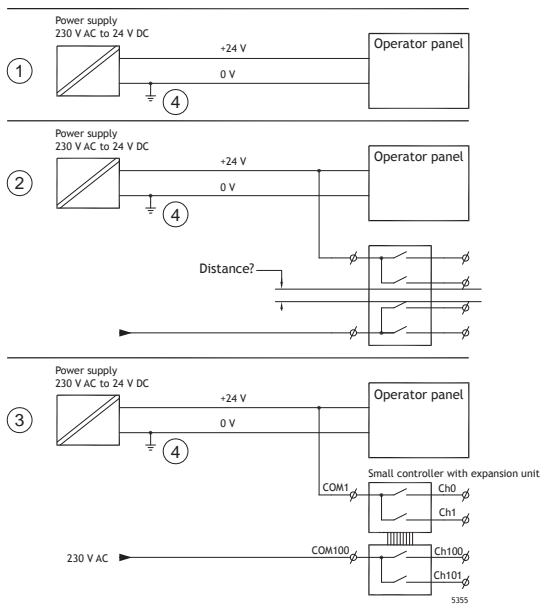
Installing a fan inside the cabinet evens out the temperature, while moving air provides considerably better cooling than still air.

Install the fan so that it sits in a cooler area and blows cold air against the operator panel. If the fan is mounted at the top and sucks warm air upwards, the ambient temperature of the fan becomes higher, resulting in a shorter lifespan.

An approximate value of the net power consumption for the operator panel can be calculated by multiplying the supply voltage with the current drawn by the operator panel. This is assuming that all supplied power is transformed to heat.

Safety

Most of the operator panels are fed with 24 V DC.



If a power supply that meets safety standards is used and only feeds the operator panel, there is no problem. See 1 in drawing above.

However, if a 24 V unit that also feeds other units is used, there is reason to be cautious, see 2 in drawing above. The operator panel does not have insulation that meets safety requirements in the event of a potential short circuit between 230 V AC and 24 V DC. It is assumed that the 24 V feed is secure, for example, SELV according to EN 60950 (protection against electric shock) and UL 950.



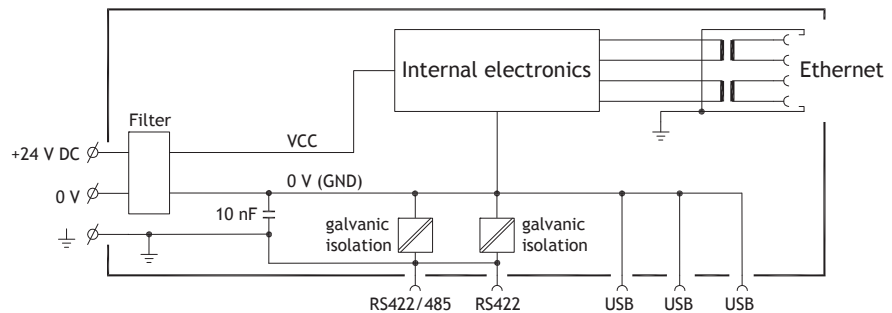
Here is an example that explains why a secure 24 V DC feed can be ruined by mixing 24 V relay contacts with 230 V AC relay contacts in a smaller controller. Check that the clearances and creepage distances between 24 V DC and 230 V AC fulfill EN 60950 or UL 950. If not, input a separate 24 V unit into the operator panel.

If there is a substantial distance between the relay contacts for 24 V DC and 230 V AC, it is OK to use the same 24 V devices for all feeds. See 3 in drawing above.

Connect 0 V on the 24 V feed to the ground, see 4 in drawing above. This offers three advantages:

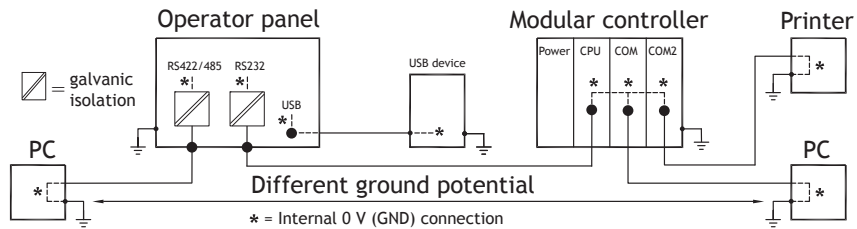
- Safety is increased. The 24 V feed is not live in the event of a faulty connection or short circuit between 0 V (24 V) and 230 V phase.
- Transients on the 24 V feed are connected to the ground.
- No risk that the 24 V feed is at a high level in relationship to the ground. This is not unusual since there is high static electricity.

Galvanic Isolation



The communication ports COM1 and COM2 have built-in galvanic isolation from the terminal and the input power supply. The communication port grounds are bonded to protective earth ground and therefore to one another. Both Ethernet ports have galvanic isolation as well. There is no galvanic isolation between the terminal and the input power supply. If galvanic isolation is required between the terminal and the power supply, an external isolation device is required.

Caution should be taken when connecting peripherals to the terminal. Many peripherals, including USB devices, bond the signal ground (0 V) of the terminal to the protective earth ground. Bonding signal ground and protective earth ground may increase electrical emissions and introduce communication errors.



It is very important to make sure that the 24 V feed in the external insulation unit is not connected to one of the communication outlets. If it does not have 100% insulation against the 24 V feed, disturbances and grounding currents from the 0 V on the 24 V side disrupts the communication.

Using this type of unit solves one problem but creates a larger problem! A substandard installation may work now, but problems may arise when other devices are connected.

Cable and Bus Termination RS485

- Use shielded and twisted pair cable. The pair capacitance may not exceed 52.5 pF/m and area at least 0.25 mm² (AWG 24), if you want to use the maximum transfer distance and maximum transfer speed.
- 0 V, the reference voltage for communication should be included in the cabling. With two-way communication use two pairs; one pair for communication and one pair for 0 V.
- The shield must be grounded at one end. The other end is usually grounded, but with longer distances or when there is a difference in the ground potential, the shield should be connected to the ground via 0.1 μF/250 V plastic capacitor to prevent ground current in the braided shield. A number of manufacturers recommend that the shield be grounded at each node. Various manufacturers have different systems for bus termination.

Depending on the recipients' design, the bus wires may be on the same level or require pull-up or pull-down to ensure that no faulty signals are detected when the bus is in resting mode (all transmitters are disconnected).

COM Port Common-Mode Voltage

The COM port I/Os have special restrictions for common-mode voltage with respect to ground.

COM Port	Maximum Common-Mode Voltage Range
COM1 - RS232	-15 V to +15 V
COM2 - RS422/RS485	-7 V to +7 V

Contact us

www.abb.com/compactproductsuite
www.abb.com/controlsystems

3BSE069471-600 Rev C
Copyright © 2015–2016 ABB. All rights reserved.

Power and productivity
for a better world™

