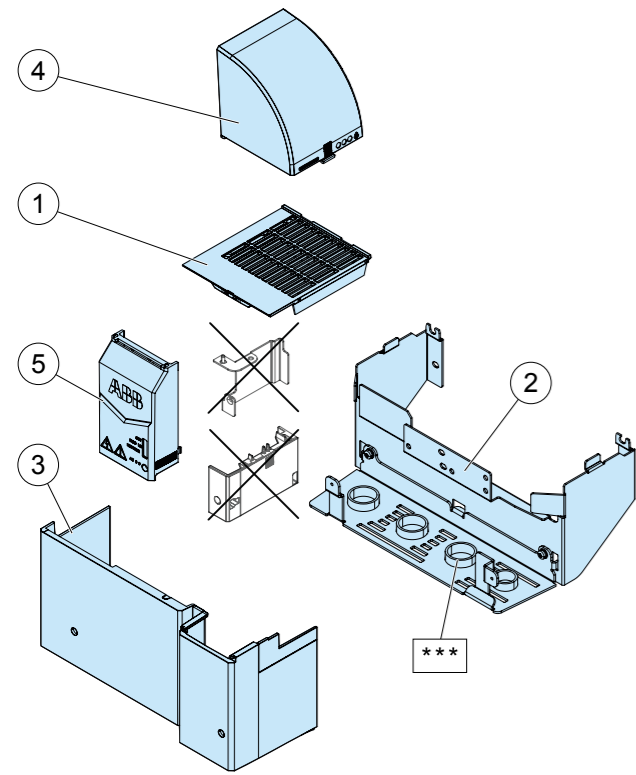
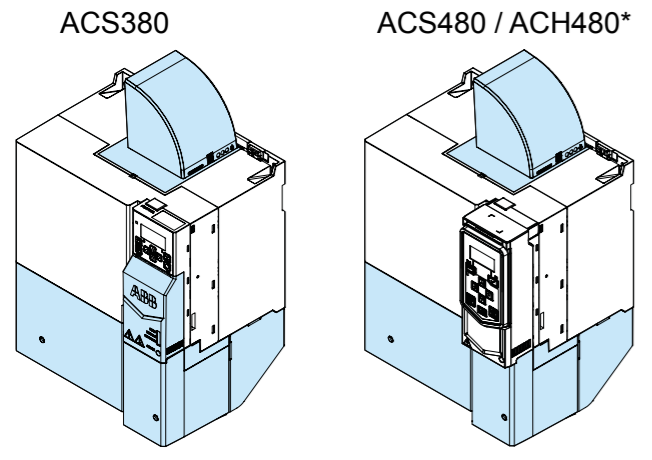


Installation guide

UL Type 1 kit for ACS380 and ACS480 drives, frames R3 to R4

3AXD50000242375 Rev E EN 2020-10-20



- T20 Torx, 2 pcs.
- M3x14 Phillips/Slot, 1 pc.

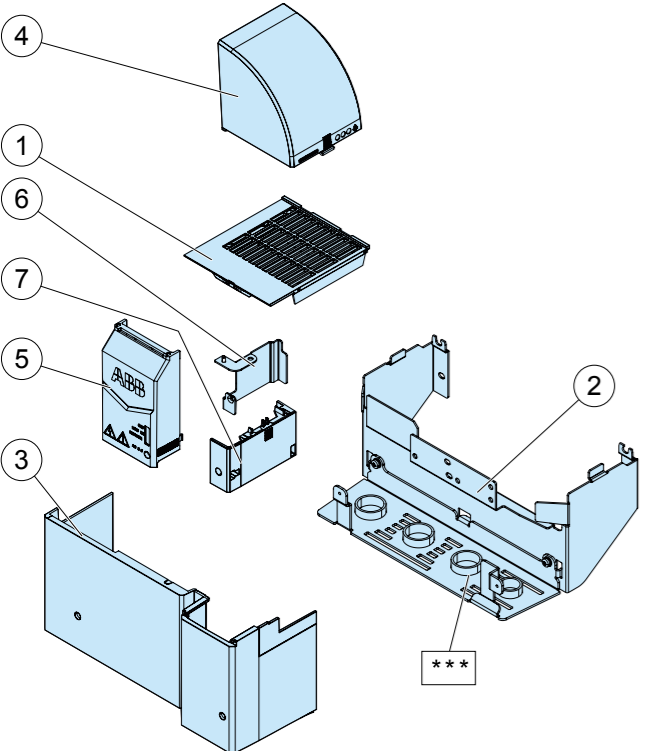
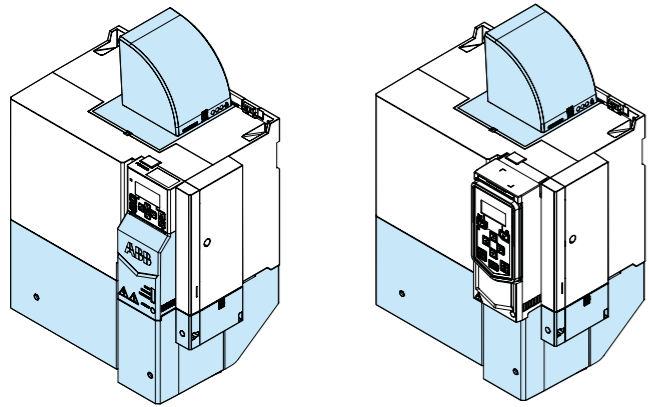
* = Also for ACS530, ACS560, ACH480 or similar.
 ** = Make two holes for the wall/base fastening (if not yet done), and attach the fastening screws. The screws are user-defined. They are not included in the delivery.
 *** = Insert plastic plugs into unused conduit plate holes. Plastic plugs are included in the delivery.

© 2020 ABB Oy. All Rights Reserved.



1				
2	Only R3 			
3				
4				

ACS380 with
BTAC (option +L535) or
BREL (option +L511)

ACS480 / ACH480* with
BTAC (option +L535) or
BREL (option +L511)



  T20 Torx, 2 pcs.

  M3x14 Phillips/Slot, 1pc.

* = Also for ACS530, ACS560,
ACH480 or similar.

** = Make two holes for the wall/base
fastening (if not yet done), and attach
the fastening screws. The screws are
user-defined. They are not included in
the delivery.

*** = Insert plastic plugs into unused
conduit plate holes. Plastic plugs are
included in the delivery.

© 2020 ABB Oy. All Rights Reserved.

