

ACCU-FLO / NP

NOZZLE PITOT FLOW STATION

MODEL S

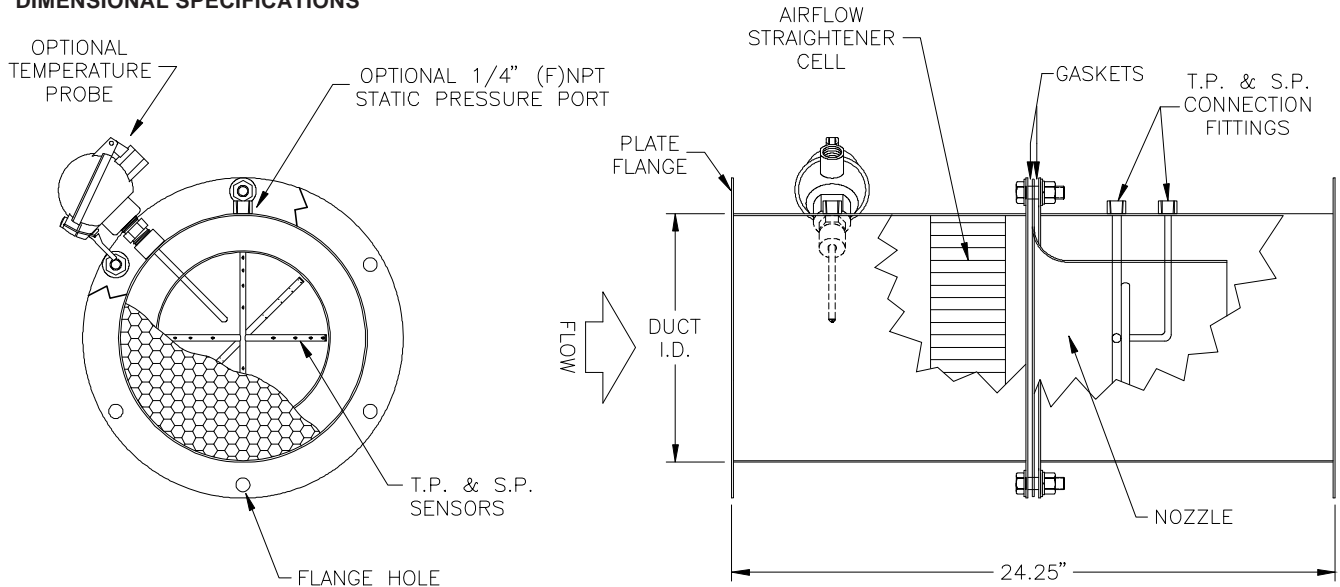
STANDARD CONSTRUCTION

Casing.	Type 316 stainless steel.
Flanges.	14 or 10 ga. plate, Type 316 stainless steel
Nozzle.	Type 316 stainless steel
Air Sraightener.	Hexagonal cell, Type 316 stainless steel
Total and Static Pressure Sensors.	Type 316 stainless steel
Connection Fittings.	1/4" (F)NPT, Type 316 stainless steel
Operating Temperature.	Continuous operation to 900°F
Non-Recovered Pressure Loss.	42-45% of the velocity head (pressure) for the design flow rate
Maximum Static Pressure.	Dependent upon materials of construction, operating temperature and installation Contact Factory

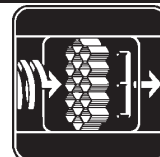
CONSTRUCTION OPTIONS

Bell Mouth Inlet	Temperature Sensor	Installation Kit
<input type="checkbox"/> Stainless steel	<input type="checkbox"/> Single-point 100 ohm, platinum RTD	<input type="checkbox"/> 2 ceramic gaskets and SS mounting hardware
	<input type="checkbox"/> Single-point thermocouple	<input type="checkbox"/> 2 mating flanges, 10ga. plate, Type 316SS
Static Pressure Port	<input type="checkbox"/> Multi-point thermocouple	
<input type="checkbox"/> 1/4" (F)NPT		

DIMENSIONAL SPECIFICATIONS



Nominal Duct Size	Duct I.D.	Duct Wall	Flange O.D.	Bolt Circle	Bolt Qty	Bolt Hole Size	Cell Hex Size	Nozzle I.D.
4"	3.87	0.048	6.06	5.31	8	.28	1/4 x 3	2.65
6"	5.87	0.075	8.09	7.31	6	.44	1/4 x 3	4.07
8"	7.85	0.075	10.38	9.56	8	.44	3/8 x 3	5.48
10"	9.85	0.075	12.88	11.81	8	.44	3/8 x 3	6.89
12"	11.85	0.075	15.13	14.00	10	.44	3/8 x 3	8.31
14"	13.85	0.075	17.13	16.00	12	.44	3/8 x 3	9.37
16"	15.85	0.075	19.13	18.00	12	.44	3/8 x 3	10.78
18"	17.85	0.075	21.13	20.00	14	.44	3/8 x 3	12.20
20"	19.85	0.075	23.13	21.75	16	.44	3/8 x 3	13.61
24"	23.85	0.075	27.13	25.88	20	.44	3/8 x 3	16.44
30"	29.85	0.075	34.13	32.38	24	.44	3/8 x 3	20.68



AIR MONITOR CORPORATION

P.O. Box 6358 • Santa Rosa, CA 95406 • (707) 544-2706 • (707) 526-2825 Fax
www.airmonitor.com • amcsales@airmonitor.com