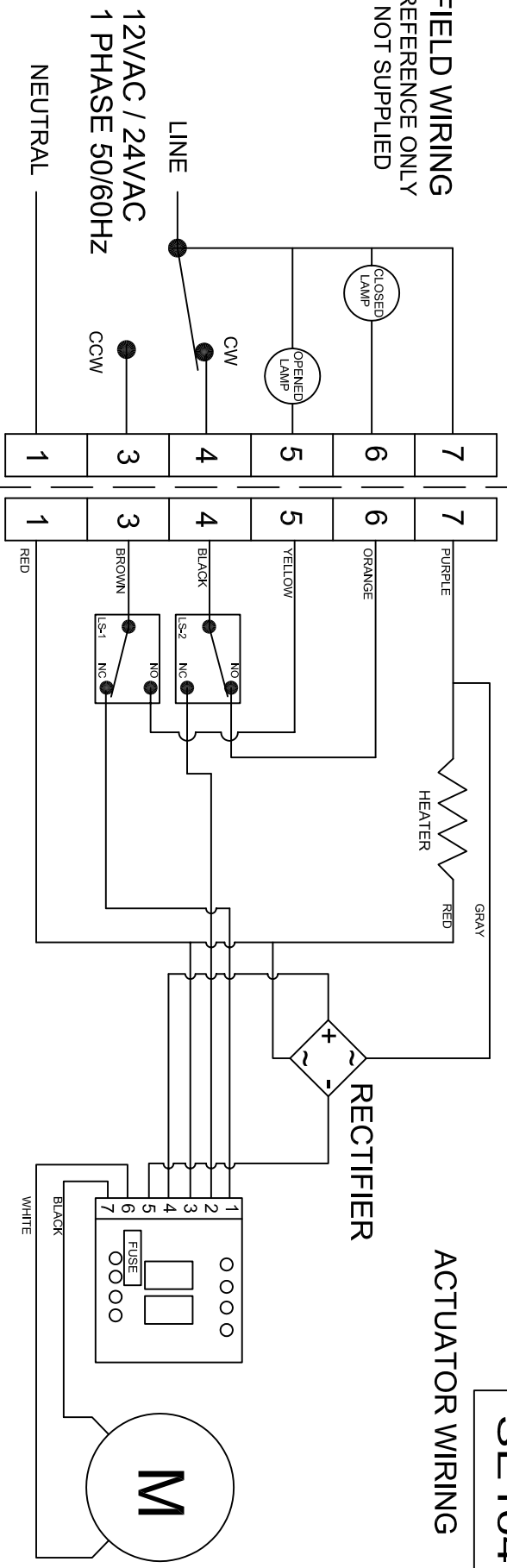


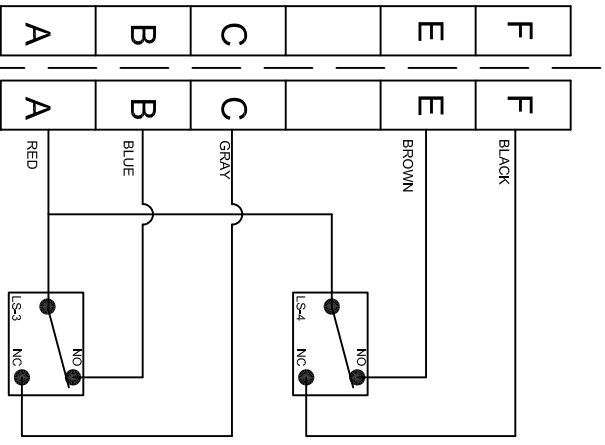
ACTUATOR WIRING

FIELD WIRING
REFERENCE ONLY
NOT SUPPLIED



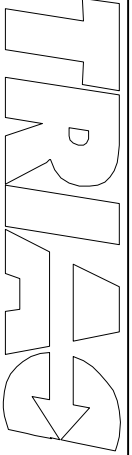
NOTES:

1. FIELD WIRING IS SHOWN FOR REFERENCE ONLY AND IS NOT SUPPLIED WITH ACTUATOR
2. SWITCHES ARE FROM BOTTOM TO TOP (i.e. switch 1 is on the bottom, switch 2 is the next one up, etc.)
3. ROTATION IS VIEWED FROM THE MOTOR SIDE.
4. TS-1 AND TS-2 ARE TORQUE SWITCHES (OPTIONAL ON MODELS 700 ~ 4300)
5. WIRING DIAGRAM SHOWN IN THE FULL CLOCKWISE POSITION



THE DESIGN AND DISCUSSION CONTAINED IN THIS DRAWING WAS ORIGINATED BY AND IS EXCLUSIVE PROPERTY OF A-T CONTROLS, INC. IT IS FURNISHED FOR VENDOR INFORMATION ONLY AND IS NOT AN AUTHORIZATION OR LICENSE TO MAKE THIS CONSTRUCTION OR TO FURNISH THIS INFORMATION TO OTHERS. ALL DRAWINGS MUST BE RETURNED TO A-T CONTROLS, INC. ON DEMAND. THIS DRAWING IS NOT TO BE REPRODUCED OR COPIED IN ANY FORM WITHOUT THE EXPRESS WRITTEN PERMISSION OF A-T CONTROLS, INC.

ECN#	DATE	BY



Division of A-T Controls, Inc.
11363 Deerfield Road
Cincinnati, Ohio 45242
Phone: (513) 247-5465
Fax: (513) 247-5462

DESIGNED BY	DATE	CHECKED BY	DATE
SAH	09/22/04		
TITLE			
ETI-300 / ETI-400 WIRING DIAGRAM			
24VAC / 1 PHASE REVERSIBLE			

TOLERANCE UNLESS OTHERWISE SPECIFIED:
TWO PLACE DECIMAL
DIM. 0.02
THREE PLACE DECIMAL
DIM. 0.010
ANGULAR DIM. 0°-90°
DO NOT SCALE DRAWINGS