

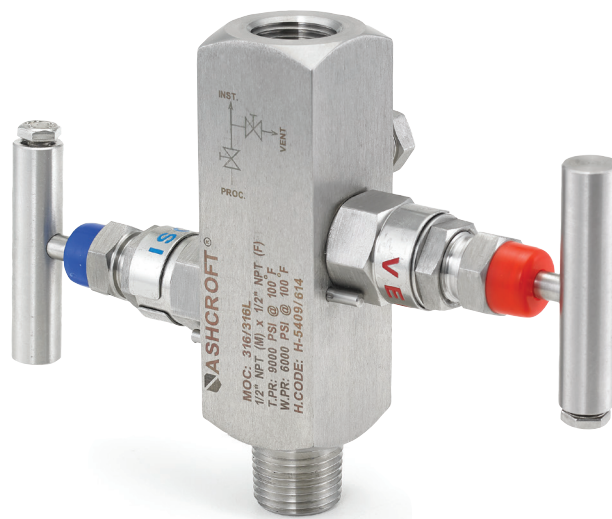
Block and Bleed 2-Valve Manifold - V01 Series

FEATURES

- Isolates and bleeds process from instrument assembly
- 316L Stainless steel construction
- Externally adjustable gland
- Reinforced gland body protection
- Blowout protection
- Non-rotating needle provides bubble tight shut-off

TYPICAL USES

- Oil & Gas Industry
- Chemical Industry
- Power Plants



SPECIFICATIONS

| | |
|----------------------|------------------------------------|
| Process Conn: | ½ NPTM, ½ NPTF |
| Instrument Conn: | ½ NPTF |
| Construction: | 316L Stainless steel |
| Max Pressure Rating: | 6000 psi (414 bar) at 100°F (38°C) |

- PTFE Packing
- Dust cap protects internals from contaminants
- ¼ NPT Vent port with pipe plug

COMPONENTS

MATERIAL

Wetted

| | |
|----------------|----------------------|
| Body | 316L Stainless steel |
| Gland body | 316L Stainless steel |
| Spindle | 316L Stainless steel |
| Washer | 316L Stainless steel |
| Gland seal | PTFE |
| Plug ¼ NPT (M) | 316L Stainless steel |

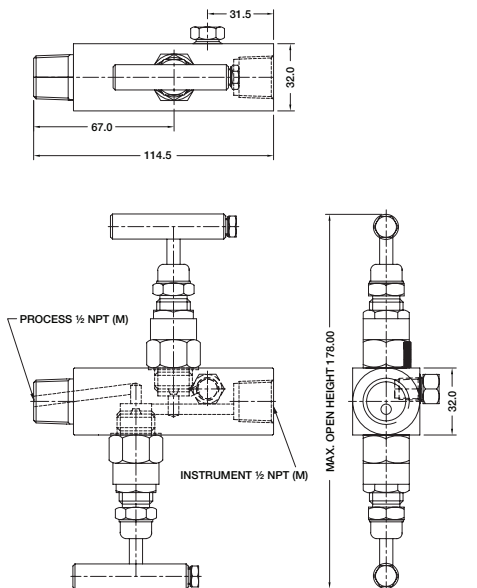
Non-Wetted

| | |
|----------------|---------------------|
| Gland retainer | 304 Stainless steel |
| Check nut | 304 Stainless steel |
| Handle | 304 Stainless steel |
| Lock pin | 304 Stainless steel |
| Dust cap | P.V.C. |

Data Sheet

Block and Bleed 2-Valve Manifold - V01 Series

DIMENSIONS (dimensions are decimal inches)



ORDERING CODE

| | | | | | | |
|--|----|-----|-----|----|----|-----|
| Example: | 04 | V01 | 2VA | SS | 50 | XP7 |
| Process Connection | | | | | | |
| 04-1/2 NPT Male | 04 | | | | | |
| 50-1/2 NPT Female | | | | | | |
| Series Code | | | | | | |
| V01-Valve | | V01 | | | | |
| Version | | | | | | |
| 2VA-Valve style A | | | 2VA | | | |
| Material | | | | | | |
| SS-316SS | | | | SS | | |
| Instrument Connection | | | | | | |
| 50-1/2 NPT Female | | | | | 50 | |
| Options | | | | | | |
| HY-Hydrostatic testing | | | | | | |
| 6B-Cleaned for oxygen service | | | | | | |
| NH-Stainless steel tag | | | | | | |
| P7-Compliance with power piping ASME B31.1 | | | | | | XP7 |