

AUTO-purge III

STANDARD CONSTRUCTION

- Brass and Copper Construction
- Stainless Steel Construction

All wetted tubing, fittings, and valves constructed of copper and/or brass.
Enclosure is NEMA 4 painted steel.
External connection fittings are stainless steel FPT.

All wetted tubing, fittings, and valves are constructed of 316 stainless steel.
Enclosure is NEMA 4 painted steel.
External connection fittings are stainless steel FPT.

OPTIONAL CONSTRUCTION

- NEMA 4X Stainless Steel Enclosure
- Vortex Cooler. Requires 80-100 psi air supply*
- Enclosure Heater, Requires 120VAC power supply**
- Purge start and/or purge interrupt pushbuttons
 - Panel mounted
 - Door mounted

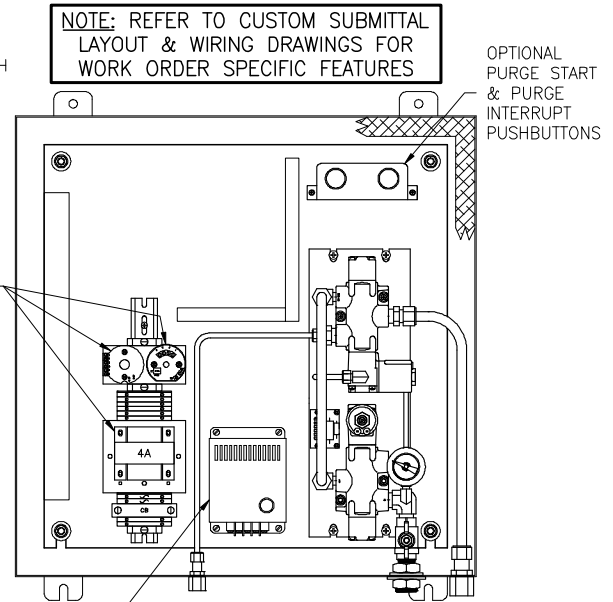
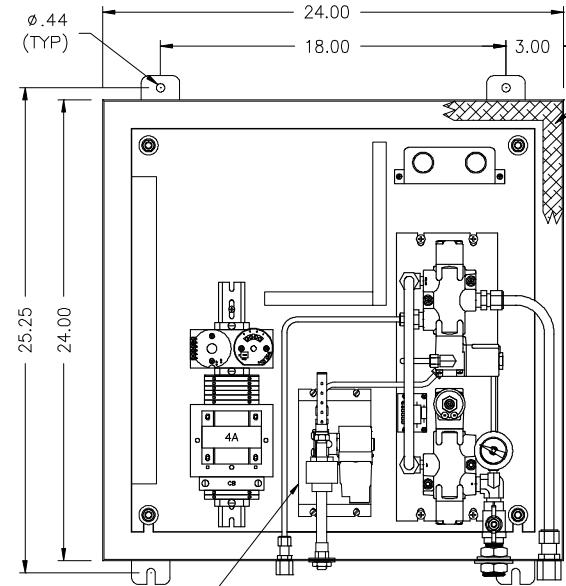
Power Supply

(check one)	<u>In Rush</u>	<u>Hold</u>
<input type="checkbox"/> 24VAC	74VA	62VA
<input type="checkbox"/> 24VDC	28W	28W
<input type="checkbox"/> 120VAC	93VA	78VA

* Add 2 watts @ 24-99V / 50-60Hz/DC for 400 BTUH @ 100 psig ≤70°F

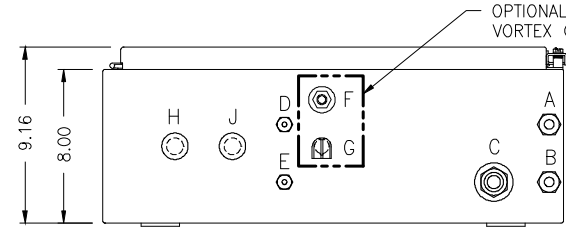
**Add 1.7A @ 120VAC for 200 watt heater

DIMENSIONAL SPECIFICATIONS



OPTIONAL VORTEX COOLER (W/OPTIONAL VORTEX COOLER) INTERIOR VIEW

OPTIONAL HEATER (W/OPTIONAL HEATER) INTERIOR VIEW



CONNECTION CODE:

A. STATIC PRESSURE (LO) SIGNAL FROM FLOW ELEMENT	1/2" (F)NPT
B. TOTAL PRESSURE (HI) SIGNAL FROM FLOW ELEMENT	1/2" (F)NPT
C. SUPPLY AIR 80-125 PSIG	1/2" (F)NPT
D. STATIC PRESSURE TO REMOTE TRANSMITTER	1/4" (F)NPT
E. TOTAL PRESSURE TO REMOTE TRANSMITTER	1/4" (F)NPT
F. VORTEX COOLER EXHAUST	N/A
G. VORTEX COOLER ENCLOSURE VENT	N/A
H. ELECTRICAL CONNECTION POWER WIRING	1/2" CONDUIT SEAL
J. ELECTRICAL CONNECTION SIGNAL WIRING	1/2" CONDUIT SEAL

BOTTOM VIEW



AIR MONITOR CORPORATION

P.O. Box 6358 • Santa Rosa, CA 95406 • (707) 544-2706 • (707) 526-2825 Fax
www.airmonitor.com • amcsales@airmonitor.com