

Type 5509 Differential Pressure Gauge



- $\pm 2.5\%$ full scale accuracy
- *Stainless steel case*
- *316 stainless steel wetted parts*
- *Inches of water differential ranges*
- *Static pressure for ranges 160IW & lower – 145 psi above 160IW – 360 psi*
- *External zero adjust*
- *Available with open or solid front case styles*
- *Optional liquid-filled case*
- *4" (100mm) or 6" (160mm) dial sizes*

The Ashcroft® Type 5509 differential pressure gauge comes standard with 316SS wetted parts. This rugged gauge features an external zero adjust feature standard. Static pressure up to 360 psi.

PRODUCT SPECIFICATIONS

Model Number:	5509
Accuracy:	$\pm 2.5\%$ full scale
Ranges:	0-10 IWD (inches of water differential) to 400 psid
Static Pressure:	From 10 IWD to 3 psi – static pressure 145 psi 5 psi and above – static pressure 400 psi
Dial Size:	4" (100mm) or 6" (160mm) Zero adjust at top of case
Case Material: front	304 stainless steel open case (solid front optional)
Ring:	Bayonet ring
Window:	Shatterproof glass
Dial:	Aluminum, white background, black figures and intervals.
Pointer:	Black painted aluminum with external adjust feature standard (to 25% of range)

Ingress Protection:	IP54 (dry) IP65 (liquid filled) IP65 optional (dry case XLJ)
Diaphragm ranges Material:	316 stainless steel for 10 psi and below. High strength cobalt alloy (Duratherm 600) for ranges 15 psi and above
Housing Material:	316 stainless steel with a Viton® O-ring
Mounting:	Stem, wall or pipe
Connection Size:	¼, ½ NPT
Connection Location:	Lower

OPTIONAL FEATURES

Glycerin fill - Standard	(L)
Silicone fill - Optional	(XGV)
Weatherproof/Hermetically sealed case (IP65)	(XLJ)
Wall mounting bracket	(XFW)
316 SS case and ring	(XYW)
Pipe mounting bracket	(XTM)
3-way manifold ⁽¹⁾	(X43)
Polycarbonate window	(XPD)
Solid front	(S)
Calibration chart	(C4)
Oxygen cleaning	(6B)
Stainless steel tag-wired	(NH)
Stainless steel tag-bonded	(MN)

Electric Contacts

Single Setpoint – Close High Contact	QH
Open Low Contact	QL
Dual Setpoint – High & Low Contact	ED
Double High Contact	EE
Double Low Contact	EF

Electric contacts are available as an option on both dry and liquid filled gauges.

⁽¹⁾ Requires additional piping (not supplied).
Viton® is a registered trademark of DuPont Co.

HOW TO ORDER (Typical example)

	10	5509	S	—	L	02L	XXX	0/100 psid
Dial Size: 100mm (10), 160mm (16)	_____	_____	_____	_____	_____	_____	_____	_____
Case Type: 5509	_____	_____	_____	_____	_____	_____	_____	_____
Diaphragm, Housing, Socket: (S) 316L SS	_____	_____	_____	_____	_____	_____	_____	_____
Solid Front: (S) otherwise leave blank	_____	_____	_____	_____	_____	_____	_____	_____
Liquid Filled: (L) leave blank if dry	_____	_____	_____	_____	_____	_____	_____	_____
Connection Size, Location: ¼ (02), ½ (04), Lower (L)	_____	_____	_____	_____	_____	_____	_____	_____
Options:	_____	_____	_____	_____	_____	_____	_____	_____
Range: 0/100 psid	_____	_____	_____	_____	_____	_____	_____	_____

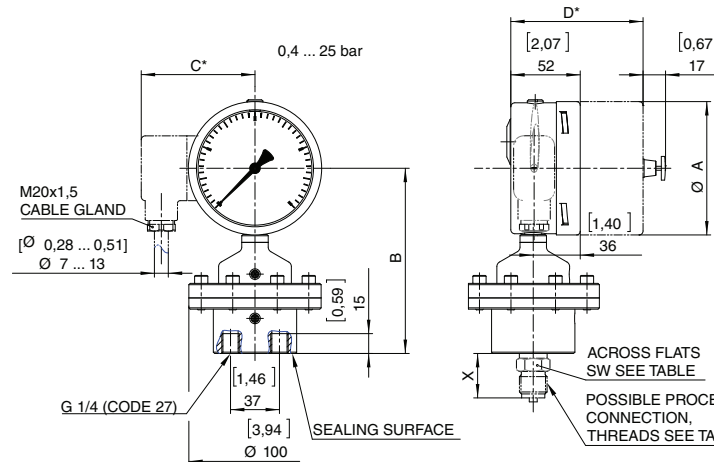
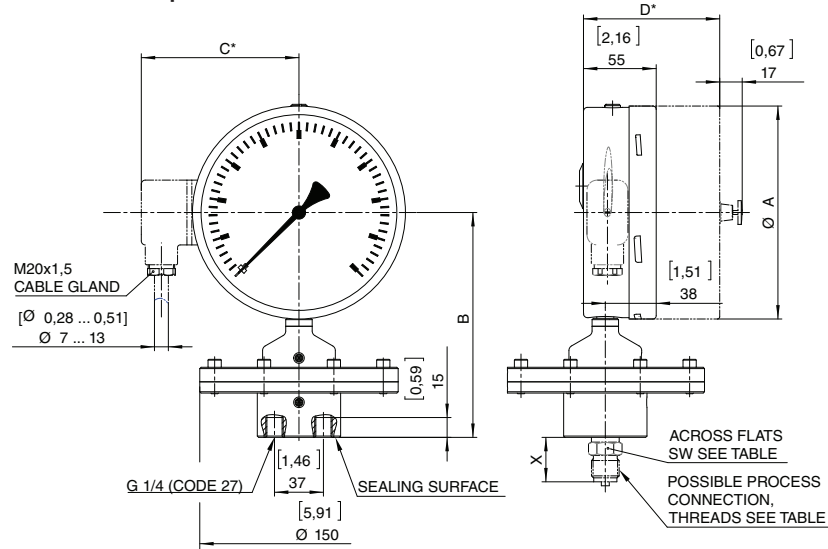
Type 5509 Differential Pressure Gauge

STANDARD RANGE TABLE*

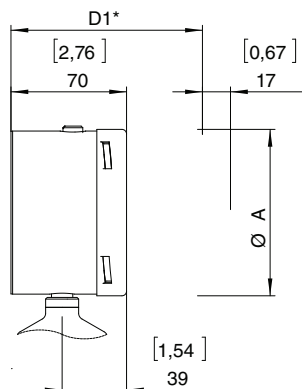
psid	mBar	bar	I.W.D.
3	25	0.6	10
5	40	1.0	30
10	60	1.6	60
15	100	2.5	100
30	160	4	200
60	250	6	
100	400	10	
160		16	
200		25	
300			
400			

*Other ranges on application

Dimensions - Open Front Case



Dimensions - Solid Front Case



THREADS	CODE	X	SW
1/4 -18 NPT Male; DIN EN 837	02	30 [1,18]	19 [0,75]
1/2 -14 NPT Male; DIN EN 837	04	37 [1,46]	22 [0,87]
G1/4B Male; DIN EN 837	13	25 [0,98]	19 [0,75]
G1/2B Male; DIN EN 837	15	34 [1,34]	22 [0,87]
1/4 -18 NPT Female	25	20 [0,79]	19 [0,75]
1/4 -18 NPT Female	50	26 [1,02]	27 [1,06]
G1/2B Female; DIN EN 837	51	26 [1,02]	27 [1,06]

DIAL SIZE	A	B	C*	D*	D1*
100	101[3,98]	140[5,51]	86[3,39]	100[3,94]	116[4,57]
160	161[6,34]	170[6,69]	120[4,72]	102[4,02]	118[4,65]

*With integrated contacts