



Type FA12

Filter Regulator/Coalescing Filter Combo

The FA12 Filter Regulator/Coalescing Filter Combo comes in one convenient piggy-back assembly. The high performance regulator provides filtration to 5 micron while the coalescing filter provides further filtration of 0.3 or 0.01 micron. Polycarbonate bowls allow for visual indication of the filtered liquid level. The quick release locks on the drain bowls allow for fast and easy replacement of the filter elements.

Features

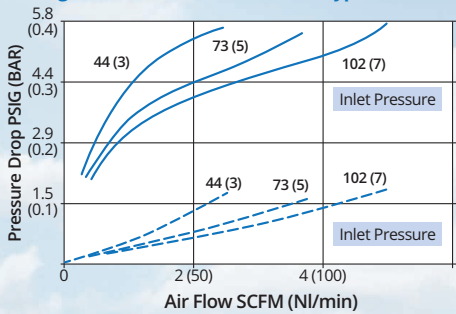
- 1/8" or 1/4" NPT Porting
- Compact Combo Design
- Provides oil free air for critical applications
- Integral mounting bracket and set-point locking knob
- Clear Bowl for at a glance monitoring
- Field replaceable filters



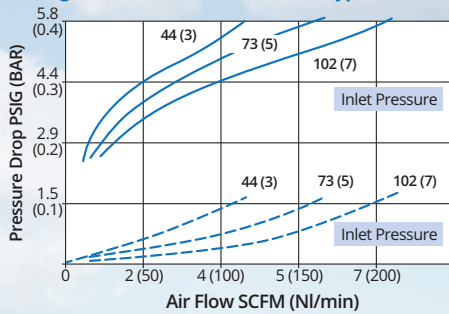
Flow Curves

— With Saturated Element - - - Initial Condition

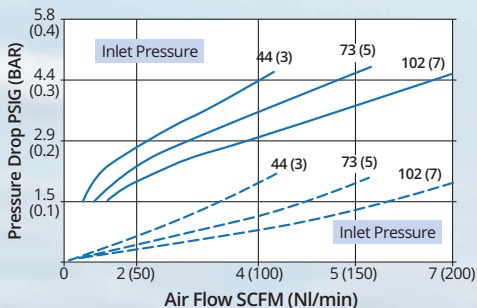
Regulated Pressure vs Flow: 1/8" Type FA12-ACM



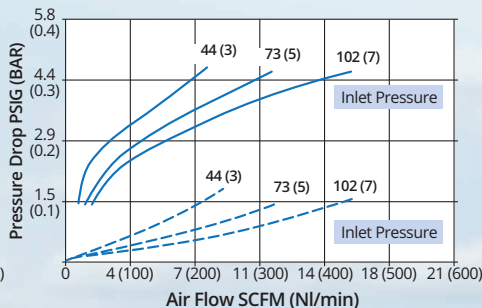
Regulated Pressure vs Flow: 1/4" Type FA12-BCM



Regulated Pressure vs Flow: 1/8" Type FA12-ABM

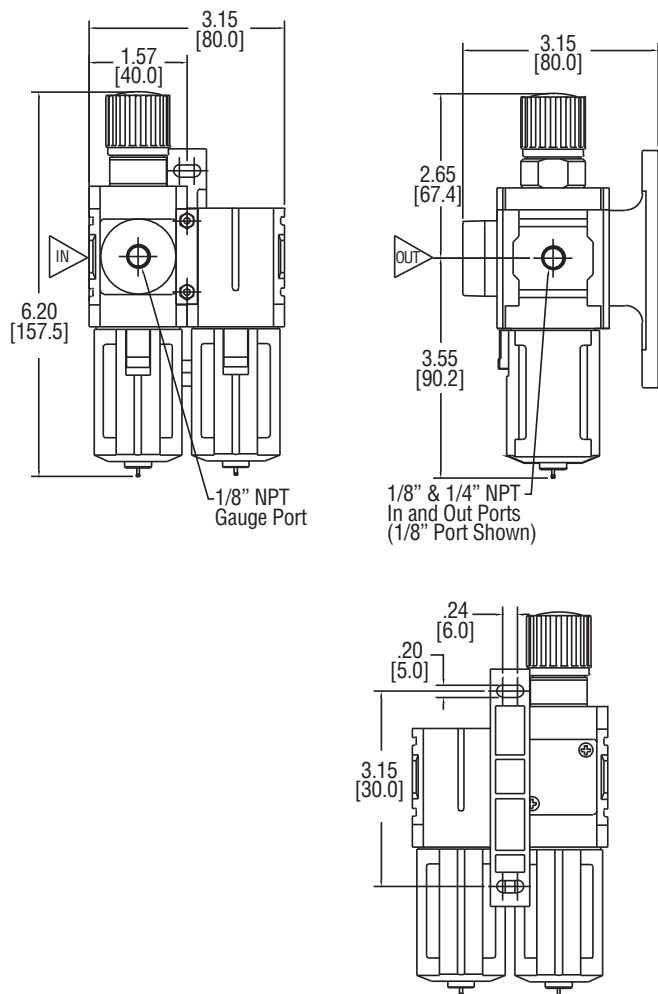


Regulated Pressure vs Flow: 1/4" Type FA12-BBM



Type FA12 Filter Regulator/Coalescing Filter Combo

Dimensions



Specifications

Operating Pressure	7-140 psig (0.5-10 bar)
Supply Pressure	150 psig (10.5 bar)
Temperature Limits	23° to 140°F (-5° to 60°C) (Non-freezing)
Flow Capacities	Port 1/8" Reg. 35 scfm (1,000 nl/m) 1/4" Reg. 46 scfm(1,300 nl/m)
Drain Capacities	1/8" 0.51 oz (15 cm ³) 1/4" 1.28 oz (38 cm ³)
Filtration (micron)	Regulator: 5 Filter: 0.3 or 0.01
Mounting	Bracket (Integral)
Supply/Output Port	1/8 or 1/4" NPT
Gauge Port	1/8" NPT
Weight	0.80 lbs (0.36kg)

Materials

Bowl	Polycarbonate
Bowl Guard	Nylon
Other Trim	Plated Steel
Internal Components	Brass, steel
Elastomers	Nitrile
Housing	Aluminum

Ordering Use this coding system to order

Model	FA12	—	□	□	□	→	Drain
							M Manual (standard)
Port Size (NPT)	Filter						
A 1/8"	B 5 micron/0.3 micron						
B 1/4"	C 5 micron/0.01 micron						

Warranty ControlAir LLC products are warranted to be free from defects in materials and workmanship for a period of eighteen months from the date of sale, provided said products are used according to ControlAir LLC recommended usages. ControlAir LLC's liability is limited to the repair, purchase price refund, or replacement in kind, at ControlAir LLC's sole option, of any products proved defective. ControlAir LLC reserves the right to discontinue manufacture of any products or change products materials, designs or specifications without notice. Note: ControlAir does not assume responsibility for the selection, use, or maintenance of any product. Responsibility for the proper selection, use, and maintenance of any ControlAir product remains solely with the purchaser and end user. Drawing downloads available at www.controlair.com

