



Pneumatic Spring Return

Automated Ball Valve Package

Series F8R 3-Piece Ball Valve



Regular Port Valve

1500 & 2000 psi WOG (by size)

Available 1/4" – 2-1/2"

316SS or WCB Body

316SS Ball & Stem

Belleville Washers, Double Chevron Packing, RTFE Seats Standard

Threaded, SW or BW

STANDARDS

ANSI	B16.34, B16.25, B1.20.1, B16.11
API	6D, 598, 607
ISO	5211, 5209, 5752, 7/1, 261
MSS	PS25, PS72
BS	5351, 6755-1, 6755-2

API 607 - 4th Edition
CERTIFIED

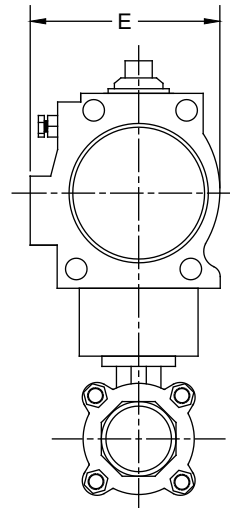
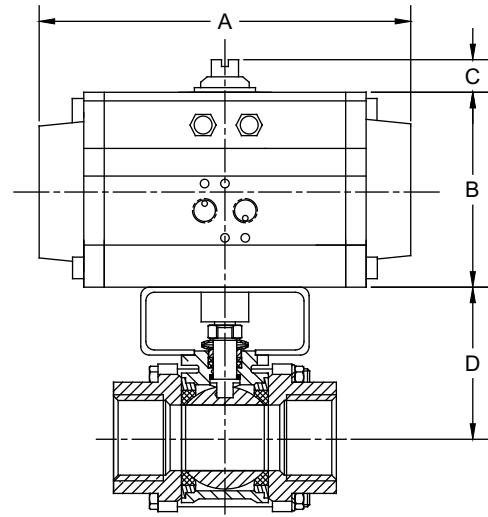


Direct Mount
Firesafe tested to API-607

DIMENSIONS (IN)

VALVE SIZE	A	B	C	D	E	VALVE Cv
1/4"	7.95	3.43	0.79	2.65	3.29	8
3/8"	7.95	3.43	0.79	2.65	3.29	8
1/2"	7.95	3.43	0.79	2.65	3.29	8
3/4"	7.95	3.43	0.79	2.62	3.29	15
1"	9.29	4.49	0.79	2.78	4.41	34
1-1/4"	9.29	4.49	0.79	2.90	4.41	56
1-1/2"	9.29	4.49	0.79	3.13	4.41	95
2"	10.87	4.88	0.79	3.42	4.82	200
2-1/2"	11.46	5.28	0.79	4.30	5.20	350

DIMENSIONS SHOWN ARE FOR ASSEMBLIES SIZED FOR 80 PSI SUPPLY

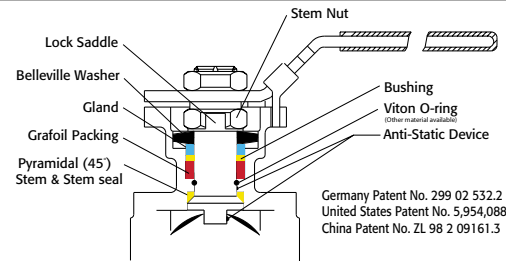


SERIES F8R 3 Piece

Firesafe

SIZED FOR 80 psi AIR SUPPLY	
SIZE	MODEL
1/4"	F8R-TX-025/2R2S-XX
3/8"	F8R-TX-038/2R2S-XX
1/2"	F8R-TX-050/2R2S-XX
3/4"	F8R-TX-075/2R3S-XX
1"	F8R-TX-100/2R3S-XX
1-1/4"	F8R-TX-125/2R3S-XX
1-1/2"	F8R-TX-150/2R3S-XX
2"	F8R-TX-200/2R4S-XX
2-1/2"	F8R-TX-250/2R5S-XX

SIZED FOR 60 psi AIR SUPPLY	
SIZE	MODEL
1/4"	F8R-TX-025/2R2S-XX
3/8"	F8R-TX-038/2R2S-XX
1/2"	F8R-TX-050/2R2S-XX
3/4"	F8R-TX-075/2R3S-XX
1"	F8R-TX-100/2R3S-XX
1-1/4"	F8R-TX-125/2R3S-XX
1-1/2"	F8R-TX-150/2R4S-XX
2"	F8R-TX-200/2R4S-XX
2-1/2"	F8R-TX-250/2R6S-XX



Germany Patent No. 299 02 532.2
United States Patent No. 5,954,088
China Patent No. ZL 98 2 09161.3

SAMPLE PART

F8RC-TX-050/2R2S-XX

- Firesafe
- Valve Series
- Denotes Carbon Steel
- End Connection (Threaded)
- Seat Material (RTFE Seats)
- Valve Size (1/2")
- TRIAC Actuator
- Pneumatic Rack & Pinion
- Actuator Size
- Spring Return
- Solenoid
- Limit Switch



OPTIONS

DESCRIPTION	PART NO. SUFFIX	DESCRIPTION	PART NO. SUFFIX
NEMA 4 Solenoid	(A)	NEMA 4 Limit Switch (2) spdt	(A)
NEMA 7 Solenoid	(B)	NEMA 7 Limit Switch (2) spdt	(B)

Other options available - call for details
Actuators are sized based on clean/clear fluid.

See valve part number matrix for complete part number and options.



Triac Division
11363 Deerfield Rd.
Cincinnati, Ohio 45242
PHONE (513) 247-5465
FAX (513) 247-5462
e-mail: sales@a-tcontrols.com
www.a-tcontrols.com