

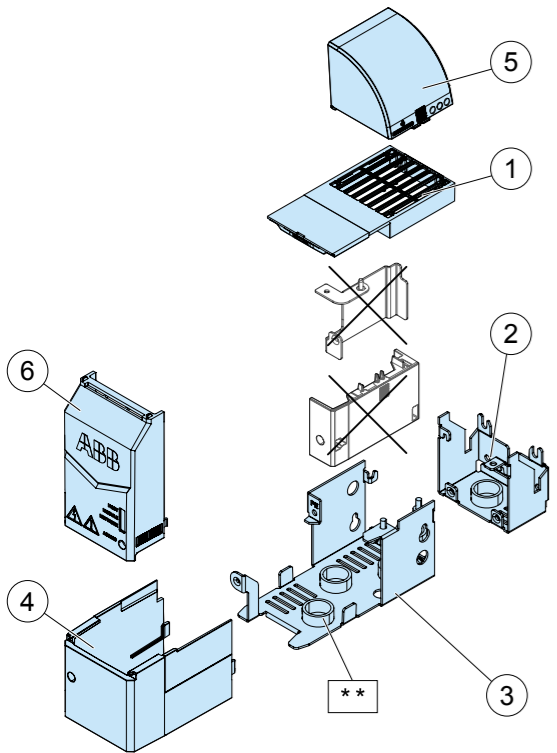
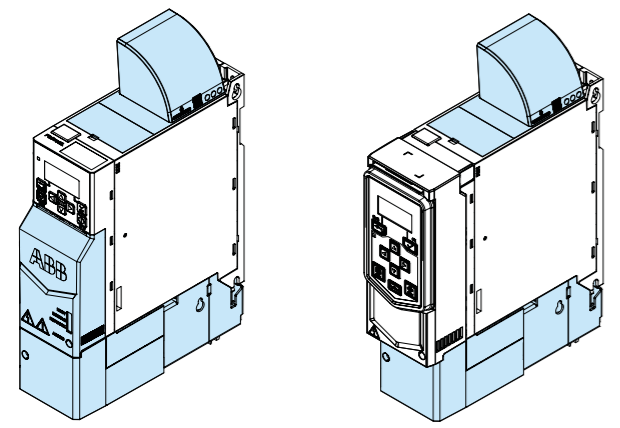
# Installation guide

## UL Type 1 kit for ACS380 and ACS480 drives, frames R0 to R2

3AXD50000235254 Rev E EN 2020-10-20

ACS380

ACS480 / ACH480\*

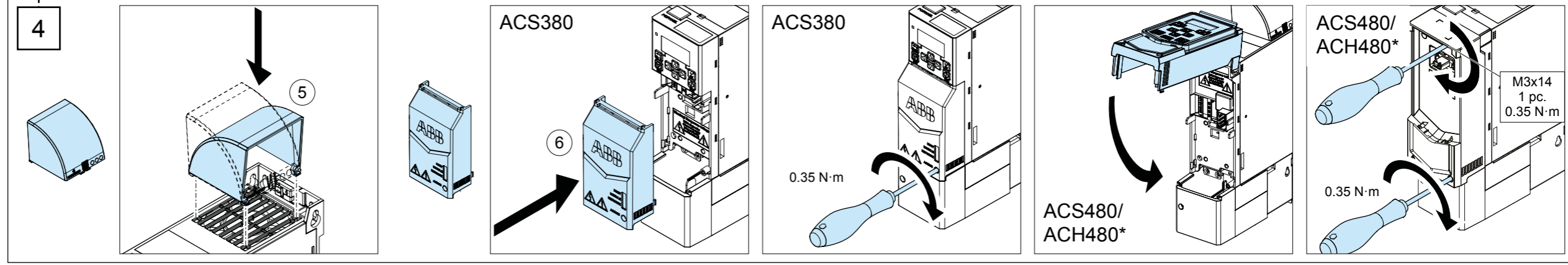
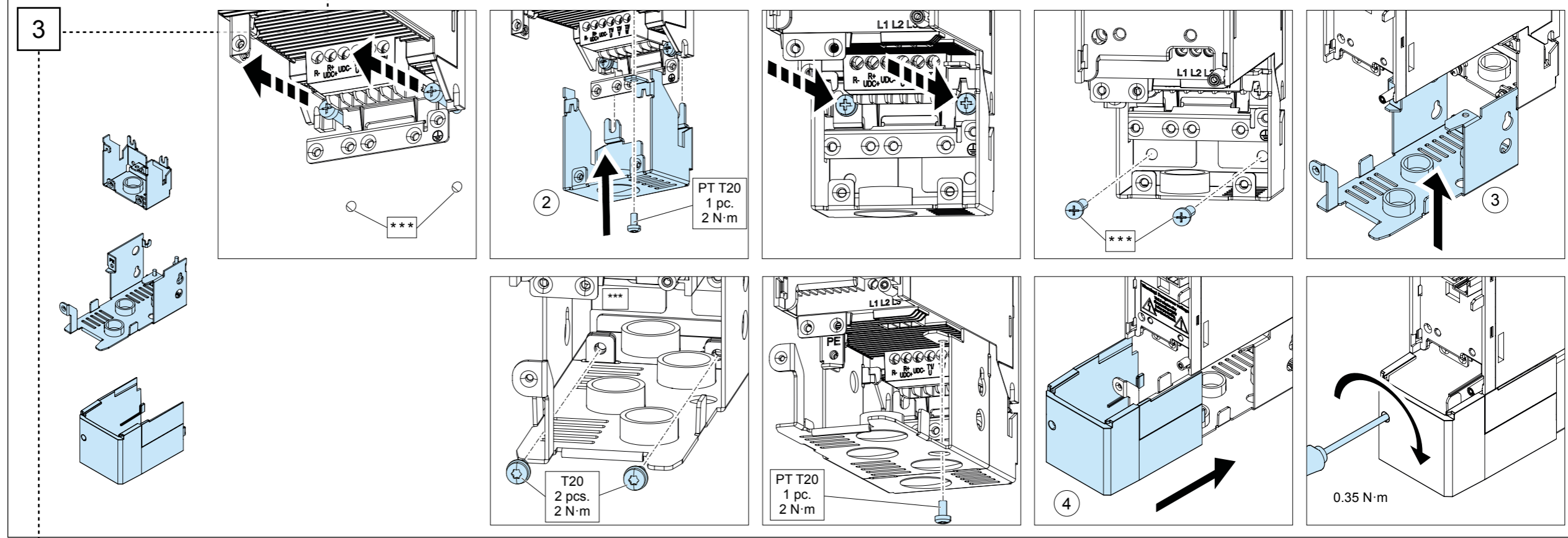
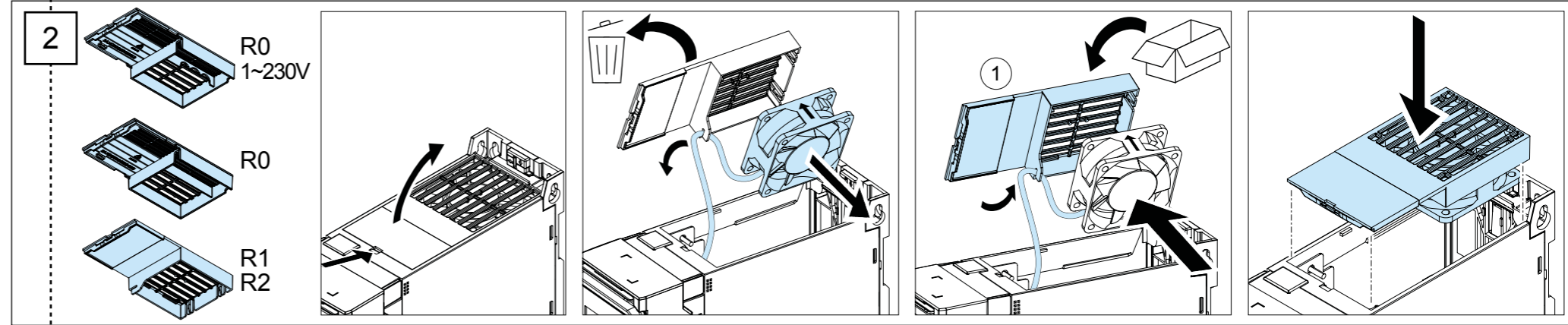
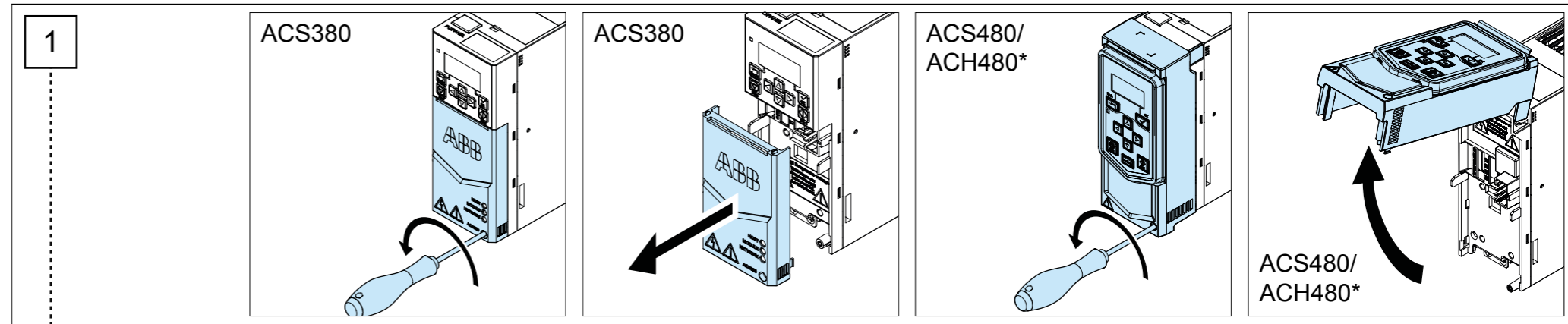


- T20 Torx, 2 pcs.
- PT T20 Torx, 2 pcs.
- M3x14 Phillips/Slot, 1 pc.

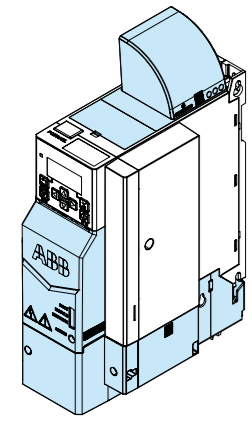
\* = Also for ACS530, ACS560, ACH480 or similar.

\*\* = Insert plastic plugs into unused conduit plate holes. Plastic plugs are included in the delivery.

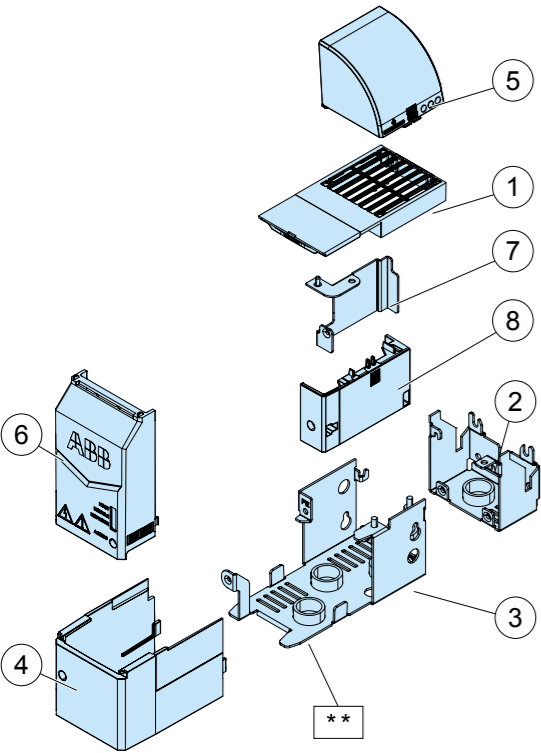
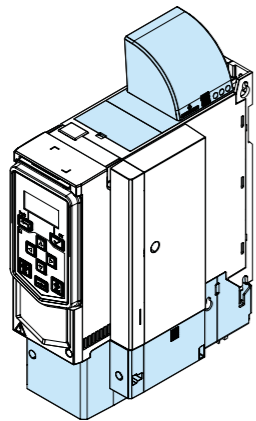
\*\*\* = Make two holes for the wall/ base fastening (if not yet done). The fastening screws are user-defined. They are not included in the delivery.



ACS380 with BTAC (option +L535) or BREL (option +L511)



ACS480 / ACH480\* with BTAC (option +L535) or BREL (option +L511)



- T20 Torx, 2 pcs.
- PT T20 Torx, 2 pcs.
- M3x14 Phillips/Slot, 1 pc.

\* = Also for ACS530, ACS560, ACH480 or similar.  
 \*\* = Insert plastic plugs into unused conduit plate holes. Plastic plugs are included in the delivery.  
 \*\*\* = Make two holes for the wall/ base fastening (if not yet done). The fastening screws are user-defined. They are not included in the delivery.

