

ELECTRA-flo/FI G5 TRANSMITTER (Version 2.4)

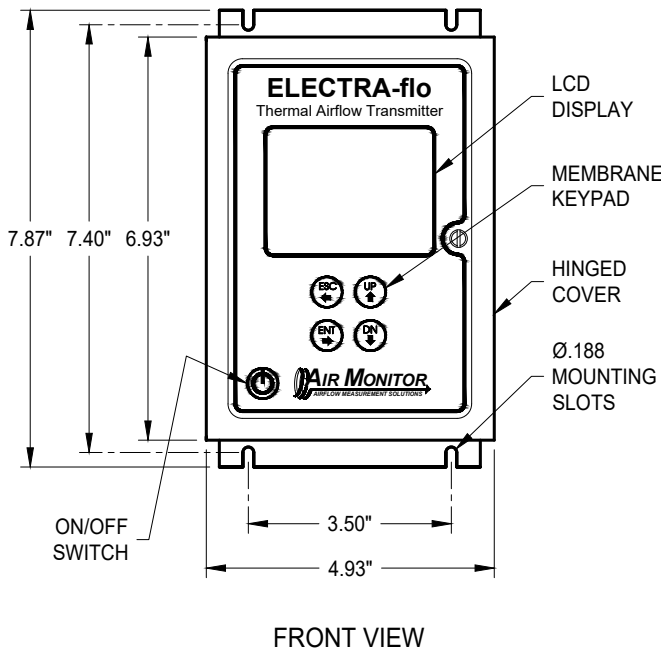
DUAL OR SINGLE FAN INLET OR FAN WALL CONFIGURATION

THERMAL AIRFLOW MEASURING SYSTEM

STANDARD CONSTRUCTION

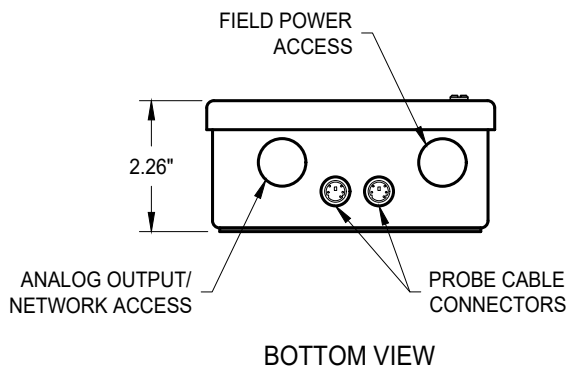
Maximum Number of Sensors:	4 for dual inlet fan, 2 for single inlet fan, 2-32 for fan wall application.
Display:	Backlit, 1/4 VGA (320 x 240), color TFT LCD. 2.75" x 2.0" display size.
Configuration Access:	Field programmable, menu driven user interface accessed via four button keypad. Field selectable in U.S. or S.I. units for velocity / flow and temperature. Password protected.
Power Supply:	24VAC (20-28VAC) or 24VDC (20-40VDC), isolated and fused with reverse polarity protection.
Power Consumption:	16 to 90VA, based on the quantity (1 to 32) of sensor nodes.
Outputs:	Dual analog outputs, field selectable via menu for 0-5VDC, 0-10VDC, or 4-20mA. Single alarm output, field programmable.
Analog Output Scaling:	Field programmable analog output scaling of airflow velocity and temperature. Velocity range for fan inlet applications: 0 to 10000 FPM. Temperature range: 0 to 140°F.
Analog Output Resolution:	0.02%
Analog Output Filtering:	Field programmable over 10:1 range.
Network Output Communication:	BACnet® or Modbus®.
Humidity Limits:	0 to 99% RH, non-condensing.
Temperature Limits:	-20°F to 180°F Storage; -20°F to 140°F Operating.
Electrical Connections:	Terminal strips with plug-in connectors for field wiring. Probe to transmitter connection via shielded plenum rated cable with mini-DIN Snap & Lock connector.
Enclosure:	NEMA 1 aluminum with hinged cover.
Approvals:	UL 60730 pending; BTL pending; FCC Part 15 Subpart B, Class A Device.

DIMENSIONAL INFORMATION



A01			A02			BACnet			ALARM			24V POWER			
+	COM		+	COM		A	B	G	SH	NO	C	NC	L	N	G
⊗	⊗	⊗	⊗	⊗	⊗	⊗	⊗	⊗	⊗	⊗	⊗	⊗	⊗	⊗	
1	2	3	4	5	6	7	8	9	10	11			1	2	3
											J2				
											J1				

TERMINALS (Located Inside Enclosure)



ELECTRA-flo PROBE & G5 TRANSMITTER

CONSTRUCTION OPTIONS

THERMAL AIRFLOW MEASURING SYSTEM

Probe

- Standard - Type 6063 Anodized Extruded Aluminum
- Type 316 Stainless Steel

Probe Connection Box

- Standard - Aluminum, NEMA 1
- Polycarbonate, NEMA 4X
- Stainless Steel, NEMA 4X

Transmitter Enclosure

- Standard - Aluminum, NEMA 1
- Fiberglass, NEMA 4X, with Clear Lid
- Stainless Steel, NEMA 4X
- Stainless Steel, NEMA 4X, with Window

Transmitter Cable

- Standard - 10' 25' 50' 100'

Cable Connections

- Standard - Cable with mini-DIN Connectors
- Liquid Tight Cordgrips
- Liquid Tight Flexible Conduit Fittings

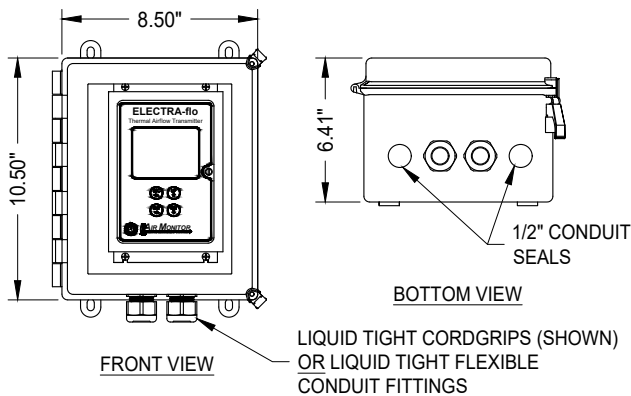
Network Communications

- BACnet® Modbus®

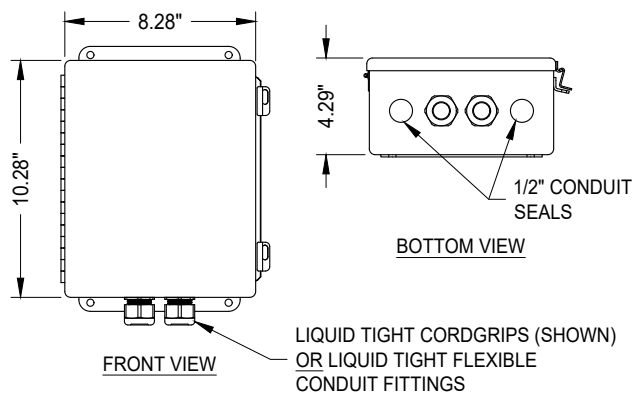
Transmitter Mounting

- Standard - Remote
- On ELECTRA-flo Station

G5 TRANSMITTER ENCLOSURE OPTIONS

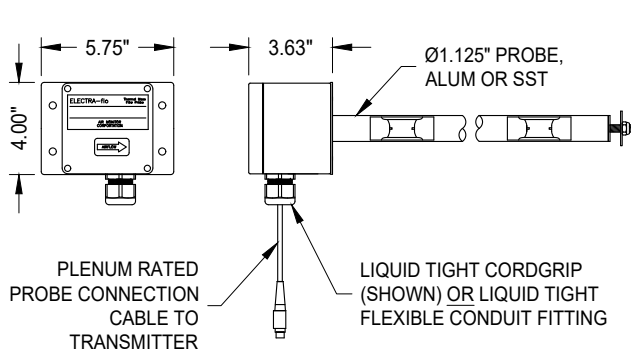


NEMA 4X - FIBERGLASS

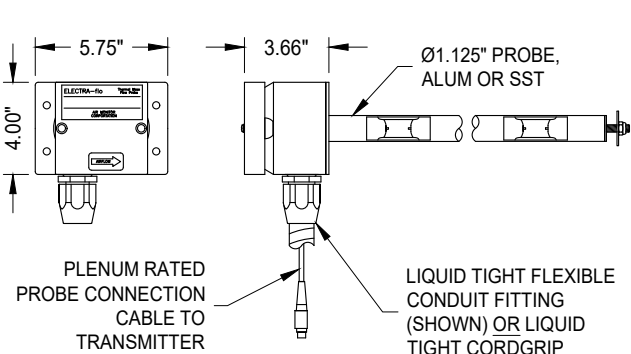


NEMA 4X - STAINLESS STEEL

PROBE CONNECTION BOX OPTIONS



NEMA 4X - POLYCARBONATE



NEMA 4X - STAINLESS STEEL

ELECTRA-flo/FI FAN WALL

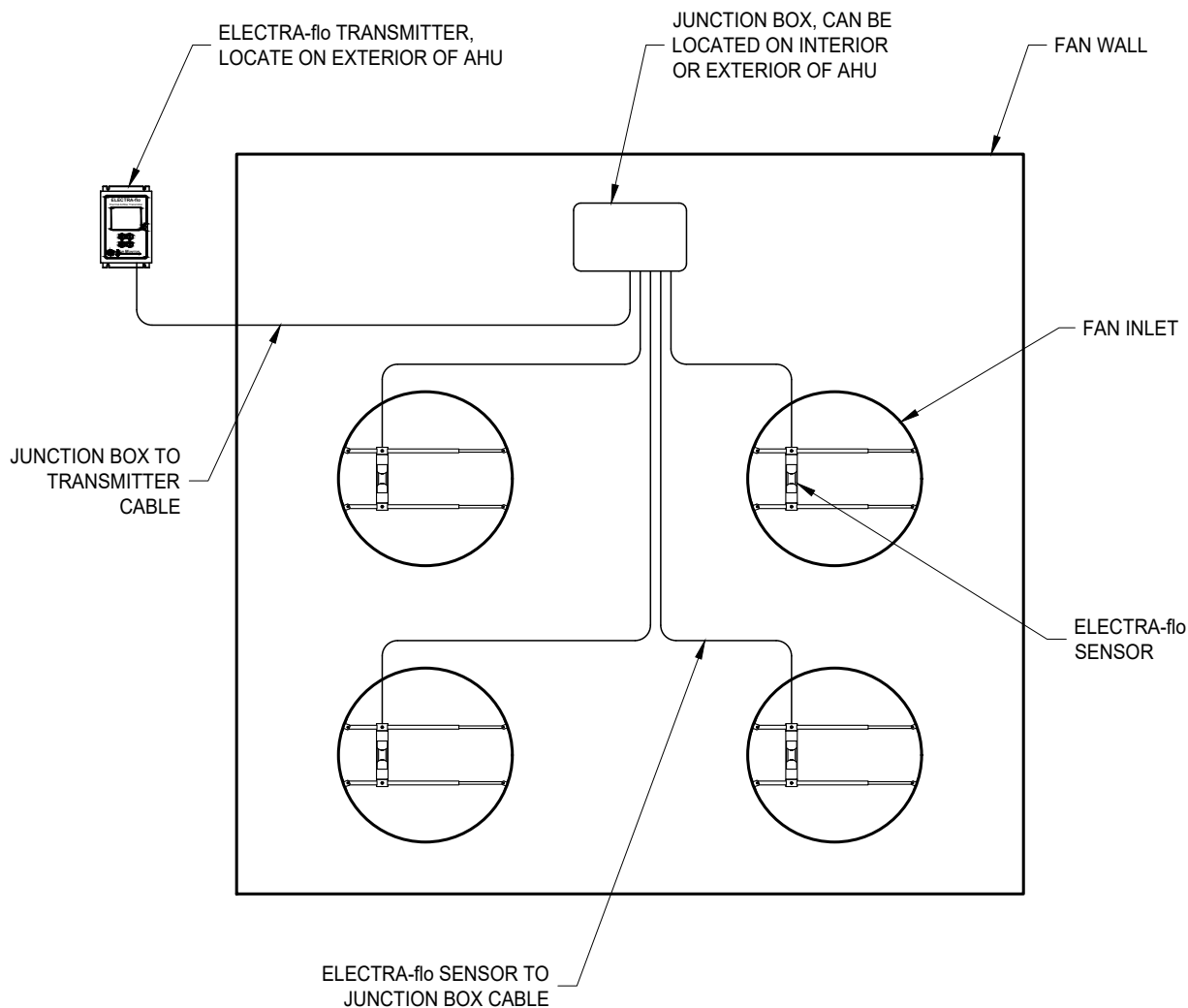
FAN WALL INLETS - SINGLE SENSOR CONFIGURATION

THERMAL AIRFLOW MEASURING SYSTEM

STANDARD SYSTEM CONSTRUCTION

Maximum Number of Fan Inlets:	32 per fan wall.
Number of Sensors:	1 per fan inlet, maximum of 32 per fan wall.
Sensor Construction & Specification:	See ELECTRA-flo/FI, Fan Inlet, Single Sensor Configuration.
Junction Box Quantity:	One junction box for 2 to 16 sensors, dual junction boxes for 18 to 32 sensors.
Junction Box Construction:	NEMA 4 polycarbonate enclosure with hinged cover and waterproof cable connectors.
Transmitter:	See ELECTRA-flo/FI Thermal Airflow Transmitter.
Sensor to Junction Box Connection:	Integral plenum rated with mini-DIN connector, 10' long.
Junction Box to Transmitter Connection:	Plenum rated cable with mini-DIN Snap & Lock connector, 10' long.

TYPICAL ARRANGEMENT



ELECTRA-flo/FI FAN WALL

FAN WALL INLETS - DUAL SENSOR CONFIGURATION

THERMAL AIRFLOW MEASURING SYSTEM

STANDARD SYSTEM CONSTRUCTION

Maximum Number of Fan Inlets:	16 per fan wall.
Number of Sensors:	2 per fan inlet, maximum of 32 per fan wall.
Sensor Construction & Specification:	See ELECTRA-flo/FI, Fan Inlet, Dual Sensor Configuration.
Junction Box Quantity:	One junction box for 2 to 16 sensors, dual junction boxes for 18 to 32 sensors.
Junction Box Construction:	NEMA 4 polycarbonate enclosure with hinged cover and waterproof cable connectors.
Transmitter:	See ELECTRA-flo/FI Thermal Airflow Transmitter.
Sensor to Junction Box Connection:	Integral plenum rated cable with mini-DIN connector, 10' long.
Junction Box to Transmitter Connection:	Plenum rated cable with mini-DIN Snap & Lock connector, 10' long.

TYPICAL ARRANGEMENT

