

COMBUSTION AIRFLOW (CA) STATION

CIRCULAR with Sensing Manifold Cleanout (C.O.) Plugs

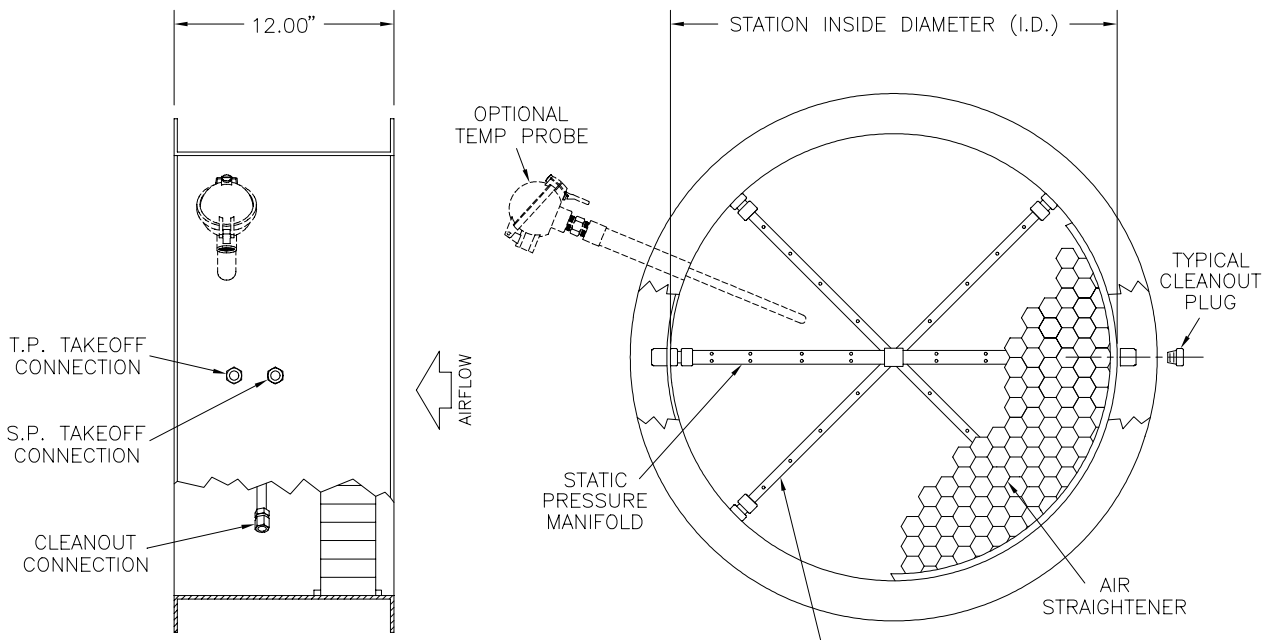
STANDARD CONSTRUCTION

Casing.	3/16" carbon steel, continuous welded.
Flanges.	2" wide, 3/16" carbon steel, welded to casing.
Air Straightener.	1" hexagonal cell, 3" deep, 0.022" thick, carbon steel.
Total Pressure (T.P.) Manifolds.	Type 316 stainless steel.
Static Pressure (S.P.) Manifolds.	Type 316 stainless steel.
Signal Connection Fittings.	1/2" FPT, 316 stainless steel. (with more than 24 T.P. sensors require 3/4" FPT.)
Manual Cleanout (C.O.) Plugs.	3/8" FPT, carbon steel.

OPTIONAL CONSTRUCTION

- | | |
|---|--|
| <ul style="list-style-type: none"> <input type="checkbox"/> 1/4" carbon steel casing and plate/bar flanges. <input type="checkbox"/> Special flanges. <input type="checkbox"/> Factory drilled bolt holes. | <ul style="list-style-type: none"> <input type="checkbox"/> Casing and flanges painted with iron oxide primer. <input type="checkbox"/> Temperature sensor and transmitter capable of 4-20mA output. <input type="checkbox"/> Bellmouth on air intake side. |
|---|--|

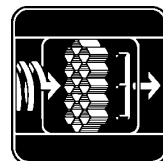
DIMENSIONAL SPECIFICATIONS



TOTAL PRESSURE TRAVERSE TABLE:

I.D.	TRAVERSES	SENSORS PER TRAVERSE
8" - 12"	2	6
>12" - 18"	2	8
>18" - 30"	3	6
>30" - 48"	3	8
>48" - 84"	3	10
>84"	3	12

QUANTITY OF TOTAL PRESSURE
MANIFOLD TRAVERSES IS DETERMINED
BY "I.D." DIMENSION (SEE TABLE)



AIR MONITOR
CORPORATION

P.O. Box 6358 • Santa Rosa, CA 95406 • (707) 544-2706 • (707) 526-2825 Fax