

ACCU-FLO / NP

MINIMUM INSTALLATION REQUIREMENTS

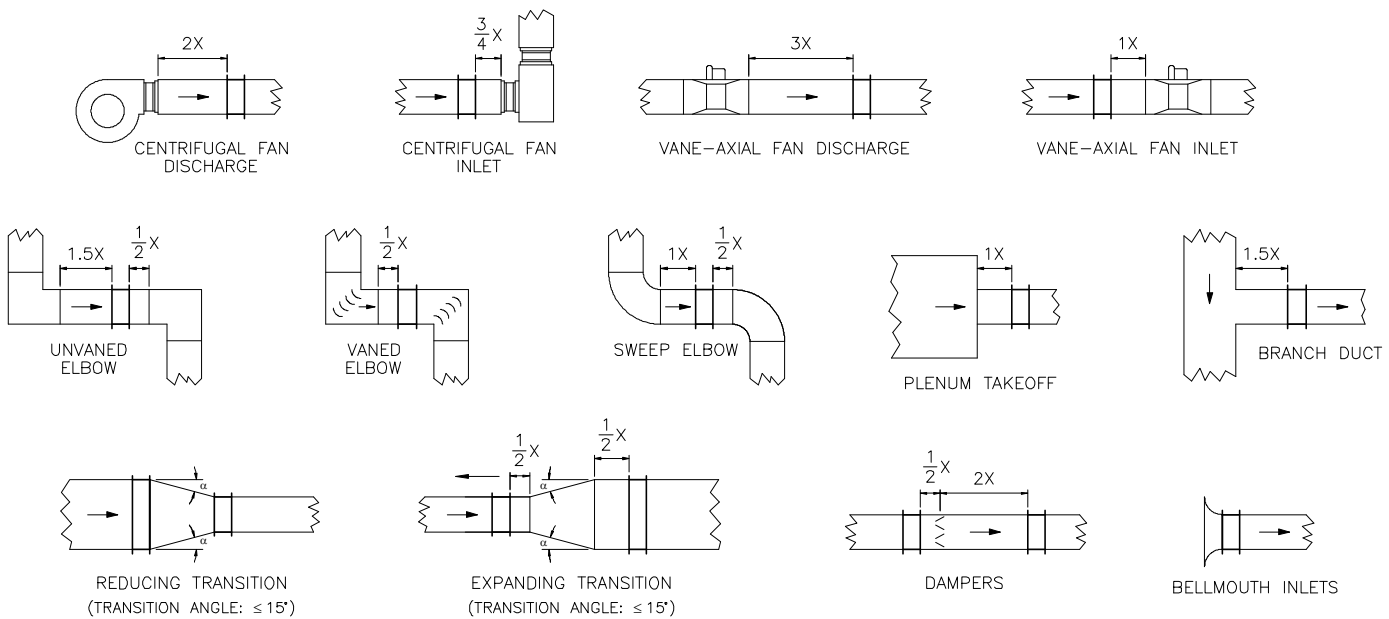
INSTALLATION CONSIDERATIONS. Installation factors to be considered when applying the ACCU-flo/NP are as follows:

Turbulent Airflow. The unique use of honeycomb airflow straightener in the ACCU-flo/NP will permit accurate flow measurement in the presence of moderate air turbulence. The distances from air turbulence producing fittings, transitions, etc., shown below in the Minimum Requirements for Installation, are required to assure accurate ACCU-flo/NP operation.

Airborne Contaminants. Industrial applications containing airborne contaminants may require periodic manual or automatic cleaning using compressed air applied via the signal fittings, and/or physical cleaning.

Direction of Airflow. The ACCU-flo/NP will function only with the airflow passing through the air straightener section prior to entering the total and static pressure sensing section. To prevent improper installation, each ACCU-flo/NP is marked with an arrow indicating the required direction of airflow.

MINIMUM REQUIREMENTS FOR INSTALLATION. Note: These installation locations indicate the minimum clearance from source of airflow disturbance. If more than the minimum is available, proportionally adjust the upstream and downstream clearances. Avoid locating the ACCU-flo/NP where it will be subjected to condensation from a coil or humidifier. Contact Air Monitor's Application Engineering Department to discuss sub-minimum installation.



Equivalent Duct Diameter X

Rectangular Duct: $X = \frac{2(H \times W)}{H + W}$

Circular Duct: X = Duct Diameter

