

# Adjustable Angle

BIMETAL THERMOMETERS



B85606 shown

- ▶ 3", 5" Dial Size
- ▶ ± 1.0% Full Scale Accuracy
- ▶ Stainless Steel Case & Stem
- ▶ External Reset

The Trerice **Adjustable Angle Bimetal Thermometer** can be configured to the most desirable viewing angle. This instrument has a hermetically sealed, stainless steel case designed to withstand the rigors of industrial environments, while producing an accurate, responsive measurement.

- Optional features available: Please consult the Options & Accessories Section for details.

#### Thermowell

- For corrosive or pressure applications, use of a thermowell is recommended to prevent damage to the thermometer and facilitate its removal from the process (refer to pages 163-169).

For correct use and application of all Bimetallic thermometers, please refer to the Bimetallic Actuated Thermometer Standard ASME B40.3.

## Specifications

| Models                | Dial Sizes   |
|-----------------------|--|
| B836                  | 3"   |
| B856                  | 5"   |
| <b>Case</b>           | 300 stainless steel, hermetically sealed   |
| <b>Stem</b>           | 300 stainless steel<br>1/4" diameter   |
| <b>Coil</b>           | Bimetallic, silicone dampened on ranges to 300°F (148°C), above 300°F not dampened |
| <b>Connection</b>     | Adjustable angle, 1/2 NPT  |
| <b>Window</b>         | Double strength glass  |
| <b>Pointer</b>        | Balanced, black finish   |
| <b>Dial Face</b>      | Aluminum, white background with black and blue graduations and markings            |
| <b>External Reset</b> | Yes  |
| <b>Accuracy</b>       | ±1.0 % Full Scale ASME B40.3 Grade A   |

#### Approximate Shipping Weight

B836: 1.1 lbs [0.5 kg]  
B856: 1.5 lbs [0.68 kg]

## HOW TO ORDER

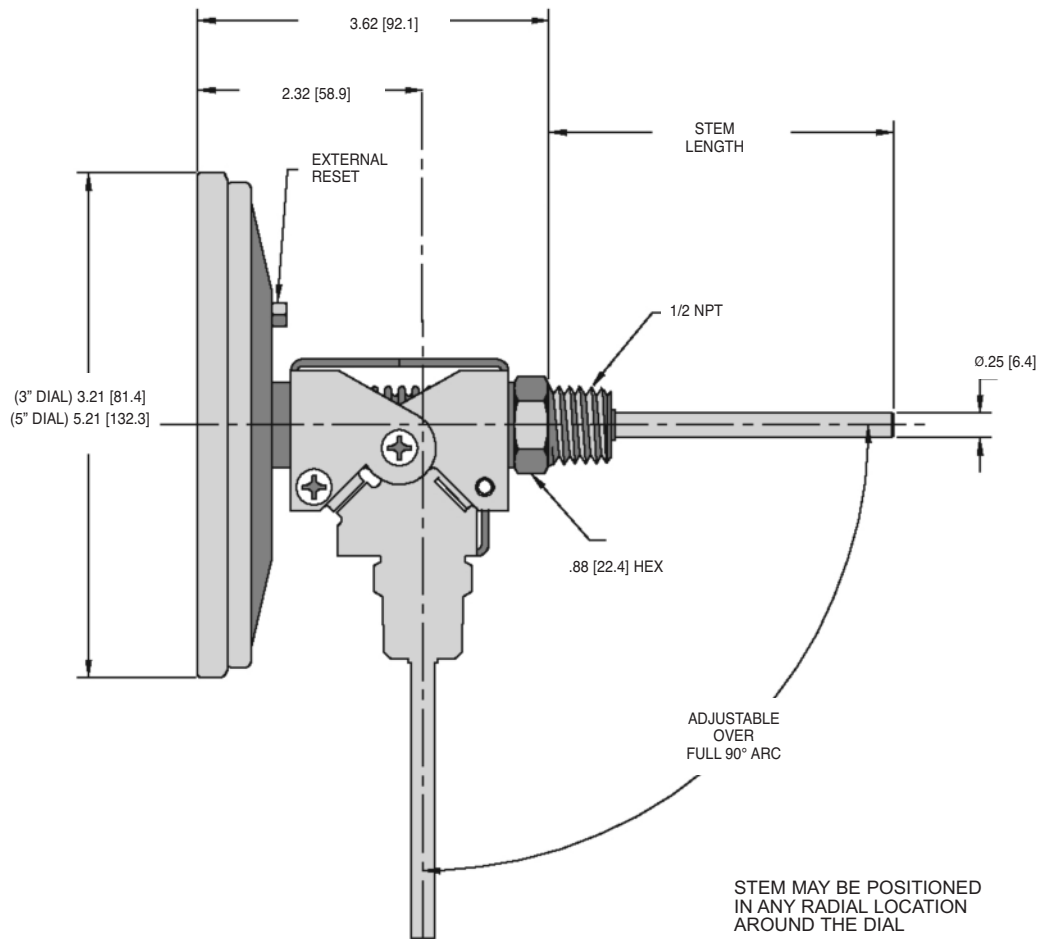
Sample Order Number: **B856 06 05**

| Model | Stem (Length)  | Range Code          |
|-------|----------------|---------------------|
| B836  | 02 2 1/2" Stem | See Standard Ranges |
| B856  | 04 4" Stem     |                     |
|       | 06 6" Stem     |                     |
|       | 09 9" Stem     |                     |
|       | 12 12" Stem    |                     |
|       | 15 15" Stem    |                     |
|       | 18 18" Stem    |                     |
|       | 24 24" Stem    |                     |

Other lengths available: Specify in inches (72" maximum)

# Adjustable Angle

All dimensions are nominal. Dimensions in [ ] are in millimeters.



BIMETAL THERMOMETERS

## Standard Ranges

| Dual Scale (Fahrenheit & Celsius Range) |                                | Fahrenheit only Range |                | Celsius only Range |               | Fahrenheit       |                 | Celsius          |                 |
|---|--------------------------------|-----------------------|----------------|--------------------|---------------|------------------|-----------------|------------------|-----------------|
| Range Code                              | Range                          | Range Code            | Range          | Range Code         | Range         | Figure Intervals | Minor Divisions | Figure Intervals | Minor Divisions |
| 01*†                                    | -100° to 100°F & -75° to 40°C  | 01F*†                 | -100° to 100°F | 01C*†              | -75° to 40°C  | 20°              | 2°              | 10°              | 1°              |
| 02                                      | -40° to 160°F & -40° to 70°C   | 02F                   | -40° to 160°F  | 02C                | -40° to 70°C  | 20°              | 2°              | 10°              | 1°              |
| 12*†                                    | 0° to 100°F & -20° to 40°C     | 12F*†                 | 0° to 100°F    | 12C*†              | -20° to 40°C  | 10°              | 1°              | 10°              | 1°              |
| 03*†                                    | 25° to 125°F & -5° to 50°C     | 03F*†                 | 25° to 125°F   | 03C*†              | -5° to 50°C   | 10°              | 1°              | 5°               | 1/2°            |
| 04                                      | 0° to 200°F & -20° to 95°C     | 04F                   | 0° to 200°F    | 04C                | -20° to 95°C  | 20°              | 2°              | 10°              | 1°              |
| 05                                      | 20° to 240°F & -10° to 115°C   | 05F                   | 20° to 240°F   | 05C                | -10° to 115°C | 20°              | 2°              | 10°              | 1°              |
| 27                                      | 0° to 250°F & -20° to 120°C    | 27F                   | 0° to 250°F    | 27C                | -20° to 120°C | 50°              | 2°              | 20°              | 2°              |
| 06                                      | 50° to 300°F & 10° to 150°C    | 06F                   | 50° to 300°F   | 06C                | 10° to 150°C  | 50°              | 2°              | 20°              | 2°              |
| 07                                      | 50° to 400°F & 10° to 200°C    | 07F                   | 50° to 400°F   | 07C                | 10° to 200°C  | 50°              | 5°              | 50°              | 2°              |
| 08                                      | 50° to 500°F & 10° to 260°C    | 08F                   | 50° to 500°F   | 08C                | 10° to 260°C  | 50°              | 5°              | 50°              | 2°              |
| 09*                                     | 150° to 750°F & 50° to 400°C   | 09F*                  | 150° to 750°F  | 09C*               | 50° to 400°C  | 100°             | 10°             | 50°              | 5°              |
| 10*                                     | 200° to 1000°F & 100° to 550°C | 10F*                  | 200° to 1000°F | 10C*               | 100° to 550°C | 100°             | 10°             | 100°             | 5°              |

\* Minimum stem length for these ranges is 4".

† Minimum insertion length for these ranges is 3".

See Thermowells for Bimetal Thermometers & Temperature Sensors (page 163-169) for applicable insertion lengths.