

Data Sheet

ECtemp Next / Next Plus Electric Floor Heating Room Thermostats

Application



ECtemp Next



ECtemp Next Plus

All room thermostats are used for room temperature control in electric floor heating systems. By controlling room temperature in accordance with the temperature desired by the user, the room thermostats provide optimal energy savings while upholding optimal thermal comfort in the room.

Functions

- Modern design with white backlight.
- **AWAY** function.
- **Child safety lock.**
- **3 selectable temperature control modes:**
 1. Room and floor temp. control (default).
 2. Only floor temp. control.
 3. Only room temp. control. (Please contact Danfoss how to set the only room temperature control)
- **Maximum floor temperature limitation**
- **Optional room temperature display** when power is OFF (default setting: no display).
- **Frost protection mode.** Use this feature instead of turning the thermostat OFF completely to protect against damages due to low temperatures. The room temperature will be maintained around 5° C.

- **Temperature calibration.** This function allows you to change the temperature setpoint of the room thermostat, to compensate for a possible temperature deviation between the room thermostat and, for example, the centre of the room.
- **Some features are only for ECtemp Next Plus as follows:**
- **Advanced programmable timer.** This function allows you to set a timer-controlled program for automatic comfort temperature and energy-saving lower setback temperature when standard room comfort temperature is not required. Programmable 5/2-day feature with 4 time segments
- **Clock in 12-hour or 24-hour format**

Ordering

Product Type	Supply voltage	Output voltage	Programmable	Code no.
ECtemp Next	85–250 V AC	85–250 V AC	No	088L0120
ECtemp Next Plus	85–250 V AC	85–250 V AC	Yes	088L0121

Technical specifications

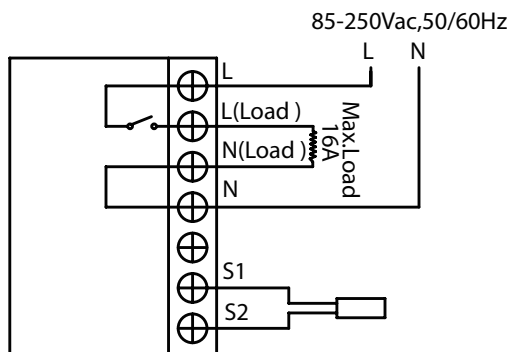
Feature	ECtemp Next	ECtemp Next Plus
Type	LCD display with push buttons	LCD display with push buttons, programmable
Operating room temperature	5 - 35° C	
Operating floor temperature	5 - 45° C *	
Ambient temperature	-10 - 60° C	
Fault indication	Yes	
Hysteresis	1° C, symmetrical around the setpoint temperature	
LCD backlight	Yes, white	
Max. load, inductive	< 3 A	
Max. load, resistive	< 16 A	
Temperature calibration	Yes (+/-10° C)	
Power consumption	2 W	
Power supply	85–250 V AC, 50/60 Hz	
Sensor, room	NTC 100K, accuracy: ±1%	
Sensor, floor	NTC 15K, accuracy: ±1%	
Shell material	ABS, non-inflammable	
IP class	30	
Approval	CE marking, EN 60730	
Colour	White RAL9010/Dark Grey RAL7024	
Dimensions	86 × 86 × 16.0 mm	

* It will be possible to set the maximum floor temperature up to 45° C. Furthermore, it will be possible to use only a room sensor. However, this option is not recommendable due to an increased risk of overheating the floor.

Please contact Danfoss how to extend the maximum floor temperature and set the only room temperature control mode.

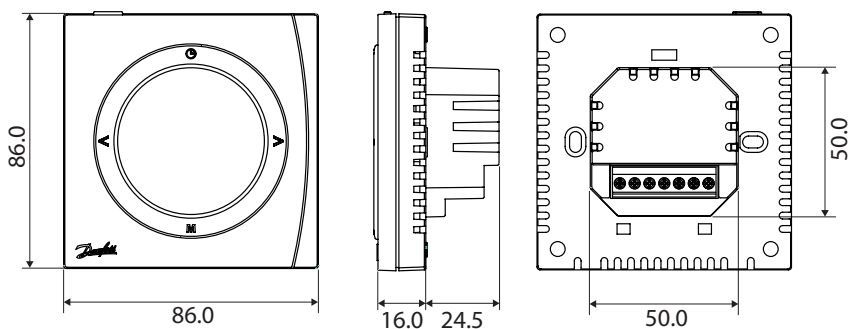
IMPORTANT: When the thermostat is used to control a floor heating element in connection with a wooden floor or similar material, always use a floor sensor and never set the maximum floor temperature to more than 35° C

Wiring connections



Dimensions

Room Thermostat, ECtemp Next / Next Plus



Danfoss can accept no responsibility for possible errors in catalogues, brochures and other printed material. Danfoss reserves the right to alter its products without notice. This also applies to products already on order provided that such alterations can be made without subsequential changes being necessary in specifications already agreed. All trademarks in this material are property of the respective companies. Danfoss and the Danfoss logotype are trademarks of Danfoss A/S. All rights reserved.