

CAMS – High Capacity with Rapid Stop COMBUSTION AIRFLOW MANAGEMENT SYSTEM

STANDARD CONSTRUCTION

- Brass and Copper Construction All wetted tubing, fittings, and valves constructed of copper and/or brass. Enclosure is NEMA 4 painted steel. External connection fittings are stainless steel FPT.
- Stainless Steel Construction All wetted tubing, fittings, and valves constructed of 316 stainless steel. Enclosure is NEMA 4 painted steel. External connection fittings are stainless steel FPT.

OPTIONAL CONSTRUCTION

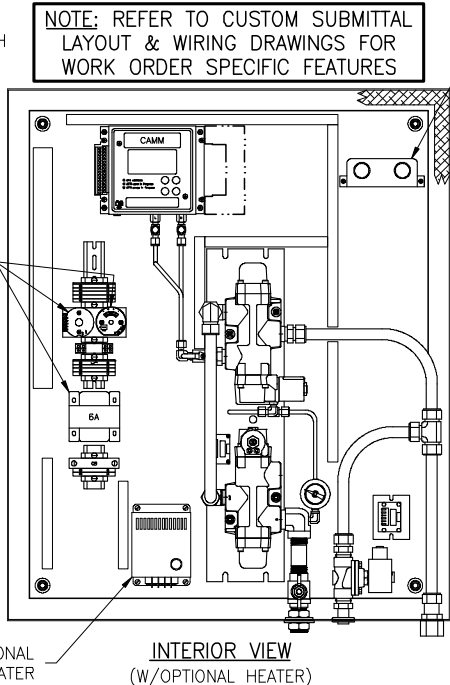
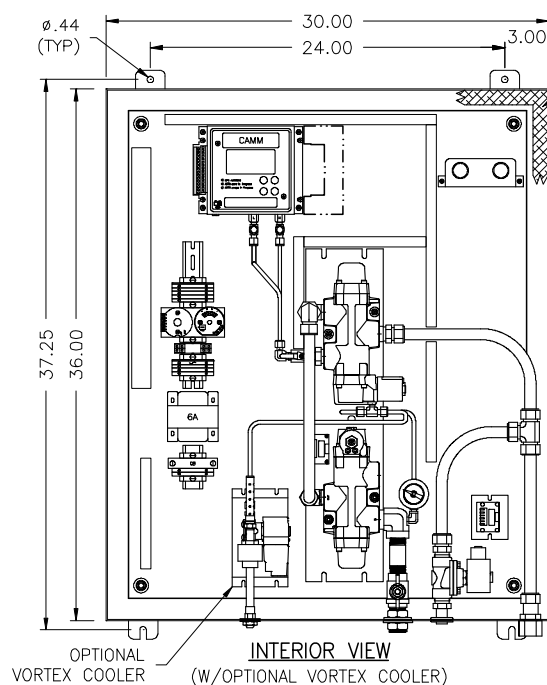
- NEMA 4X Stainless Steel Enclosure
- Vortex Cooler. Requires 80-100 psi air supply*
- Enclosure Heater. Requires 120VAC power supply**
- Purge start and/or purge interrupt pushbuttons
 - Panel mounted Door mounted
- Viewing Window

Power Supply

(check one)	In Rush	Hold
<input type="checkbox"/> 24VAC	225VA	123VA
<input type="checkbox"/> 24VDC	61W	61W
<input type="checkbox"/> 120VAC	282VA	155VA

* Add 21VA In Rush, 12VA Hold (8W) for 400 BTUH @ 100 psig ≤70°F
 **Add 1.7A @ 120VAC for 200 watt heater

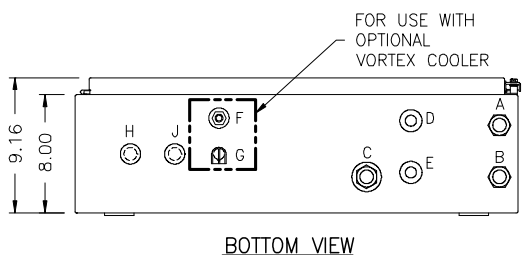
DIMENSIONAL SPECIFICATIONS



NOTE: REFER TO CUSTOM SUBMITTAL LAYOUT & WIRING DRAWINGS FOR WORK ORDER SPECIFIC FEATURES

OPTIONAL PURGE START & PURGE INTERRUPT PUSHBUTTONS

OPTIONAL AVERAGING BOARD, TEMPERATURE TRANSMITTER, TRANSFORMER



CONNECTION CODE:

A. STATIC PRESSURE (LO) SIGNAL FROM FLOW ELEMENT	3/4" (F)NPT
B. TOTAL PRESSURE (HI) SIGNAL FROM FLOW ELEMENT	3/4" (F)NPT
C. SUPPLY AIR 80-125 PSIG	3/4" (F)NPT
D. STATIC PRESSURE RAPID STOP VENT	N/A
E. TOTAL PRESSURE RAPID STOP VENT	N/A
F. VORTEX COOLER EXHAUST	N/A
G. VORTEX COOLER ENCLOSURE VENT	N/A
H. ELECTRICAL CONNECTION POWER WIRING	1/2" CONDUIT SEAL
J. ELECTRICAL CONNECTION SIGNAL WIRING	1/2" CONDUIT SEAL

