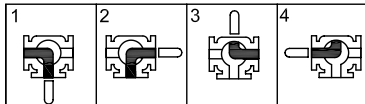




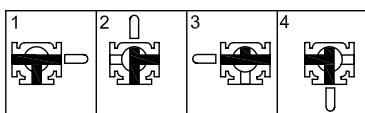
This investment cast 3-way valve can be an economical option for flow patterns that normally require multiple 2-way valves. Available in L or T port configurations, this valve is excellent for diverting flow within control loop processes. The ISO 5211 mounting pad optimizes quick & easy automation. Available only in 316 stainless steel with RTFE seat trim.

VALVE SIZE	VALVE Cv "L"	VALVE Cv "T"
1/4"	3	3.5
3/8"	3.5	4
1/2"	4.2	5
3/4"	7	8
1"	14	20
1-1/4"	19	30
1-1/2"	35	40
2"	45	60

Flow Patterns for L-Port



Flow Patterns for T-Port



Easy to Automate!

See automated data sheets for pre-sized assemblies



Pneumatic



Electric



Series 38
3-Way
Ball Valve
Threaded

Sizes 1/4" - 2"

1000 psi

316SST

Regular Port Design

Threaded Ends

ISO 5211 Actuator Mounting Pad

Blowout Proof Stem

4 Seat Design (RTFE standard)

"L" or "T" Port Option

Lockable Manual Handle

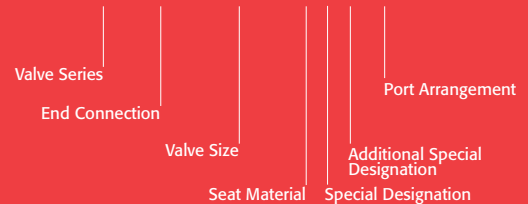
STANDARDS

Design	EN-1983, EN-12516-3
End Connections	ASME B1.20.1
Pressure Testing	EN-1226-1
Mounting	ISO 5211
Marking System for Valves	EN 19
Material Certification	EN 10204-3.1 MTR
Quality Assurance	ISO 9001:2015

HOW TO ORDER
MANUAL VALVES

SAMPLE PART #

38-TH-0025-XXX-T

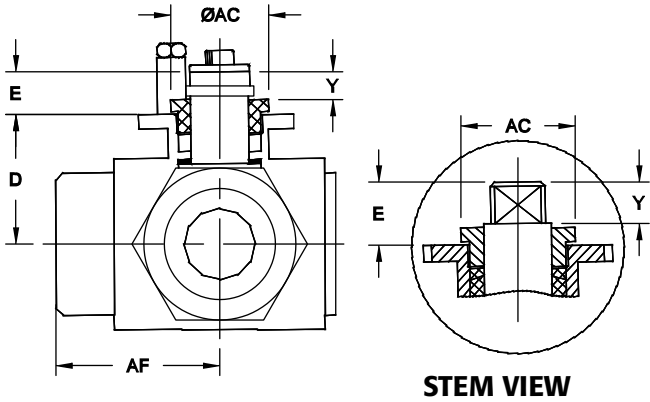


See part number matrix for itemized options

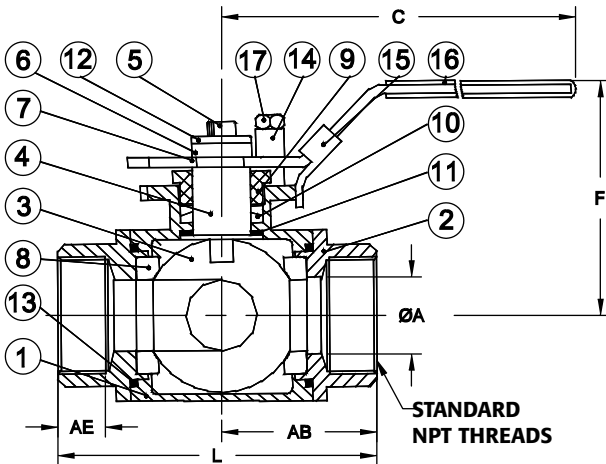
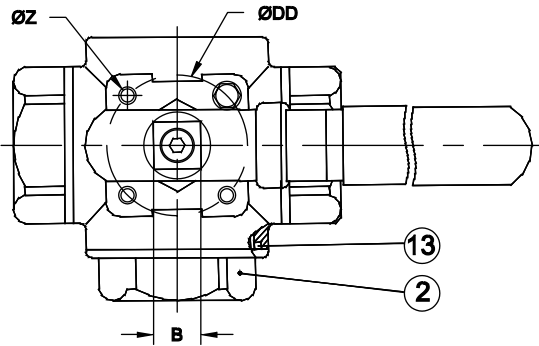
Series 38

Three-Way Threaded Ball Valve Regular Port, L or T Option

1000 psi
1/4" to 2"



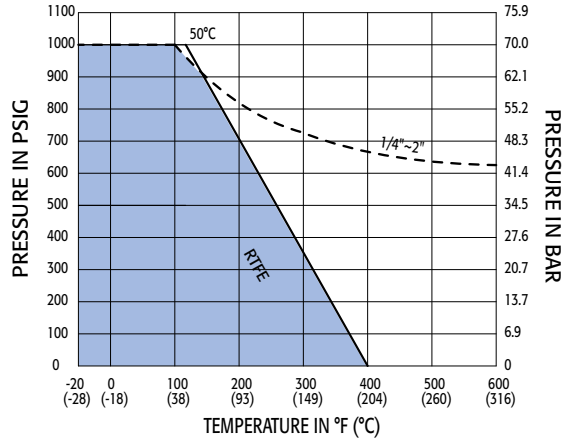
STEM VIEW



DIMENSIONS (IN)

SIZE	A	B	C	D	E	F	L	Y	Z	AB	AC	AE	AF	DD	ISO 5211	LBS
1/4"	0.43	0.354	5.25	1.06	0.42	2.39	2.73	0.20	M5	1.37	0.87	0.61	1.37	1.654	F04	1.32
3/8"	0.43	0.354	5.25	1.06	0.42	2.39	2.73	0.20	M5	1.37	0.87	0.61	1.37	1.654	F04	1.32
1/2"	0.49	0.354	5.25	1.20	0.42	2.52	2.98	0.19	M5	1.49	0.87	0.68	1.49	1.654	F04	1.54
3/4"	0.63	0.433	7.03	1.45	0.55	3.24	3.41	0.28	M6	1.70	1.22	0.76	1.70	1.969	F05	2.42
1"	0.79	0.433	7.03	1.60	0.79	3.39	4.03	0.45	M6	2.02	1.22	0.85	2.02	1.969	F05	3.86
1-1/4"	0.98	0.433	8.26	1.85	0.94	3.60	4.65	0.63	M6	2.33	1.22	0.93	2.33	1.969	F05	5.33
1-1/2"	1.26	0.433	8.19	2.14	1.02	4.04	4.95	0.61	M8	2.48	1.22	0.92	2.48	2.756	F07	7.49
2"	1.50	0.551	9.05	2.48	1.00	4.36	5.87	0.61	M8	2.93	1.34	1.00	2.93	2.756	F07	12.00

Pressure vs. Temperature Chart for Valves 1/4" to 2"



Break Away Torque for RTFE Seats	
SIZE	IN-LBS.
1/4"	65
3/8"	65
1/2"	90
3/4"	118
1"	200
1-1/4"	315
1-1/2"	440
2"	528

NOTE: Dotted line shows the rating for valve body. Solid line shows the rating for valve seat. Both ratings need to be considered when determining the limitation of the valve for specific application.

MATERIAL LIST

NO.	PART NAME	QTY	MATERIAL	REPAIR KIT
1	BODY	1	ASTM A351 GRADE CF8M	
2	END CAP	3	ASTM A351 GRADE CF8M	
3	BALL	1	1/4" THRU 3/8" ASTM A276 SS316	
3	BALL	1	1/2" THRU 2" ASTM A351 GRADE CF8M	
4	STEM	1	ASTM A276 SS316	
5	STEM NUT	2	AISI 304	
6	STEM WASHER	1	AISI 304	
7	HANDLE	1	AISI 304	
8	SEAT	4	RTFE	✓
9	GLAND NUT	1	AISI 304	
10	GLAND PACKING	1	PTFE	✓
11	THRUST WASHER	1	RTFE	✓
12	STEM SPACER	1	AISI 304	
13	JOINT GASKET	3	PTFE	✓
14	SPACER	1	AISI 304	
15	HANDLE LOCK	1	AISI 304	
16	HANDLE SLEEVE	1	VINYL	
17	STOP BOLT	1	AISI 304	

Pneumatic Double Acting

Automated Ball Valve Package

Series 38 3-Way Ball Valve

Sizes 1/4" - 2"

1000 psi

316SST

Regular Port Design

Threaded Ends

ISO 5211 Actuator Mounting Pad

Blowout Proof Stem

4 Seat Design (RTFE standard)

"L" or "T" Port Option

Lockable Manual Handle

STANDARDS

Design	EN-1983, EN-12516-3
End Connections	ASME B1.20.1
Pressure Testing	EN-1226-1
Mounting	ISO 5211
Marking System for Valves	EN 19
Material Certification	EN 10204-3.1 MTR
Quality Assurance	ISO 9001:2015

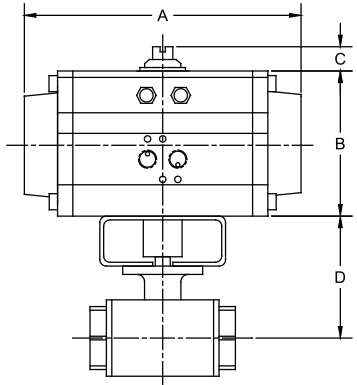
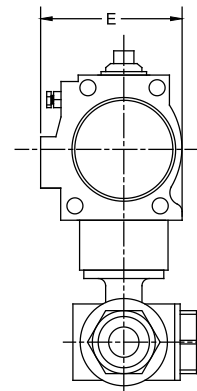


Threaded 3-Way

DIMENSIONS (IN)

VALVE SIZE	A	B	C	D	E
1/4"	5.98	2.76	0.79	2.54	2.58
3/8"	5.98	2.76	0.79	2.54	2.58
1/2"	5.98	2.76	0.79	2.68	2.58
3/4"	5.98	2.76	0.79	3.03	2.58
1"	7.95	3.43	0.79	3.18	3.29
1-1/4"	9.29	4.49	0.79	3.43	4.41
1-1/2"	9.29	4.49	0.79	3.72	4.41
2"	9.29	4.49	0.79	4.06	4.41

VALVE Cv	
T-PORT STRAIGHT THRU	L-PORT 90°
3	3.5
3.5	4
4.2	5
7	8
14	20
19	30
35	40
45	60



SERIES 38 3-Way

DIMENSIONS SHOWN ARE FOR ASSEMBLIES SIZED FOR 80 PSI SUPPLY

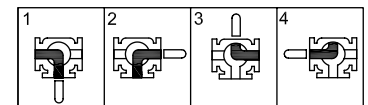
SIZED FOR 80 psi AIR SUPPLY

SIZE	MODEL
1/4"	38-TX-025/TR1D-XX-T
3/8"	38-TX-038/TR1D-XX-T
1/2"	38-TX-050/TR1D-XX-T
3/4"	38-TX-075/TR1D-XX-T
1"	38-TX-100/2R2D-XX-T
1-1/4"	38-TX-125/2R3D-XX-T
1-1/2"	38-TX-150/2R3D-XX-T
2"	38-TX-200/2R3D-XX-T

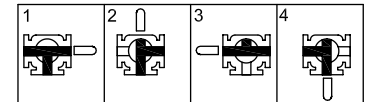
SIZED FOR 60 psi AIR SUPPLY

SIZE	MODEL
1/4"	38-TX-025/TR1D-XX-T
3/8"	38-TX-038/TR1D-XX-T
1/2"	38-TX-050/2R2D-XX-T
3/4"	38-TX-075/2R2D-XX-T
1"	38-TX-100/2R3D-XX-T
1-1/4"	38-TX-125/2R3D-XX-T
1-1/2"	38-TX-150/2R3D-XX-T
2"	38-TX-200/2R4D-XX-T

Flow Patterns for L-Port

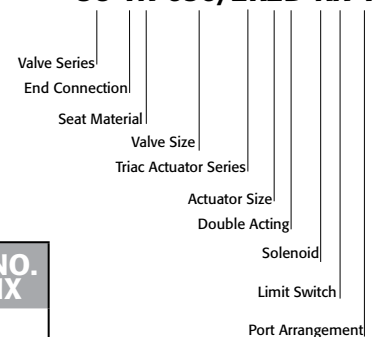


Flow Patterns for T-Port



SAMPLE PART

38-TX-050/2R2D-XX-T



See part number matrix for itemized options

OPTIONS

DESCRIPTION	PART NO. SUFFIX	DESCRIPTION	PART NO. SUFFIX
NEMA 4 Solenoid	(A)	NEMA 4 Limit Switch (2) spdt	(A)
NEMA 7 Solenoid	(B)	NEMA 7 Limit Switch (2) spdt	(B)
Intrinsically Safe Solenoid	(C)	Intrinsically Safe Limit Switch	(C)

Other options available - call for details
Specify flow pattern when ordering (see back)
Actuators are sized based on clean/clear fluid.

Pneumatic Spring Return

Automated Ball Valve Package

Series 38 3-Way Ball Valve

Sizes 1/4" - 2"

1000 psi

316SST

Regular Port Design

Threaded Ends

ISO 5211 Actuator Mounting Pad

Blowout Proof Stem

4 Seat Design (RTFE standard)

"L" or "T" Port Option

Lockable Manual Handle

STANDARDS

Design	EN-1983, EN-12516-3
End Connections	ASME B1.20.1
Pressure Testing	EN-1226-1
Mounting	ISO 5211
Marking System for Valves	EN 19
Material Certification	EN 10204-3.1 MTR
Quality Assurance	ISO 9001:2015



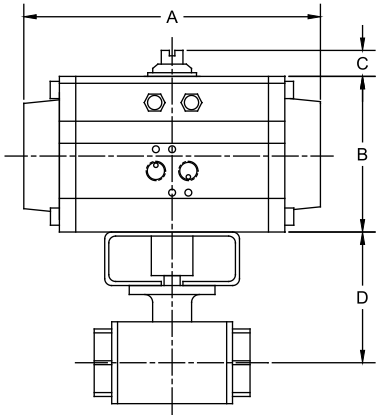
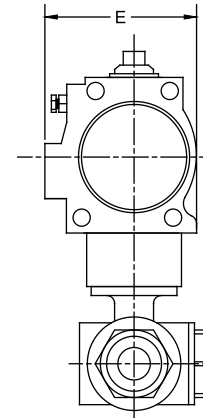
Threaded 3-Way

DIMENSIONS (IN)

VALVE SIZE	A	B	C	D	E
1/4"	7.95	3.43	0.79	2.54	3.29
3/8"	7.95	3.43	0.79	2.54	3.29
1/2"	7.95	3.43	0.79	2.68	3.29
3/4"	9.29	4.49	0.79	3.03	4.41
1"	9.29	4.49	0.79	3.18	4.41
1-1/4"	10.87	4.88	0.79	3.43	4.82
1-1/2"	11.46	5.28	0.79	3.72	5.20
2"	13.90	6.18	0.79	4.45	6.04

VALVE Cv	
T-PORT STRAIGHT THRU	L-PORT 90°
3	3.5
3.5	4
4.2	5
7	8
14	20
19	30
35	40
45	60

DIMENSIONS SHOWN ARE FOR ASSEMBLIES SIZED FOR 80 PSI SUPPLY

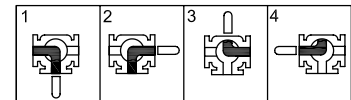


SERIES 38 3-Way

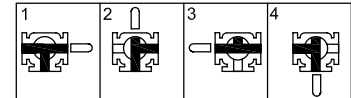
SIZED FOR 80 psi AIR SUPPLY	
SIZE	MODEL
1/4"	38-TX-025/2R2S-XX-T
3/8"	38-TX-038/2R2S-XX-T
1/2"	38-TX-050/2R2S-XX-T
3/4"	38-TX-075/2R3S-XX-T
1"	38-TX-100/2R3S-XX-T
1-1/4"	38-TX-125/2R4S-XX-T
1-1/2"	38-TX-150/2R5S-XX-T
2"	38-TX-200/2R6S-XX-T

SIZED FOR 60 psi AIR SUPPLY	
SIZE	MODEL
1/4"	38-TX-025/2R2S-XX-T
3/8"	38-TX-038/2R2S-XX-T
1/2"	38-TX-050/2R2S-XX-T
3/4"	38-TX-075/2R3S-XX-T
1"	38-TX-100/2R3S-XX-T
1-1/4"	38-TX-125/2R4S-XX-T
1-1/2"	38-TX-150/2R5S-XX-T
2"	38-TX-200/2R6S-XX-T

Flow Patterns for L-Port

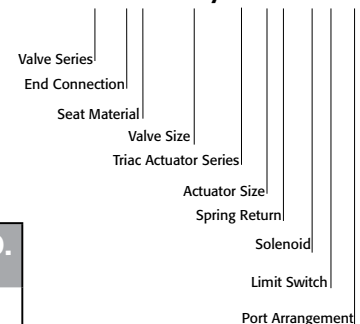


Flow Patterns for T-Port



SAMPLE PART

38-TX-050/2R2S-XX-T



See part number matrix for itemized options

OPTIONS

DESCRIPTION	PART NO. SUFFIX	DESCRIPTION	PART NO. SUFFIX
NEMA 4 Solenoid	(A)	NEMA 4 Limit Switch (2) spdt	(A)
NEMA 7 Solenoid	(B)	NEMA 7 Limit Switch (2) spdt	(B)
Intrinsically Safe Solenoid	(C)	Intrinsically Safe Limit Switch	(C)

Other options available - call for details
Specify flow pattern when ordering (see back)
Actuators are sized based on clean/clear fluid.

Electric

Automated Ball Valve Package

Series 38 3-Way Ball Valve

Sizes 1/4" - 2"

1000 psi

316SST

Regular Port Design

Threaded Ends

ISO 5211 Actuator Mounting Pad

Blowout Proof Stem

4 Seat Design (RTFE standard)

"L" or "T" Port Option

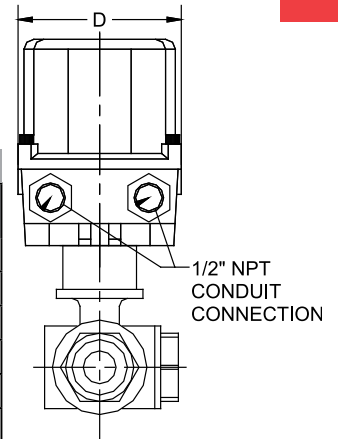
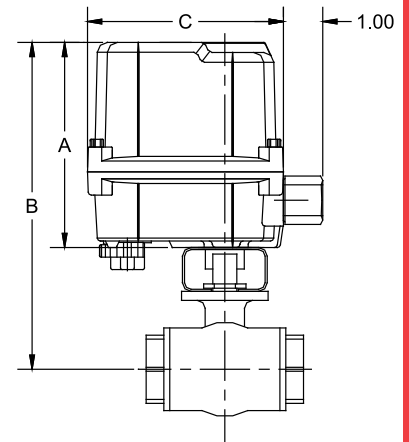
Lockable Manual Handle

STANDARDS

Design	EN-1983, EN-12516-3
End Connections	ASME B1.20.1
Pressure Testing	EN-1226-1
Mounting	ISO 5211
Marking System for Valves	EN 19
Material Certification	EN 10204-3.1 MTR
Quality Assurance	ISO 9001:2015



Threaded 3-Way



DIMENSIONS (IN)

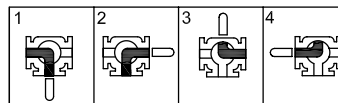
VALVE SIZE	A	B	C	D	E
1/4"	5.24	7.78	4.94	4.08	2.58
3/8"	5.24	7.78	4.94	4.08	2.58
1/2"	5.24	7.92	4.94	4.08	2.58
3/4"	5.24	8.26	4.94	4.08	2.58
1"	5.24	8.42	4.94	4.08	3.29
1-1/4"	5.24	8.66	4.94	4.08	4.41
1-1/2"	9.25	13.36	6.69	10.16	4.41
2"	9.25	13.70	6.69	10.16	4.41

VALVE Cv	
T-PORT STRAIGHT THRU	L-PORT 90°
3	3.5
3.5	4
4.2	5
7	8
14	20
19	30
35	40
45	60

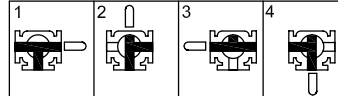
ON-OFF

SIZE	MODEL
1/4"	38-TX-025/WEA1-XX-T
3/8"	38-TX-038/WEA1-XX-T
1/2"	38-TX-050/WEA1-XX-T
3/4"	38-TX-075/WEA1-XX-T
1"	38-TX-100/WEA1-XX-T
1-1/4"	38-TX-125/WEA1-XX-T
1-1/2"	38-TX-150/WEB1-XX-T
2"	38-TX-200/WEB1-XX-T

Flow Patterns for L-Port

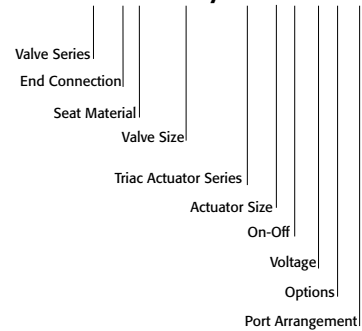


Flow Patterns for T-Port



SAMPLE PART

38-TX-050/WEA1-XX-T



OPTIONS

DESCRIPTION
24 VAC/24 VDC/220VAC
Feedback signals

NOTE: Heater and thermostat standard
 (2) auxiliary switches standard
 Other options available - call for details
 Actuators are sized based on clean/clear fluid.

Valve Options

Various Seat Materials

PTFE, RTFE, 50/50 STFE, 25% CTFE, Delrin, PEEK, UHMWPE, TFM-1600

Operator Options

Quarter-turn Gear Operators
Spring Return "Deadman" Handles
Oval handles, TEE Handles

Specials and Solutions

Steam Jackets
Stem Extensions
V-ported Control Valves
Multi-port Valve Solutions
Fugitive Emissions Bonnets (TSM's)
Oxygen Cleaning
Lockout Brackets
Vented Balls
"No Play" Mounting Kits

• FM Approved Valves and Assemblies



Manual and automated valve assemblies for gas burner management applications and safety shutoff

Other Products

Special Seats Balls and Seal Designs



Steam Jacketed Valves



Floor Mounted Damper Drives



Limit Switches Mounted on Manual Valves



Fusible Link Assemblies



180° Actuators



Lockout Mounting Kits



Stem Extensions



Special Multi-Port Valves



Dual Valve Assemblies

