



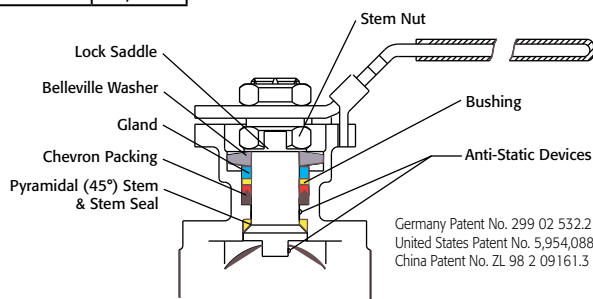
Triac 77 Series Ball Valves feature a high quality 316L investment casting. They are available with sanitary clamp or tube OD ends. Select the cavity filled or non-cavity filled design.

Superior leak protection is accomplished by using a live-loaded packing system featuring Belleville washers and double "V" ring packing. An ISO 5211 mounting pad is provided for easy automation.

VALVE SIZE	VALVE Cv
1/2"	10
3/4"	30
1"	65
1-1/2"	200
2"	410
2-1/2"	600
3"	1,050
4"	1,900

**Excellent for:**

- Pharmaceutical
- Food and Beverage
- Paint and Solvents
- Viscous Fluids
- Confectionaries



**Easy to Automate!**

See automated data sheets for pre-sized assemblies



**Pneumatic**



**Electric**



# Series 77 Sanitary End 3-Piece Design

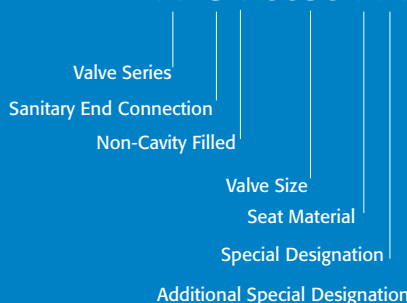
- Sizes 1/2" - 4"
- 393 to 1000 psi (by size)
- Available in 316L
- Cavity Filled and Non-Cavity Filled
- Sanitary Clamp Ends or Tube OD Ends
- Tube Pipe Design
- Superior Live Loaded Packing System
- ISO 5211 Actuator Mounting Pad
- Blowout Proof Stem w/ Dual Anti-Static Device
- Pyramidal Stem Seal Design
- Lockable Manual Handle

**STANDARDS**

Design	ASME B16.34
End Connections	ASME BPE-2019
Pressure Testing	API 598
Mounting	ISO 5211
Marking System for Valves	MSS SP-25, ISO 5209
CE Approval	PED 97/23/EC Module H
Safety Integrity	IEC 61508:2010; SIL 3
Material Certification	EN 10204-3.1 MTR
Quality Assurance	ISO 9001:2015

**HOW TO ORDER MANUAL VALVES**

SAMPLE PART #  
**77-SA-0050-PXX**



See part number matrix for itemized options



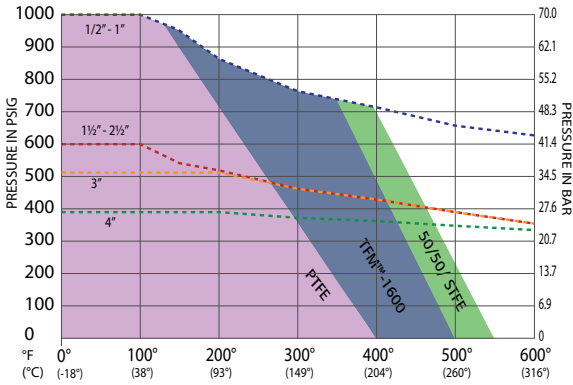
9955 International Blvd.  
Cincinnati, Ohio 45246  
www.atcontrols.com

PHONE (513) 247-5465  
FAX (513) 247-5462  
sales@atcontrols.com

# Series 77

## 3-Piece Sanitary End Ball Valve Tube Pipe Design

## Standard (15-20 RA) 240 Grit Internal Polish Cavity-Filled or Non-Cavity Filled

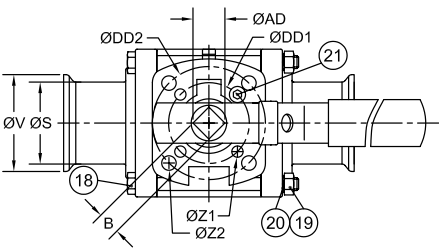


Pressure vs. Temperature | Series 77  
Body/End Cap/Seat Pressure Ratings

Temp	Pressure			
	1/2" - 1"	1 1/2" - 2 1/2"	3"	4"
-20°	1000	600	507	393
100°	1000	600	507	393
150°	946	539	507	393
200°	861	516	507	393
300°	778	467	467	382
400°	713	429	429	378
500°	665	396	396	352
600°	625	366	366	334

Component Temperature Ratings		
Component	Material	Temp.
Stem Packing	PTFE	-50°F to 400°F
Stem Seal	PTFE	-50°F to 400°F
Gaskets	PTFE	-50°F to 400°F
Seats (Other Materials Available)	PTFE	-50°F to 400°F
	TFM™-1600	-75°F to 500°F
	50/50 STFE	-50°F to 550°F

NOTE: At temperature, valves are limited by either the valve body/end cap pressure ratings, seat pressure ratings, or packing/stem seal/gaskets; whichever is lower.



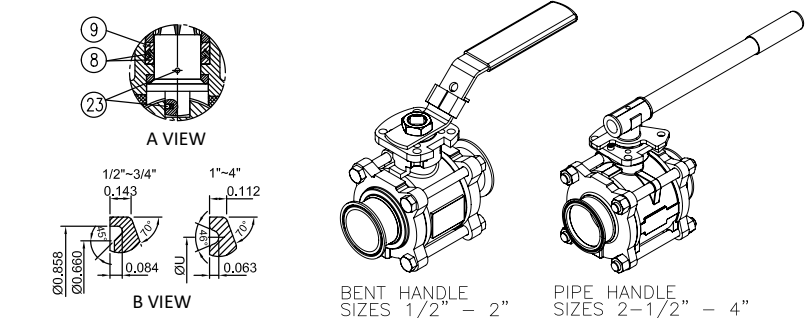
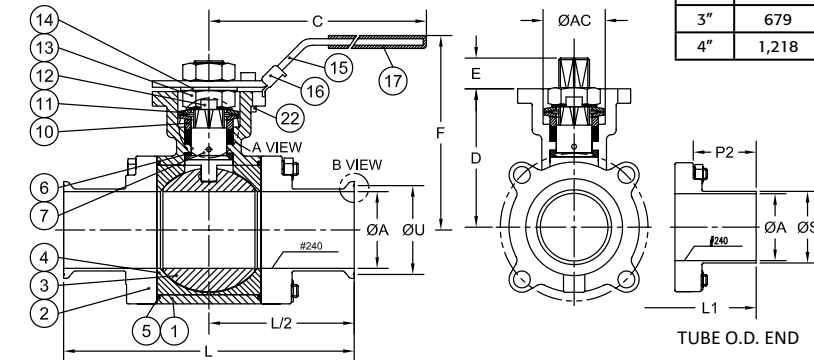
Published torques are based on full differential pressure with clean water. Consult The Application Sizing Guide for assistance with sizing actuator

Size	Breakaway Torques for PTFE	
	Non-Cavity Filled	Cavity Filled
1/2"	37	44
3/4"	54	65
1"	90	108
1-1/2"	177	212
2"	296	355
2-1/2"	612	734
3"	679	815
4"	1,218	1,462

### MATERIALS LIST

NO.	PART NAME	QTY.	MATERIAL	REPAIR KIT
1	BODY	1	ASTM A351 GRADE CF3M	
2	END CAP	2	ASTM A351 GRADE CF3M	
3	BALL	1	ASTM A276 GRADE CF3M	
4	SEAT	2	PTFE	✓
5	JOINT GASKET	2	PTFE	✓
6	STEM SEAL	1	PTFE	✓
7	STEM	1	ASTM A276 SS 316L	
8	GLAND PACKING	1	PTFE	✓
9	GLAND WASHER	1	RTFE	✓
10	GLAND BUSHING	1	AISI 304	
11	BELLEVILLE WASHER	2	AISI 301	
12	LOCK SADDLE	1	AISI 304	
13	STEM NUT	2	AISI 304	
14	STEM WASHER	1	AISI 304	
15	HANDLE	1	AISI 304	
16	HANDLE LOCK	1	AISI 304	
17	HANDLE SLEEVE	1	VINYL	
18	BODY BOLT	#	**	
19	BODY BOLT NUT	&	##	
20	WASHER	&	AISI 304	
21	STOP BOLT	1	AISI 304	
22	BOLT NUT	1	AISI 304	
23	ANTI-STATIC DEVICE	2	AISI 316	

# FOR 1/2"-3" - 4 PCS ; FOR 4" - 6 PCS  
& FOR 1/2"-2" - 4 PCS ; FOR 2-1/2"-3" - 8 PCS; FOR 4" - 12 PCS  
\*\*FOR 1/2"-2" - ASTM A193 GRADE B8; FOR 2-1/2"-4" - ISO 3506-1 A2-70  
## FOR 1/2"-2" - ASTM A194 GRADE 8; FOR 2-1/2"-4" - ISO 3506-2 A2-70



### DIMENSIONS (IN)

SIZE	A	B	C	D	DD1	DD2	E	F	L	L1	P2	S	U	V	Z1	Z2	AC	AD	(LBS)	ISO 5211
1/2"	0.37	0.354	5.47	1.66	1.417	1.654	0.25	3.03	3.51	5.50	1.92	0.50	-	0.99	0.24	0.24	0.92	0.430	1.5	F03/F04
3/4"	0.62	0.354	5.47	1.89	1.417	1.654	0.27	3.27	4.00	5.75	1.96	0.75	-	0.99	0.24	0.24	0.92	0.430	1.8	F03/F04
1"	0.87	0.433	6.50	2.23	1.654	1.969	0.44	3.74	4.51	6.25	2.00	1.00	1.71	1.99	0.24	0.28	1.14	0.563	2.7	F04/F05
1-1/2"	1.37	0.551	8.47	3.05	1.969	2.756	0.56	5.00	5.52	7.50	2.23	1.50	1.71	1.99	0.28	0.34	1.54	0.744	7.0	F05/F07
2"	1.87	0.551	8.47	3.35	1.969	2.756	0.56	5.28	6.26	8.50	2.46	2.00	2.20	2.52	0.28	0.34	1.54	0.744	9.8	F05/F07
2-1/2"	2.37	0.669	11.81	4.28	2.756	4.016	0.67	6.54	6.85	9.75	2.55	2.50	2.78	3.05	0.34	0.47	2.07	0.885	19.6	F07/F10
3"	2.87	0.669	14.57	4.63	2.756	4.016	0.71	6.93	7.61	10.50	2.69	3.00	3.28	3.58	0.34	0.47	2.07	0.885	25.9	F07/F10
4"	3.83	0.748	14.57	5.22	2.756	4.016	0.67	7.48	8.90	12.50	3.14	4.00	4.34	4.68	0.34	0.47	2.07	0.885	47.4	F07/F10

Tube O.D. according to ASME BPE 2019

# Pneumatic Double Acting Automated Ball Valve Package Series 77 Sanitary End 3-Piece Ball Valve

Sizes 1/2" - 4"

393 to 1000 psi (by size)

Available in 316L

Cavity Filled and Non-Cavity Filled

Sanitary Clamp Ends or  
Tube OD Ends

Tube Pipe Design

Superior Live Loaded Packing  
System

Blowout Proof Stem w/  
Dual Anti-Static Devices

PTFE Seats standard

Pyramidal Stem Seal Design

## STANDARDS

Design	ASME B16.34 (fully conforms)
End Connections	ASME BPE-2019
Pressure Testing	API 598
Mounting	ISO 5211
Marking System for Valves	MSS SP-25, ISO 5209
CE Approval	2014/68/EU Module H
Safety Integrity	SIL 3; IEC 61508:2010
Material Certification	EN 10204-3.1 MTR
Quality Assurance	ISO 9001:2015



## DIMENSIONS (IN) NON-CAVITY FILLED

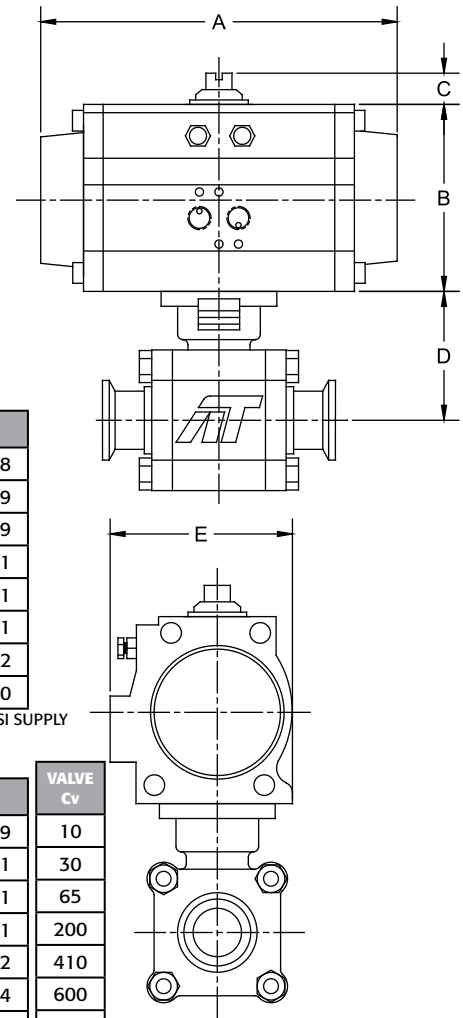
VALVE SIZE	A	B	C	D	E
1/2"	5.98	2.76	0.79	1.66	2.58
3/4"	7.95	3.43	0.79	1.89	3.29
1"	7.95	3.43	0.79	2.23	3.29
1-1/2"	9.29	4.49	0.79	3.05	4.41
2"	9.29	4.49	0.79	3.35	4.41
2-1/2"	9.29	4.49	0.79	4.28	4.41
3"	10.87	4.88	0.79	4.63	4.82
4"	11.46	5.28	0.79	5.22	5.20

DIMENSIONS SHOWN ARE FOR ASSEMBLIES SIZED FOR 80 PSI SUPPLY

## CAVITY FILLED

VALVE SIZE	A	B	C	D	E	VALVE Cv
1/2"	7.95	3.43	0.79	1.66	3.29	10
3/4"	9.29	4.49	0.79	1.89	4.41	30
1"	9.29	4.49	0.79	2.23	4.41	65
1-1/2"	9.29	4.49	0.79	3.05	4.41	200
2"	10.87	4.88	0.79	3.35	4.82	410
2-1/2"	13.90	6.18	0.79	4.28	6.04	600
3"	13.90	6.18	0.79	4.63	6.04	1,050
4"	15.16	6.93	1.18	5.22	6.69	1,900

DIMENSIONS SHOWN ARE FOR ASSEMBLIES SIZED FOR 80 PSI SUPPLY



SERIES 77 Sanitary Ends

## NON-CAVITY FILLED

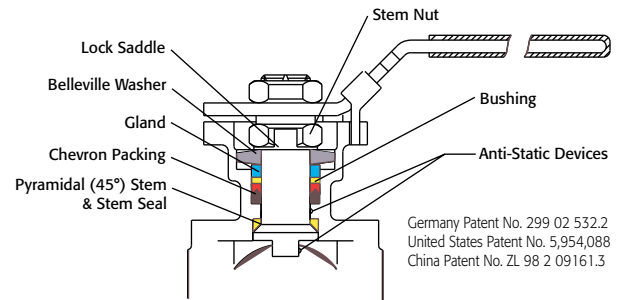
SIZED FOR 80 psi AIR SUPPLY	
SIZE	MODEL
1/2"	77-C1-050/TR1D-XX
3/4"	77-C1-075/2R2D-XX
1"	77-C1-100/2R2D-XX
1-1/2"	77-C1-150/2R3D-XX
2"	77-C1-200/2R3D-XX
2-1/2"	77-C1-250/2R3D-XX
3"	77-C1-300/2R4D-XX
4"	77-C1-400/2R5D-XX

SIZED FOR 60 psi AIR SUPPLY	
SIZE	MODEL
1/2"	77-C1-050/TR1D-XX
3/4"	77-C1-075/2R2D-XX
1"	77-C1-100/2R2D-XX
1-1/2"	77-C1-150/2R3D-XX
2"	77-C1-200/2R3D-XX
2-1/2"	77-C1-250/2R3D-XX
3"	77-C1-300/2R4D-XX
4"	77-C1-400/2R5D-XX

## CAVITY FILLED

SIZED FOR 80 psi AIR SUPPLY	
SIZE	MODEL
1/2"	77-CF-050/2R2D-XX
3/4"	77-CF-075/2R3D-XX
1"	77-CF-100/2R3D-XX
1-1/2"	77-CF-150/2R3D-XX
2"	77-CF-200/2R4D-XX
2-1/2"	77-CF-250/2R6D-XX
3"	77-CF-300/2R6D-XX
4"	77-CF-400/2R7D-XX

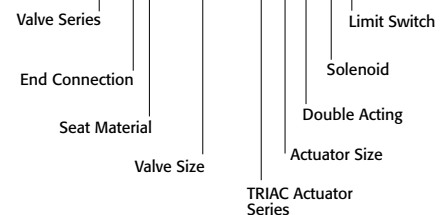
SIZED FOR 60 psi AIR SUPPLY	
SIZE	MODEL
1/2"	77-CF-050/2R2D-XX
3/4"	77-CF-075/2R3D-XX
1"	77-CF-100/2R3D-XX
1-1/2"	77-CF-150/2R3D-XX
2"	77-CF-200/2R4D-XX
2-1/2"	77-CF-250/2R6D-XX
3"	77-CF-300/2R6D-XX
4"	77-CF-400/2R7D-XX



Germany Patent No. 299 02 532.2  
United States Patent No. 5,954,088  
China Patent No. ZL 98 2 09161.3

SAMPLE PART #

## 77-CF-150/2R3D-XX



See valve part number matrix for complete part number and options.

## OPTIONS

DESCRIPTION	SUFFIX	DESCRIPTION	SUFFIX
Type 4 Solenoid	(A)	Type 4 Limit Switch (2) spdt	(A)
Type 7 Solenoid	(B)	Type 7 Limit Switch (2) spdt	(B)
Intrinsically Safe Solenoid	(C)	Intrinsically Safe Limit Switch	(C)

# Pneumatic Spring Return Automated Ball Valve Package Series 77 Sanitary End 3-Piece Ball Valve

Sizes 1/2"-4"

393 to 1000 psi (by size)

Available in 316L

Cavity Filled and Non-Cavity Filled

Sanitary Clamp Ends or  
Tube OD Ends

Tube Pipe Design

Superior Live Loaded Packing  
System

Blowout Proof Stem w/  
Dual Anti-Static Devices

PTFE Seats standard

Pyramidal Stem Seal Design

## STANDARDS

Design	ASME B16.34 (fully conforms)
End Connections	ASME BPE-2019
Pressure Testing	API 598
Mounting	ISO 5211
Marking System for Valves	MSS SP-25, ISO 5209
CE Approval	2014/68/EU Module H
Safety Integrity	SIL 3; IEC 61508:2010
Material Certification	EN 10204-3.1 MTR
Quality Assurance	ISO 9001:2015



## DIMENSIONS (IN)

### NON-CAVITY FILLED

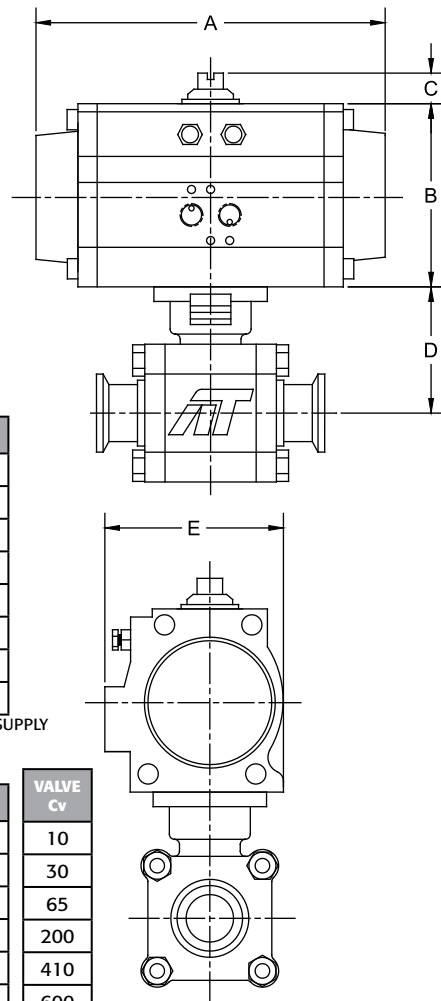
VALVE SIZE	A	B	C	D	E
1/2"	7.95	3.43	0.79	1.66	3.29
3/4"	9.29	4.49	0.79	1.89	4.41
1"	9.29	4.49	0.79	2.23	4.41
1-1/2"	9.29	4.49	0.79	3.05	4.41
2"	10.87	4.88	0.79	3.35	4.69
2-1/2"	11.46	5.28	0.79	4.28	4.82
3"	13.90	6.18	0.79	4.63	5.20
4"	13.90	6.18	0.79	5.22	6.04

DIMENSIONS SHOWN ARE FOR ASSEMBLIES SIZED FOR 80 PSI SUPPLY

### CAVITY FILLED

VALVE SIZE	A	B	C	D	E	VALVE Cv
1/2"	9.29	4.49	0.79	1.66	4.41	10
3/4"	9.29	4.49	0.79	1.89	4.41	30
1"	9.29	4.49	0.79	2.23	4.41	65
1-1/2"	10.87	4.88	0.79	3.05	4.82	200
2"	11.46	5.28	0.79	3.35	5.20	410
2-1/2"	15.16	6.93	1.18	4.28	6.69	600
3"	15.16	6.93	1.18	4.63	6.69	1,050
4"	22.68	9.17	1.18	5.22	8.43	1,900

DIMENSIONS SHOWN ARE FOR ASSEMBLIES SIZED FOR 80 PSI SUPPLY

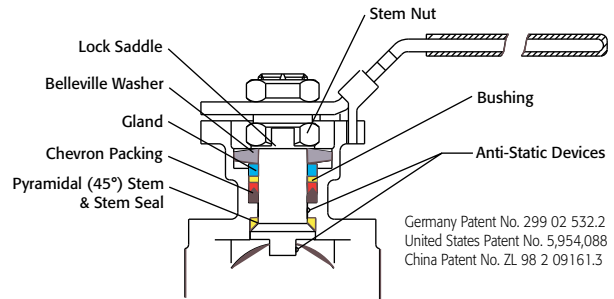


**SERIES 77 Sanitary Ends**

## NON-CAVITY FILLED

SIZED FOR 80 psi AIR SUPPLY	
SIZE	MODEL
1/2"	77-C1-050/2R2S-XX
3/4"	77-C1-075/2R3S-XX
1"	77-C1-100/2R3S-XX
1-1/2"	77-C1-150/2R3S-XX
2"	77-C1-200/2R4S-XX
2-1/2"	77-C1-250/2R6S-XX
3"	77-C1-300/2R6S-XX
4"	77-C1-400/2R7S-XX

SIZED FOR 60 psi AIR SUPPLY	
SIZE	MODEL
1/2"	77-C1-050/2R2S-XX
3/4"	77-C1-075/2R3S-XX
1"	77-C1-100/2R3S-XX
1-1/2"	77-C1-150/2R3S-XX
2"	77-C1-200/2R4S-XX
2-1/2"	77-C1-250/2R6S-XX
3"	77-C1-300/2R6S-XX
4"	77-C1-400/2R7S-XX



Germany Patent No. 299 02 532.2  
United States Patent No. 5,954,088  
China Patent No. ZL 98 2 09161.3

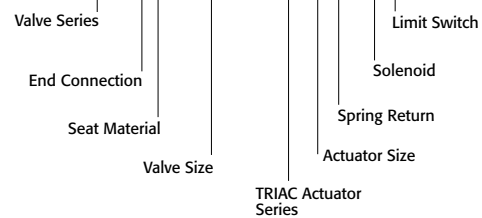
## CAVITY FILLED

SIZED FOR 80 psi AIR SUPPLY	
SIZE	MODEL
1/2"	77-CF-050/2R3S-XX
3/4"	77-CF-075/2R3S-XX
1"	77-CF-100/2R3S-XX
1-1/2"	77-CF-150/2R4S-XX
2"	77-CF-200/2R5S-XX
2-1/2"	77-CF-250/2R7S-XX
3"	77-CF-300/2R7S-XX
4"	77-CF-400/2R9S-XX

SIZED FOR 60 psi AIR SUPPLY	
SIZE	MODEL
1/2"	77-CF-050/2R3S-XX
3/4"	77-CF-075/2R3S-XX
1"	77-CF-100/2R3S-XX
1-1/2"	77-CF-150/2R4S-XX
2"	77-CF-200/2R5S-XX
2-1/2"	77-CF-250/2R7S-XX
3"	77-CF-300/2R7S-XX
4"	77-CF-400/2R9S-XX

SAMPLE PART #

**77-C1-050/2R2S-XX**



See valve part number matrix for complete part number and options.

## OPTIONS

DESCRIPTION	SUFFIX	DESCRIPTION	SUFFIX
Type 4 Solenoid	(A)	Type 4 Limit Switch (2) spdt	(A)
Type 7 Solenoid	(B)	Type 7 Limit Switch (2) spdt	(B)
Intrinsically Safe Solenoid	(C)	Intrinsically Safe Limit Switch	(C)

**Automated  
Ball Valve Package  
Series 77  
Sanitary End  
3-Piece Ball Valve**

Sizes 1/2"-4"

393 to 1000 psi (by size)

Available in 316L

Cavity Filled and Non-Cavity Filled

Sanitary Clamp Ends or  
Tube OD Ends

Tube Pipe Design

Superior Live Loaded Packing  
System

Blowout Proof Stem w/  
Dual Anti-Static Devices

PTFE Seats standard

Pyramidal Stem Seal Design

**STANDARDS**

Design	ASME B16.34 (fully conforms)
End Connections	ASME BPE-2019
Pressure Testing	API 598
Mounting	ISO 5211
Marking System for Valves	MSS SP-25, ISO 5209
CE Approval	2014/68/EU Module H
Safety Integrity	SIL 3; IEC 61508:2010
Material Certification	EN 10204-3.1 MTR
Quality Assurance	ISO 9001:2015



**DIMENSIONS (IN)  
NON-CAVITY FILLED**

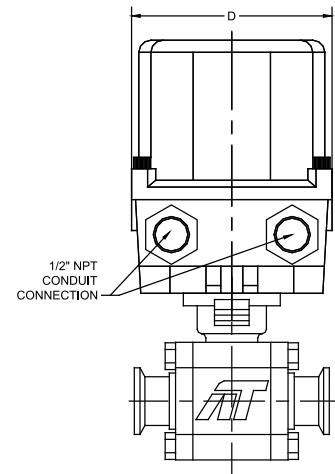
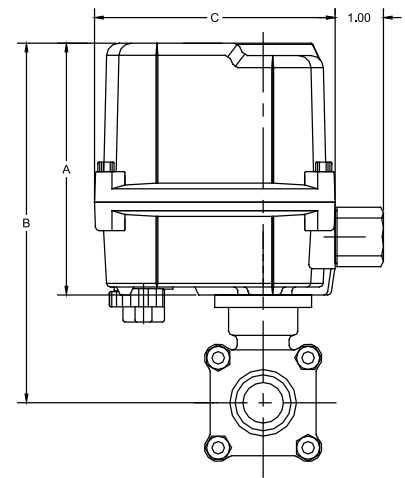
VALVE SIZE	A	B	C	D
1/2"	5.24	6.90	4.94	4.08
3/4"	5.24	7.13	4.94	4.08
1"	5.24	7.47	4.94	4.08
1-1/2"	5.24	8.29	4.94	4.08
2"	9.25	12.60	10.16	6.69
2-1/2"	10.55	14.83	13.31	9.02
3"	10.55	15.18	13.31	9.02
4"	10.55	15.77	13.31	9.02

DIMENSIONS SHOWN ARE FOR ASSEMBLIES SIZED FOR 80 PSI SUPPLY

**CAVITY FILLED**

VALVE SIZE	A	B	C	D	VALVE Cv
1/2"	5.24	6.90	4.94	4.08	10
3/4"	5.24	7.13	4.94	4.08	30
1"	5.24	7.47	4.94	4.08	65
1-1/2"	5.24	8.29	4.94	4.08	200
2"	9.25	12.60	10.16	6.69	410
2-1/2"	10.55	14.83	13.31	9.02	600
3"	10.55	15.18	13.31	9.02	1,050
4"	10.55	15.77	13.31	9.02	1,900

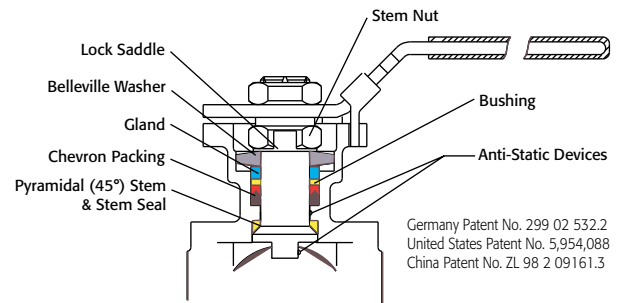
DIMENSIONS SHOWN ARE FOR ASSEMBLIES SIZED FOR 80 PSI SUPPLY



**NON-CAVITY FILLED**

ON-OFF	
SIZE	MODEL
1/2"	77-C1-050/WEA1-XX
3/4"	77-C1-075/WEA1-XX
1"	77-C1-100/WEA1-XX
1-1/2"	77-C1-150/WEA1-XX
2"	77-C1-200/WEB1-XX
2-1/2"	77-C1-250/WEC1-XX
3"	77-C1-300/WEC1-XX
4"	77-C1-400/WED1-XX

MODULATING	
SIZE	MODEL
1/2"	77-C1-050/WEA2-XX
3/4"	77-C1-075/WEA2-XX
1"	77-C1-100/WEA2-XX
1-1/2"	77-C1-150/WEA2-XX
2"	77-C1-200/WEB2-XX
2-1/2"	77-C1-250/WEC2-XX
3"	77-C1-300/WEC2-XX
4"	77-C1-400/WED2-XX

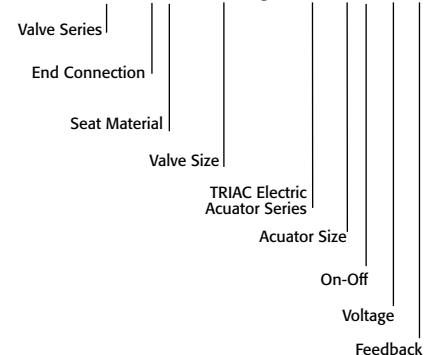


**CAVITY FILLED**

ON-OFF	
SIZE	MODEL
1/2"	77-CF-050/WEA1-XX
3/4"	77-CF-075/WEA1-XX
1"	77-CF-100/WEA1-XX
1-1/2"	77-CF-150/WEB1-XX
2"	77-CF-200/WEC1-XX
2-1/2"	77-CF-250/WED1-XX
3"	77-CF-300/WEE1-XX
4"	77-CF-400/WEE1-XX

MODULATING	
SIZE	MODEL
1/2"	77-CF-050/WEA2-XX
3/4"	77-CF-075/WEA2-XX
1"	77-CF-100/WEA2-XX
1-1/2"	77-CF-150/WEB2-XX
2"	77-CF-200/WEC2-XX
2-1/2"	77-CF-250/WED2-XX
3"	77-CF-300/WEE2-XX
4"	77-CF-400/WEE2-XX

**SAMPLE PART #  
77-C1-050/WEA1-XX**



OPTIONS	
DESCRIPTION	
24 VAC/24 VDC/220VAC	
Feedback potentiometer	

NOTE: Heater and thermostat standard (2) auxiliary switches standard  
Other options available - call for details  
Actuators are sized based on clean/clear fluid.

# Series 77

## HOW TO ORDER: Manual Valves

2	Valve Series
77	3pc. 1000 psi max, Full Port, Sanitary

3	Body/Ball/Stem Material
Blank	Valve Series Standard (316L)
R	316 SST Body/Monel Ball & Stem
T	Hastelloy C-276 Body, Ball, & Stem
E	Electropolished Stainless Steel
D	CE3MN Body/Duplex SST Ball & Stem
G	CE3MN Body/Super Duplex SST Ball & Stem

4	End Connection
SA	Sanitary Clamp Ends
SF	Sanitary Clamp Ends w/ Cavity Filler
DA	Tube O.D. Ends
DF	Tube O.D. Ends w/ Cavity Filler
DS	Sanitary Clamp x Tube O.D. Ends

5	Valve Size	
0050	1/2"	0200 2"
0075	3/4"	0250 2-1/2"
0100	1"	0300 3"
0150	1-1/2"	0400 4"

**MANUAL VALVE**  
SAMPLE PART #  
**77-SA-0050-PXX**

(2) Valve Series  
(3) Body/Ball/Stem Material  
(4) End Connection

(5) Valve Size

(6) Seat, Lining, & Trim Material

(7) Special Designation

(8) Additional Specials

6	Seat, Lining & Trim Material
P	Virgin TFE Seats (PTFE)
U	UHMWPE Seats
S	50/50 STFE Seats
T	TFM™-1600 Seats
E	All TFM™-1600 Seats, Seals, & Packing
A	50% SS Powder/50% TFM™-1600 Seats (STFM)
F	PTFE Cavity Filler Seats

TFM™ is a trademark of Dyneon™, a 3M Company.

7	Special Designation
X	No Specials, Series Standard
O	Oval Handle ( <i>available on some</i> )
S	Spring Return Handle ( <i>Direct Mount Only</i> )
4	4" Lockable Stem Extension

8	Additional Specials
X	No Specials, Series Standard
O	Oxygen Cleaned
V	Vented Ball
E	Bonnet Extension Lockable Handle
D	Degreased & Bagged
A	Vented Ball, Degreased & Bagged
B	Vented Ball, Oxygen Cleaned

# HOW TO ORDER: Automated Valves w/ Options

# Series 77

2	Valve Series
77	3pc. 1000 psi max, Full Port, Sanitary

3	Body/Ball/Stem Material
Blank	Valve Series Standard (316L)
R	316 SST Body/Monel Ball & Stem
T	Hastelloy C-276 Body, Ball, & Stem
E	Electropolished Stainless Steel
D	CE3MN Body/Duplex SST Ball & Stem
G	CE3MN Body/Super Duplex SST Ball & Stem

4	End Connection
C	Sanitary Clamp Ends
D	Tube O.D. Ends
H	Sanitary Clamp x Tube O.D. Ends

5	Seat, Lining & Trim Material
1	Valve Series Standard Seats (PTFE)
U	UHMWPE Seats
S	50/50 STFE Seats
T	TFM™-1600 Seats
E	All TFM™-1600 Seats, Seals, & Packing
A	50% SS Powder /50% TFM™ -1600 Seats (STFM)
F	PTFE Cavity Filler Seats

6	Valve Size
050	1/2" 200 2"
075	3/4" 250 2-1/2"
100	1" 300 3"
150	1-1/2" 400 4"

7	Actuator - Pneumatic (DA)			
TRYD	TR10DA	2R7D	2R500DA	
TR1D	TR20DA	2R8D	2R850DA	
2R2D	2R40DA	2R9D	2R1200DA	
2R3D	2R80DA	2R0D	2R1750DA	
2R4D	2R130DA	2RAD	2R2500DA	
2R5D	2R200DA	2RBD	2R3500DA	
2R6D	2R300DA			

7	Actuator - Pneumatic (SR)			
TR1S	TR20SR	2R7S	2R500SR	
2R2S	2R40SR	2R8S	2R850SR	
2R3S	2R80SR	2R9S	2R1200SR	
2R4S	2R130SR	2R0S	2R1750SR	
2R5S	2R200SR	2RAS	2R2500SR	
2R6S	2R300SR	2RBS	2R3500SR	

7	Actuator - Pneumatic Stainless (DA)			
S21D	S2-052DA	S25D	S2-125DA	
S22D	S2-063DA	S26D	S2-140DA	
S23D	S2-083DA	S27D	S2-160DA	
S24D	S2-105DA	S28D	S2-210DA	

7	Actuator - Pneumatic Stainless (SR)			
S21S	S2-052SR	S25S	S2-125SR	
S22S	S2-063SR	S26S	S2-140SR	
S23S	S2-083SR	S27S	S2-160SR	
S24S	S2-105SR	S28S	S2-210SR	

7	Actuator - Electric (On-Off)			
WEX1	WE-350	WEG1	WE-5200	
WEA1	WE-500	WEH1	WE-6900	
WEB1	WE-690	WEJ1	WE-10500	
WEC1	WE-1350	WEK1	WE-17500	
WED1	WE-1700	WEL1	WE-25900	
WEE1	WE-2640	WEM1	WE-53000	
WEF1	WE-4400	WEN1	WE-80000	

7	Actuator - Electric (Modulating)			
WEA2	WEM-500	WEH2	WEM-6900	
WEB2	WEM-690	WEJ2	WEM-10500	
WEC2	WEM-1350	WEK2	WEM-17500	
WED2	WEM-1700	WEL2	WEM-25900	
WEE2	WEM-2640	WEM2	WEM-53000	
WEF2	WEM-4400	WEN2	WEM-80000	
WEG2	WEM-5200			

## OPTIONS:

8	Accessories/Options	Model no.
X	No Specials	
A	TYPE 4 Solenoid 120VAC	TVCS-X411-4N-A120
B	TYPE 7 Solenoid 120VAC	TVC6-X411-7N-A120
C	Intrinsically Safe Solenoid	TVIS-X411-4N-D24
D	TYPE 4 Solenoid 24VDC	TVCS-X411-4N-D24
F	TYPE 7 Solenoid 24VDC	TVC6-X411-7N-D24
Q	TYPE 4 SST Solenoid 120VAC	TVSS-X411-4N-A120
M	TYPE 7 SST Solenoid 120VAC	TVSS-X411-7N-A120
L	TYPE 4 SST Solenoid 24VDC	TVSS-X411-4N-D24
N	TYPE 7 SST Solenoid 24VDC	TVSS-X411-7N-D24
P	Pneumatic Positioner	PPR-1200
E	Electro-Pneumatic Positioner	EPR-1000
R	24VDC Electric Actuator	
S	220VAC Electric Actuator	
T	Other Voltage Electric Actuator	
W	12VDC Electric Actuator	
Y	24VAC Electric Actuator	

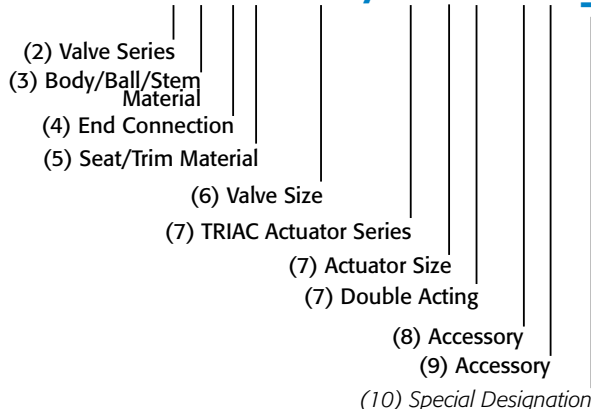
*\* No voltage specified on electric assemblies denotes 120VAC*

9	Accessories	Model no.
X	No Specials	
A	TYPE 4 Limit Switch	APL-210N/APL-310N
B	TYPE 7 Limit Switch	APL-510N
C	Intrinsically Safe Limit Switch	APL-218N
Q	TYPE 4 SST Limit Switch	APL-910N
M	TYPE 7 SST Limit Switch	APL-510S
1	HS1 High Speed Electric	
2	HS2 High Speed Electric	

10	Special Designation
Blank	No Designation, SST Stem

*TFM™ is a trademark of Dyneon™, a 3M Company.*

## AUTOMATED VALVE SAMPLE PART # 77-C1-100/2R3D-XX-



# Valve Options

## Various Seat Materials

PTFE, RTFE, 50/50 STFE, 25% CTFE, Delrin, PEEK, UHMWPE, TFM-1600

## Operator Options

Quarter-turn Gear Operators  
Spring Return "Deadman" Handles  
Oval handles, TEE Handles

## Specials and Solutions

Steam Jackets  
Stem Extensions  
V-ported Control Valves  
Multi-port Valve Solutions  
Fugitive Emissions Bonnets (TSM's)  
Oxygen Cleaning  
Lockout Brackets  
Vented Balls  
"No Play" Mounting Kits

## • FM Approved Valves and Assemblies



Manual and automated valve assemblies for gas burner management applications and safety shutoff



9955 International Blvd.  
Cincinnati, Ohio 45246  
www.atcontrols.com

PHONE (513) 247-5465  
FAX (513) 247-5462  
sales@atcontrols.com

# Other Products

## Special Seats Balls and Seal Designs



## Steam Jacketed Valves



## Floor Mounted Damper Drives



## Limit Switches Mounted on Manual Valves



## Fusible Link Assemblies



## 180° Actuators



## Lockout Mounting Kits



## Stem Extensions



## Special Multi-Port Valves



## Dual Valve Assemblies

