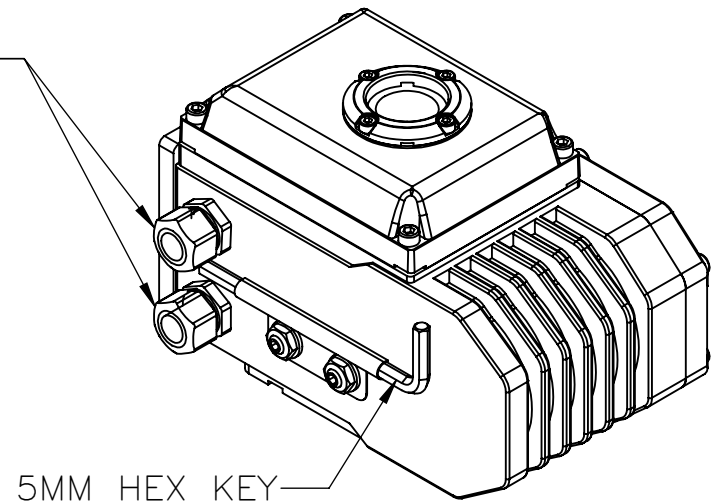
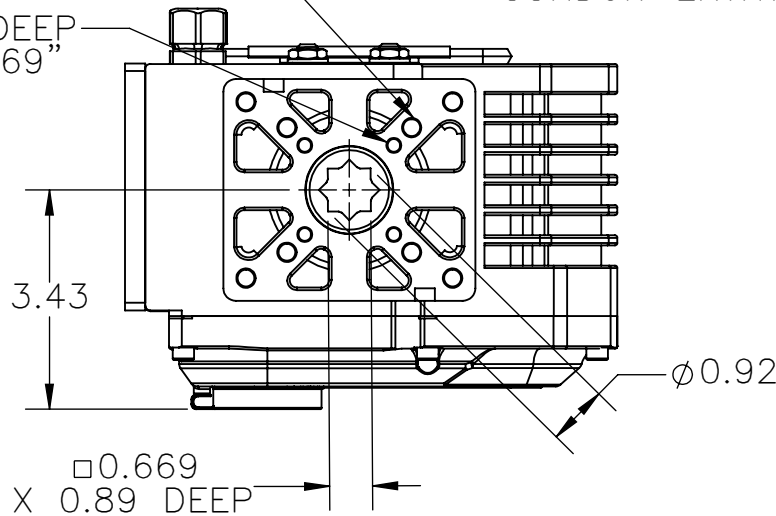


(4) M8 X 0.500 DEEP
ON A (F07) Ø2.756"
BOLT CIRCLE

(4) M6 X 0.400 DEEP
ON A (F05) Ø1.969"
BOLT CIRCLE

1/2" NPT
CONDUIT ENTRY



5MM HEX KEY



9955 INTERNATIONAL BLVD.
CINCINNATI, OHIO 45246
PHONE: (513) 247-5465
FAX: (513) 247-5462

DRAWN BY KWT

CHECKED BY CMB

RELEASED BY CMB

SHEET 1 of 1

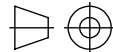
DATE 08/01/18

DATE 08/02/18

DATE 08/02/18

MATERIAL

DO NOT SCALE DRAWING



DESCRIPTION

DIMENSIONAL DRAWING FOR A KE-880 ELECTRIC ACTUATOR

DRAWING NO.

P02722

REVISION

THE DESIGN AND DISCLOSURE CONTAINED IN THIS DRAWING WAS ORIGINATED BY, AND IS EXCLUSIVE PROPERTY OF A-T CONTROLS, INC. IT IS FURNISHED FOR VENDOR INFORMATION ONLY AND IS NOT AN AUTHORIZATION OR LICENSE TO MAKE THIS CONSTRUCTION OR TO FURNISH THIS INFORMATION TO OTHERS. ALL DRAWINGS MUST BE RETURNED TO A-T CONTROLS, INC. ON DEMAND. THIS DRAWING IS NOT TO BE REPRODUCED OR COPIED IN ANY FORM WITHOUT THE EXPRESS WRITTEN PERMISSION OF A-T CONTROLS, INC.