

VOLU-probe / FI-SS

FAN INLET AIRFLOW TRAVERSE PROBE

SINGLE WIDE, SINGLE INLET – FAN INLETS <20" IN DIAMETER

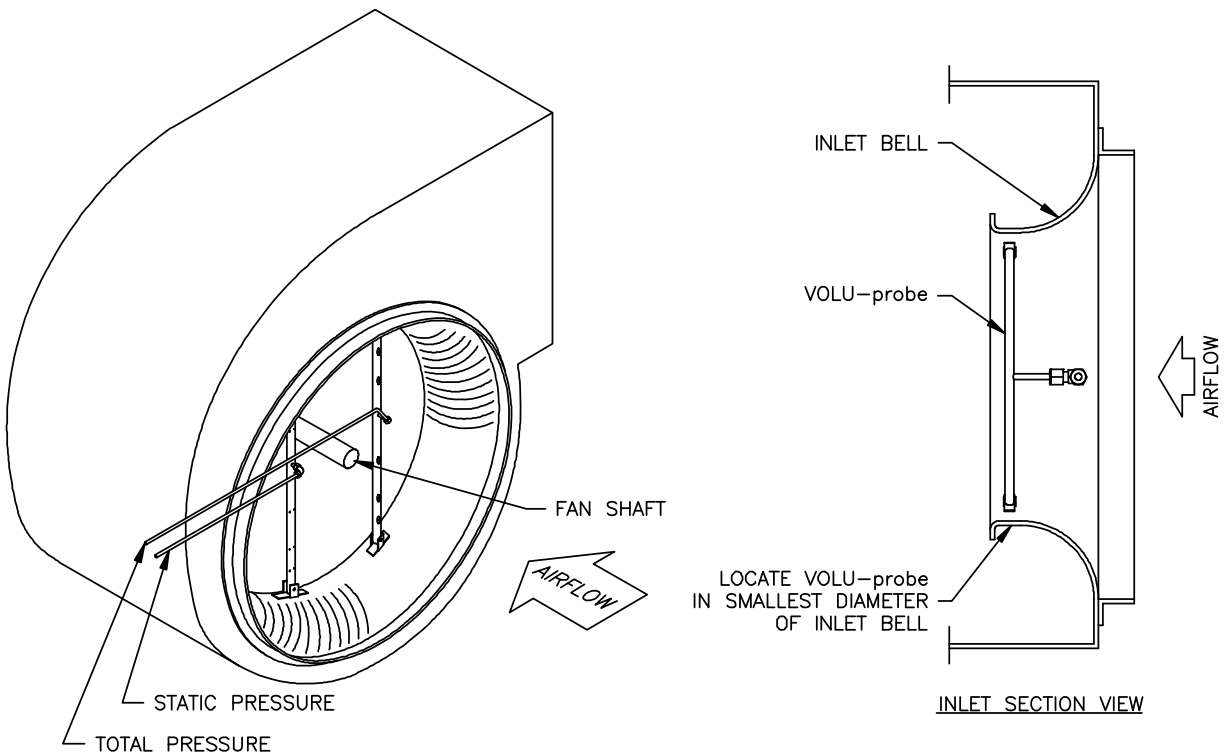
STANDARD CONSTRUCTION

Probe. 3/8" tube. Type 316 stainless steel.
Mounting Brackets. Type 316 stainless steel.
Connection Fittings. 1/4" stainless steel compression type union.

PERFORMANCE SPECIFICATIONS

Accuracy. 3% when installed per recommended installation location at the fan inlet.
Outputs. Individually averaged signals of total and static pressure.
Operating Velocity. 2000 - 12000 FPM.
Operating Temperature. Continuous operation to 200°F.
Traverse Pattern. Concentric area circles.

DIMENSIONAL SPECIFICATIONS



AIR MONITOR CORPORATION