

4690 series

Turbidity sensors



O-ring seal replacement

Measurement made easy

4690 series
turbidity sensors

1 Introduction

This publication identifies the locations of the 4690 series turbidity sensors O-ring seals. O-ring seal replacement must be carried out by a trained technician.

2 For more information

Further information is available from:
www.abb.com/analytical

or by scanning these codes:



Sales



Service

3 Contents

The contents of the O-ring seal replacement kit is shown in Table 3.1. The seals are identified in Fig. 3.1.

Item	Description	Part number	Qty
①	O-ring seal – feed / drain assembly	0211 051	1
②	O-ring seal – cell body light trap	0211 317	1
③	O-ring seal – wiper module / wiper plug assembly	0211 346	1
④	O-ring seal – emitter and receiver end caps	0211 314	2
⑤	O-ring seal – emitter and receiver modules	0211 223	2
	Information publication – O-ring seal replacement	INF11/070-EN	1

Table 3.1 O-ring seal replacement kit 7998 031

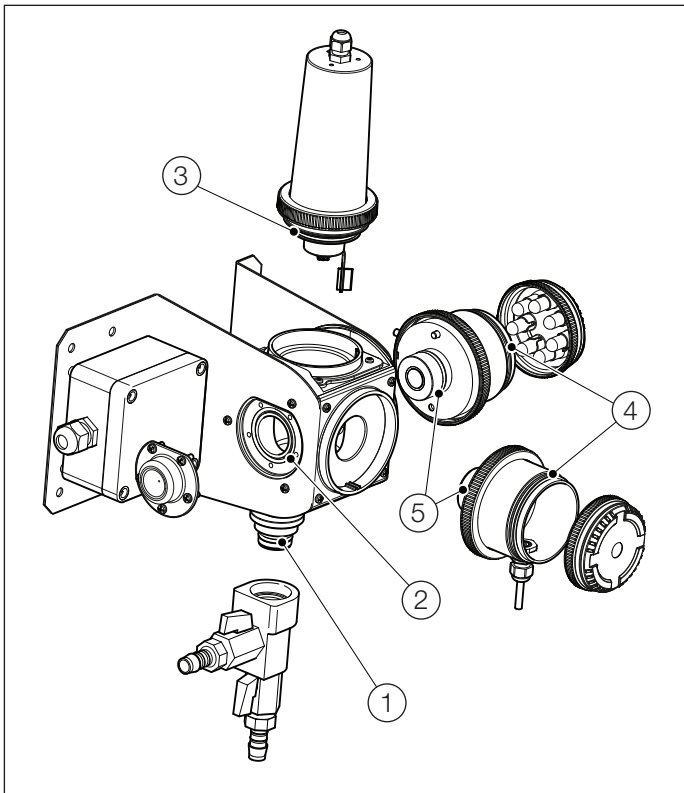


Fig. 3.1 O-ring seal identification

Notes

ABB Limited**Measurement & Analytics**

Oldends Lane

Stonehouse

Gloucestershire

GL10 3TA

UK

Tel: +44 (0)1453 826661

Fax: +44 (0)1453 829671

Email: instrumentation@gb.abb.com

ABB Inc.**Measurement & Analytics**

125 E. County Line Road

Warminster

PA 18974

USA

Tel: +1 215 674 6000

Fax: +1 215 674 7183

abb.com/measurement



We reserve the right to make technical changes or modify the contents of this document without prior notice. With regard to purchase orders, the agreed particulars shall prevail. ABB does not accept any responsibility whatsoever for potential errors or possible lack of information in this document.

We reserve all rights in this document and in the subject matter and illustrations contained therein. Any reproduction, disclosure to third parties or utilization of its contents – in whole or in parts – is forbidden without prior written consent of ABB.

© ABB 2018