

## Model CXLdp Differential Pressure Transmitter

### APPLICATION

*Low-pressure measurement for building energy management and comfort control*

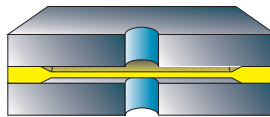
### FEATURES

- *Rugged ABS package capable of DIN rail or standard panel mounting*
- *LED power status indicator to assist in trouble shooting or quickly locating the instrument on a duct*
- *Detachable Euro style terminal block reduces wiring errors and field wiring time*
- *19 standard pressure ranges all capable of withstanding 15 psi without damage or calibration change*
- *Digitally compensated, 0.4% Span and 0.8% Span accuracy models*
- *NIST traceable*
- *Board level, no housing, options*

The Ashcroft® CXLdp transmitter uses the patented Ashcroft Si-Glas™ variable capacitance sensor. This MEMS sensor provides extraordinary sensitivity and long term stability. New digital compensation is accomplished using a highly reliable application specific integrated circuit (ASIC).

*Featuring a highly reliable variable capacitance sensor using the patented Ashcroft® SiGlas™ sensor. This ultra-thin single crystal diaphragm provides inherent sensor repeatability and stability.*

#### SENSOR CROSS SECTION



*The silicon diaphragm sensor has no glues or other organics to contribute to drift or mechanical degradation over time.*



LOOK FOR THIS AGENCY MARK ON OUR PRODUCTS

### PERFORMANCE SPECIFICATIONS

**Ref. Temperature:** 70°F ±2°F (21°C ±1°C)

**Accuracy Class (Span):** ±0.8% or ±0.4%

Includes non-linearity, hysteresis, non-repeatability, zero offset and span setting errors.

**Stability – Max. Change**

(Span/year): ≤0.25% ≤0.25%

**Standard Ranges (Inches W.C.)**

**Unidirectional Ranges:**

*Differential*

0/0.10 0/0.75 0/2.50 0/10.00

0/0.25 0/1.00 0/3.00 0/15.00

0/0.50 0/2.00 0/5.00 0/25.00

**Bidirectional Ranges:**

*Compound*

±0.10 ±0.50 ±2.00 ±10.00

±0.25 ±1.00 ±5.00 ±15.00

**Response Time:** 250 msec

### ENVIRONMENTAL SPECIFICATIONS

**Temperature Limits:**

Storage –40 to 180°F

Operating +0 to 160°F

Compensated Range +35 to 130°F  
(10-95% R.H. non-condensing)

**Temperature Coefficients:**

Zero & Span ±0.03% Span/°F

**CE Marked:** Per DoC

**EMC Directive 2004/108/EC**

IEC/EN 61326-1: Edition 1.0 Industrial

IEC/EN 61326-2-3: Edition 1.0 Annex BB Industrial

### FUNCTIONAL SPECIFICATIONS

**Overpressure Limits:**

Proof Pressure 15 psid

Burst Pressure 25 psid

Max. static line pressure 25 psi

**Mounting Position Effect:** ±1%/g (lowest range)

**Note:** Calibration in vertical position is standard

### ELECTRICAL SPECIFICATIONS

**Voltage Output:** **Supply Voltage:** **Supply Current:**

4-20mA (2 wire) 12-36 Vdc 21.5mA

0-5 Vdc (3 wire) 11.5-36 Vdc 4.5mA

0-10 Vdc (3 wire) 14-36 Vdc or 24 Vac 6mA

**Output signal is independent of power supply changes**

**Reverse Wiring Protected**

**Zero and Span Adjustment:**

Externally accessible

Zero: ±5% F.S.

Span: ±5% F.S.

### PHYSICAL SPECIFICATIONS

**Pressure Connections:**

¼" brass barbed fittings

½ NPT Female brass

**Electrical Connection:** Euro style pluggable terminal block accepts 12-26 gauge wire

**Enclosure:** NEMA Type 1 Fire-retardant ABS (meets UL 94-5VA)

**LED visual indicator standard**

**Weight:** Approx. 2.5 oz

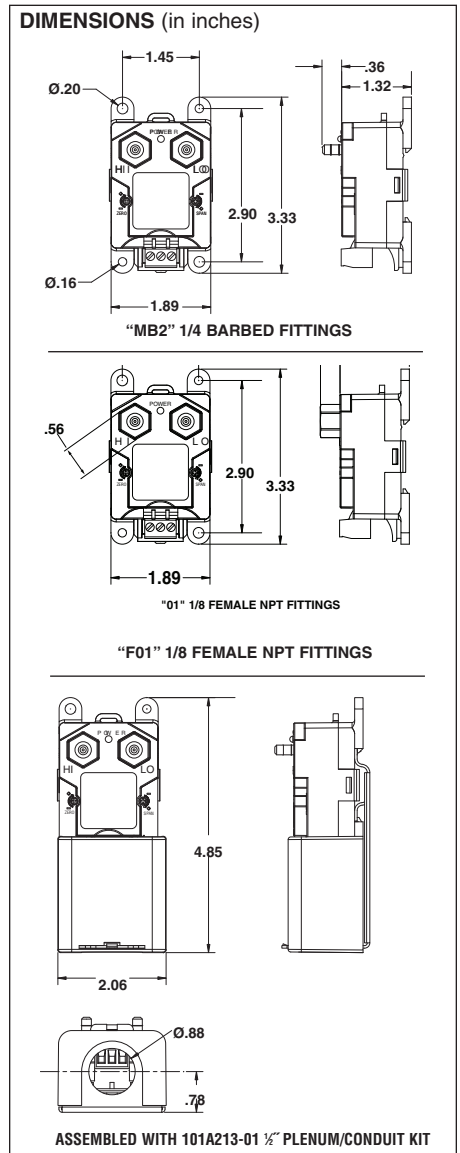
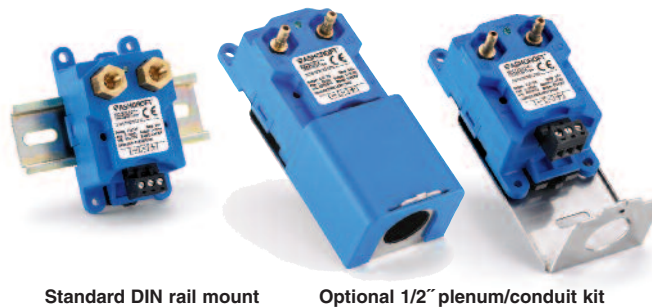
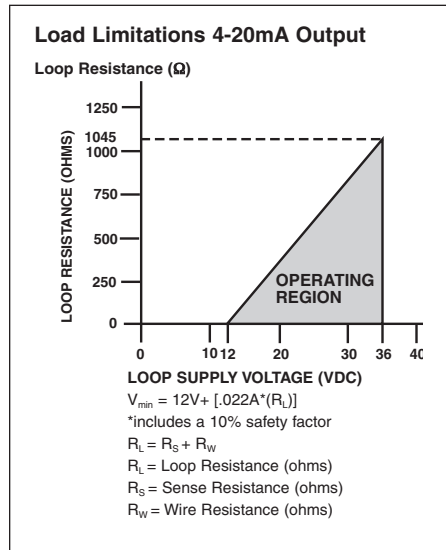
**Media:** Clean, dry and non-corrosive gas

**Mounting:** Threaded fastener and 35mm DIN rail mount standard.

**Option:** ½" plenum/conduit mounting bracket and cover kit (order part #101A213-01)

**XRH:** (9 point NIST Calibration Certification)

## Model CXLdp Low Pressure Differential Transmitter



### How To Order

<b>C X</b> Type (CX) CXLdp	Accuracy/TC (8) 0.8%, ±0.03%/°F (4) 0.4%, ±0.03%/°F	Connection (MB1) No Housing <sup>(3)</sup> (MB2) 1/4 Barbed Male (F01) 1/8 NPT Female	Output Signal (42) 4-20mA (10) 0-10Vdc <sup>(1)</sup>	Pressure Range Diff. or Gauge: (P1IW) 0.10" W.C. (P25IW) 0.25" W.C. (P5IW) 0.50" W.C. (P75IW) 0.75" W.C. (1IW) 1.00" W.C. (2IW) 2.00" W.C. (2P5IW) 2.50" W.C. (3IW) 3.00" W.C. (5IW) 5.00" W.C. (10IW) 10.00" W.C. (15IW) 15.00" W.C. (25IW) 25.00" W.C. Compound: (P11WL) ±0.10" W.C. (P251WL) ±0.25" W.C. (P51WL) ±0.50" W.C. (11WL) ±1.00" W.C. (21WL) ±2.00" W.C. (51WL) ±5.00" W.C. (101WL) ±10.00" W.C. (151WL) ±15.00" W.C.	XAH <sup>(2)</sup> Conduit Kit Packaged with the CXLdp XRH Traceable 9 Point Calibration Report
----------------------------------	---	--	---	--	--

**Notes:**  
 (1) Includes user selectable option 0-5Vdc output.  
 (2) Note: XAH option is for the conduit kit assembled with the CXLdp. To get the conduit kit separately request Part No. 101A213-01.  
 (3) Consult factory for board level, no housing, options.