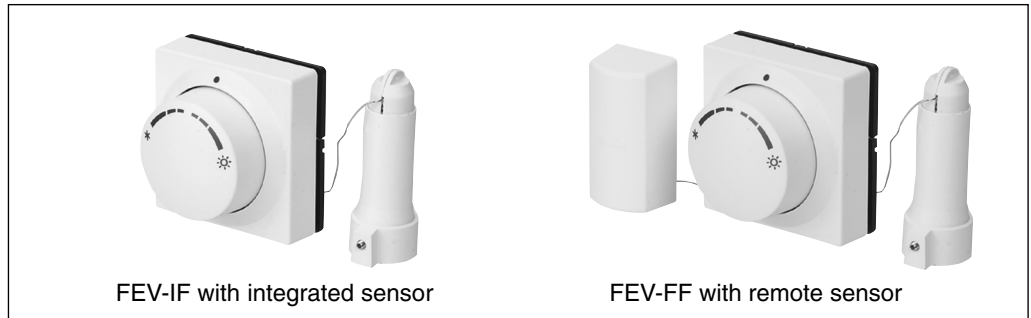




Products



The FEV is a proportional controller which opens or closes the heating valve as a function of the temperature deviation.

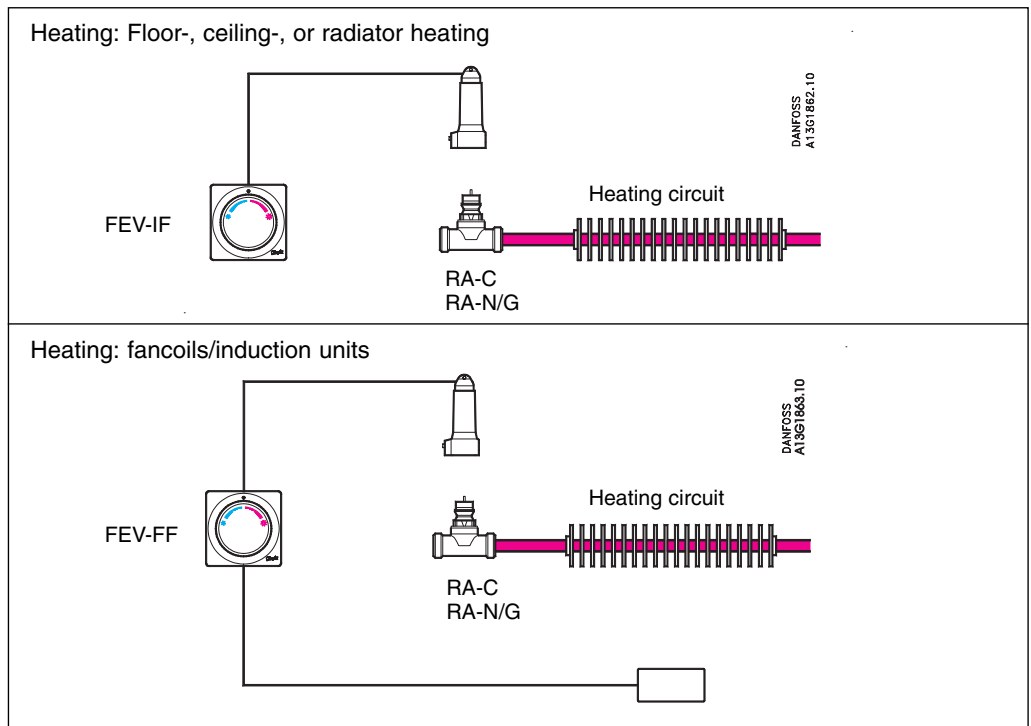
FEV-IF
To be applied in systems with i.e. ceiling-, floor- or radiator heating. The temperature-adjuster/sensor should be mounted on an internal wall at a height of approximately 1.5 meter in such a way that the room temperature can be measured accurately.

FEV-FF
To be applied in systems with i.e. fancoils or induction units. By placing the remote sensor in the room-air inlet of the unit a smaller response time to temperature changes can be achieved which will result in a more accurate temperature control.

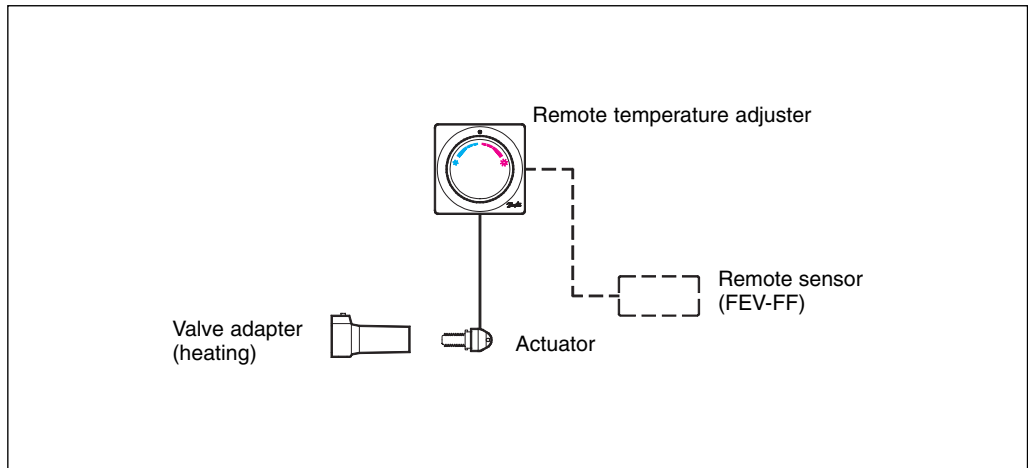
Ordering and specifications

Type	Code no.	Sensor	Capillary tube	Setting range
FEV-IF	013G5467	Integrated sensor	5 m	17-27 °C
FEV-FF	013G5466	Remote sensor	2 + 2 m	

Application



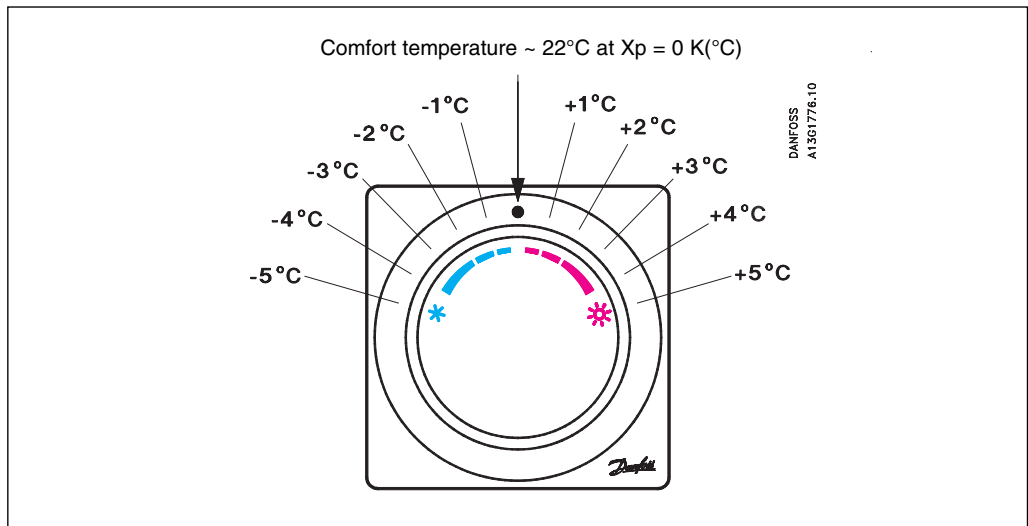
FEV sensor design



FEV sensors can be applied in combination with RA-N RA-G or RA-C valves. The FEV sensors are equipped with a direct acting valve-controller that opens the valve when the

temperature drops below the set temperature. If the set temperature is equal to or higher than the room temperature the valve is closed.

Temperature setting

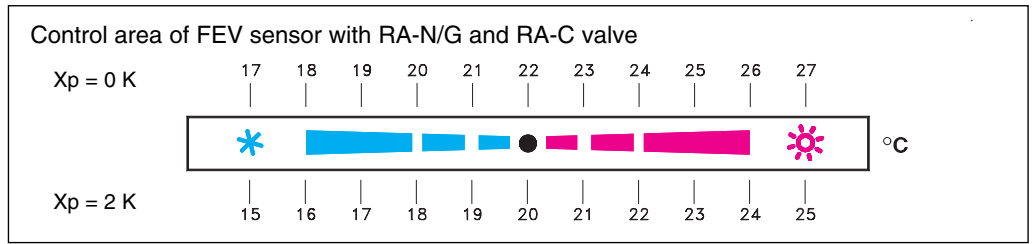


The FEV sensors have been developed for heating via water-based systems.

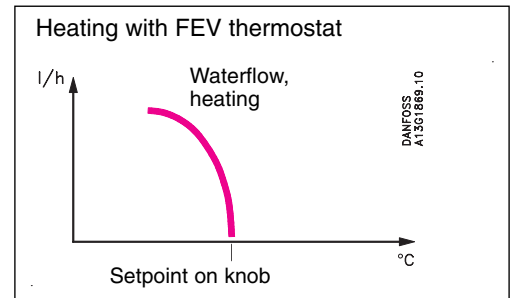
The scale shows the approximate set-point offset from the comfort temperature which is approximately 22° C at X_p = 0 K.

The FEV sensors are based on the self-acting principle. The liquid-filled sensors control the valves via capillaries and adapters.

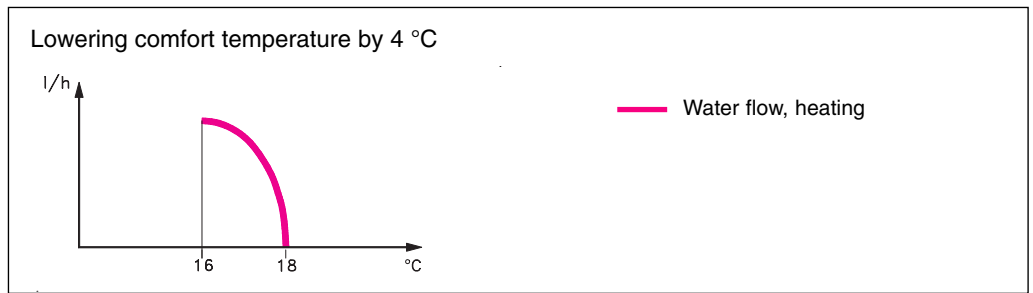
Temperature control through heating with FEV



When the knob has been set in the middle position the valve will open at temperatures lower than 22°C. A setting in the red zone means the valve will open at a higher room temperature. A setting in the blue zone means the room temperature will be kept at a value lower than 22 °C.



Example



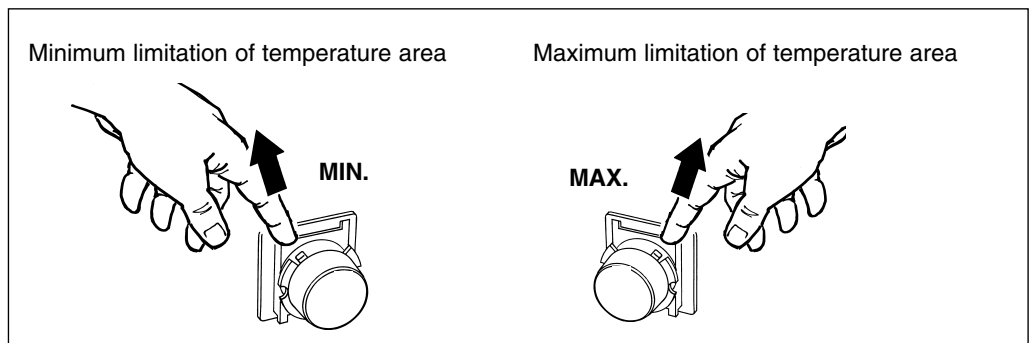
The comfort temperature is lowered by 4°C by turning the knob to a setting in the blue area. Because the scale is calibrated at Xp=0 K(°C) the valve will open when the temperature drops below 18 °C. In the presetting “N” of the valve the combination FEV/RA works with a P-

band of approximately 2 K (°C). This means the valve will be fully open and the flow maximal when the sensor reaches a temperature of approx. 16 °C (18°C minus 2 K).

Limiting the set temperature of FEV sensors

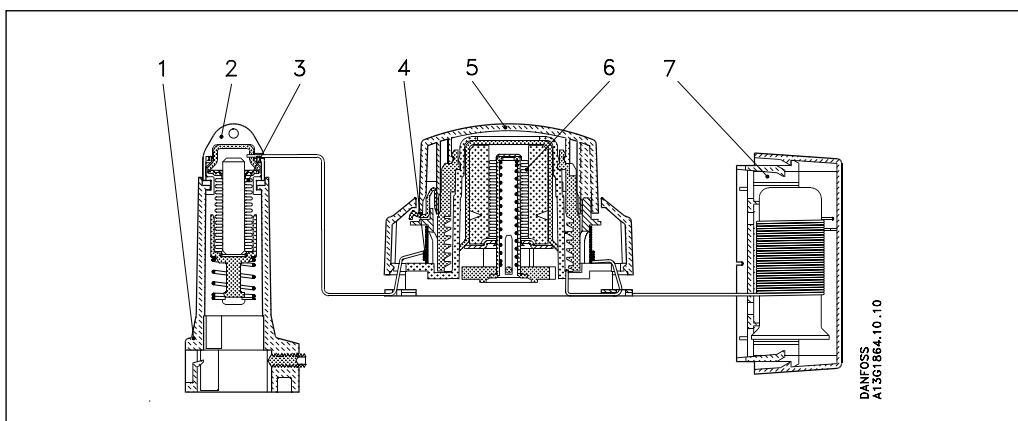
The set temperature of the remote temperature adjuster depends on the sensor type and the valves, which are used with the sensors.

It is easy to limit or lock the set temperature by means of the built-in locking/limiting device.



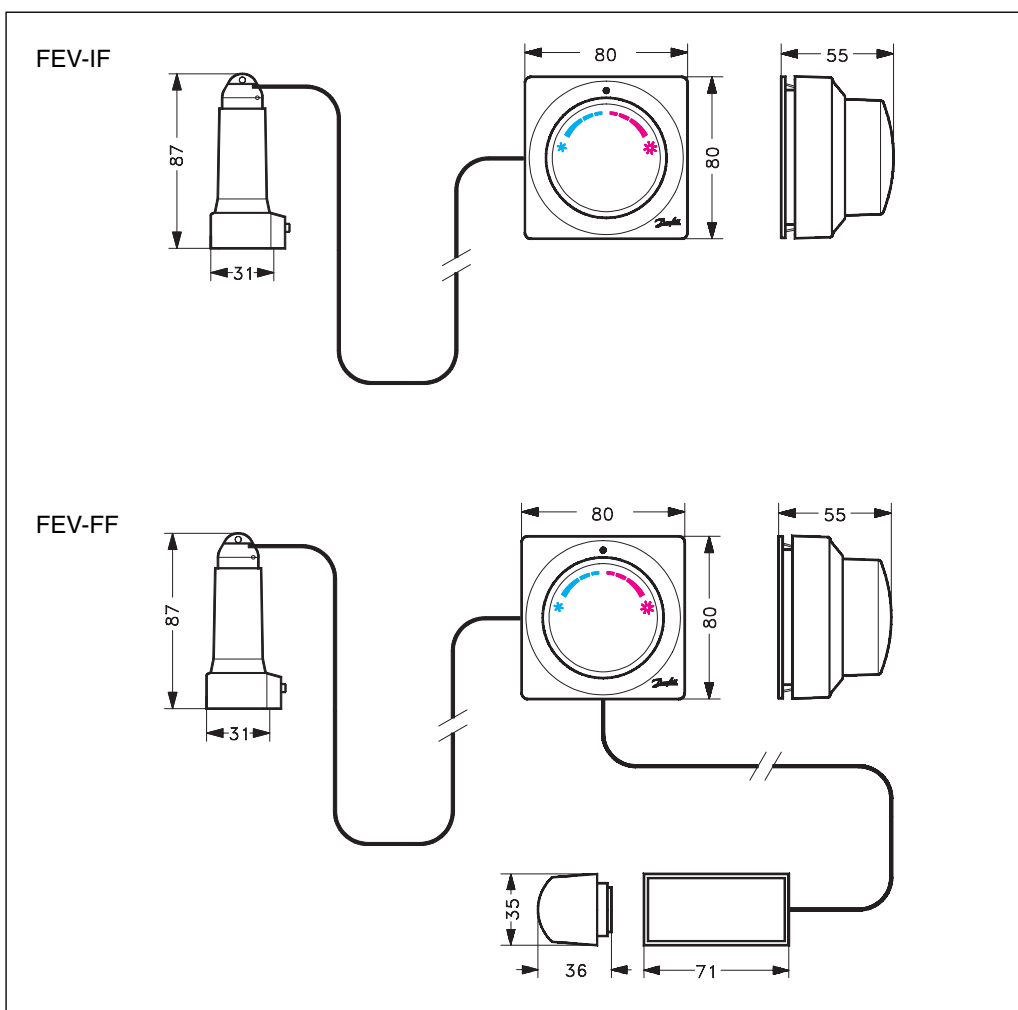
Design

1. Heating adapter
2. Actuator
3. Adjustment bellows
4. Capillary reel
5. Remote temperature adjuster
6. Bellows
7. Remote temperature sensor (FEV-FF)



DANFOSS
AT1361864.10.10

Dimensions



Danfoss can accept no responsibility for possible errors in catalogues, brochures and other printed material. Danfoss reserves the right to alter its products without notice. This also applies to products already on order provided that such alterations can be made without subsequential changes being necessary in specifications already agreed. All trademarks in this material are property of the respective companies. Danfoss and the Danfoss logotype are trademarks of Danfoss A/S. All rights reserved.