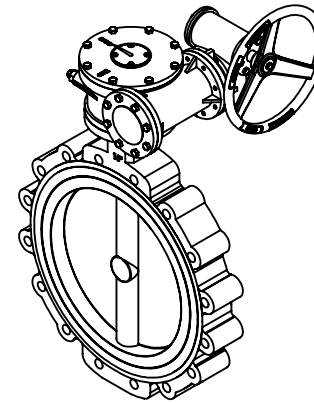
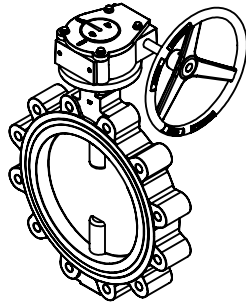
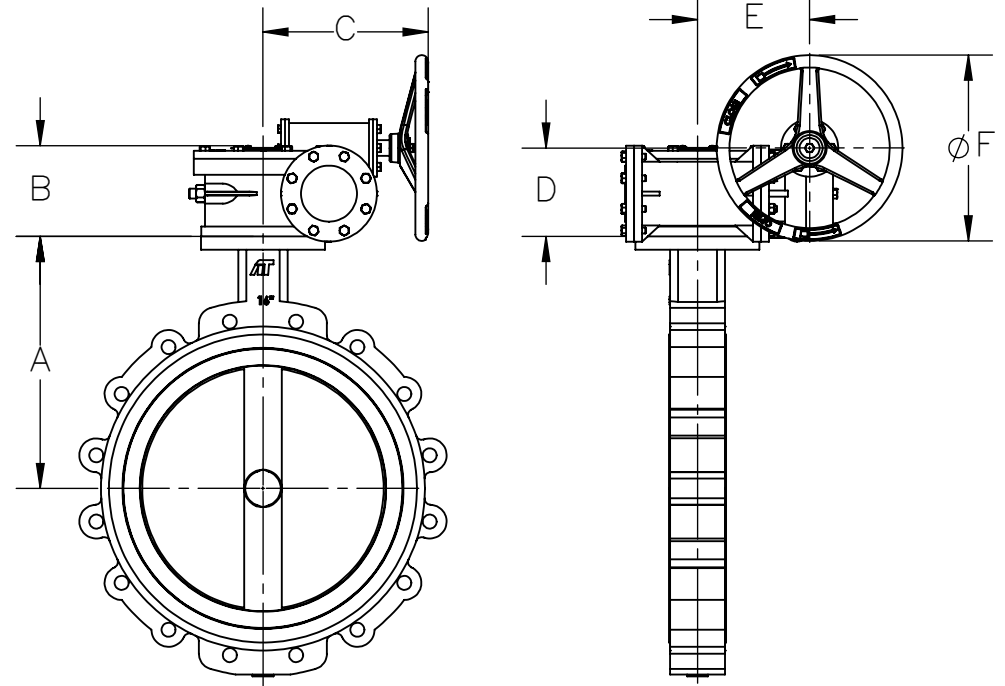
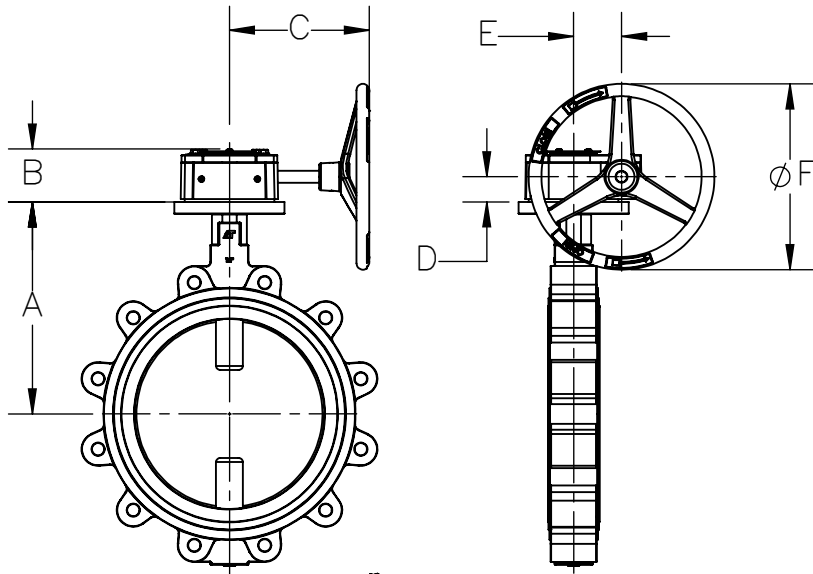


14" GEAR

16"-24" GEAR



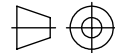
UNLESS OTHERWISE SPECIFIED, ALL DIMENSIONS ARE IN INCHES.

SIZE	A	B	C	D	E	F
14"	14.49	3.30	8.75	1.57	3.01	11.62
16"	15.75	4.33	8.46	3.94	6.69	11.62
18"	16.61	4.33	8.46	3.94	6.69	11.62
20"	18.90	4.33	8.46	3.94	6.69	11.62
24"	22.13	4.92	10.24	5.12	8.27	11.62



9955 INTERNATIONAL BLVD.
CINCINNATI, OHIO 45246
PHONE: (513) 247-5465
FAX: (513) 247-5462

DO NOT SCALE DRAWING



DESCRIPTION
OS/OC SERIES RSBFV 14"-24" GEAR OUTSIDE DIMENSIONS

DRAWN BY RSS

DATE 08/06/19

CHECKED BY NPM

DATE 08/06/19

RELEASED BY NPM

DATE 08/06/19

SHEET 1 of 1

MATERIAL

DRAWING NO.

P02929

REVISION

A

THE DESIGN AND DISCLOSURE CONTAINED IN THIS DRAWING WAS ORIGINATED BY, AND IS EXCLUSIVE PROPERTY OF A-T CONTROLS, INC. IT IS FURNISHED FOR VENDOR INFORMATION ONLY AND IS NOT AN AUTHORIZATION OR LICENSE TO MAKE THIS CONSTRUCTION OR TO FURNISH THIS INFORMATION TO OTHERS. ALL DRAWINGS MUST BE RETURNED TO A-T CONTROLS, INC. ON DEMAND. THIS DRAWING IS NOT TO BE REPRODUCED OR COPIED IN ANY FORM WITHOUT THE EXPRESS WRITTEN PERMISSION OF A-T CONTROLS, INC.