

ABB general purpose drives

# Quick installation and start-up guide

## ACS580-01 drives

### Frames R1 to R9

R1-  
R4

R5

R6-  
R9



# List of related manuals in English

## Drive manuals and guides

## Code (English)

---

<i>ACS580 standard control program firmware manual</i>	<a href="#">3AXD5000016097</a>
<i>ACS580-01 (0.75 to 250 kW, 1.0 to 350 hp) hardware manual</i>	<a href="#">3AXD5000018826</a>
<i>ACS-AP-X assistant control panels user's manual</i>	<a href="#">3AUA0000085685</a>

## Option manuals and guides

---

<i>CDPI-01 communication adapter module user's manual</i>	<a href="#">3AXD5000009929</a>
<i>DPMP-01 mounting platform for control panels</i>	<a href="#">3AUA0000100140</a>
<i>DPMP-02/03 mounting platform for control panels</i>	<a href="#">3AUA0000136205</a>
<i>FCAN-01 CANopen adapter module user's manual</i>	<a href="#">3AFE68615500</a>
<i>FCNA-01 ControlNet adapter module user's manual</i>	<a href="#">3AUA0000141650</a>
<i>FDNA-01 DeviceNet™ adapter module user's manual</i>	<a href="#">3AFE68573360</a>
<i>FECA-01 EtherCAT adapter module user's manual</i>	<a href="#">3AUA0000068940</a>
<i>FENA-01/-11/-21 Ethernet adapter module user's manual</i>	<a href="#">3AUA0000093568</a>
<i>FEPL-02 Ethernet POWERLINK adapter module user's manual</i>	<a href="#">3AUA0000123527</a>
<i>FPBA-01 PROFIBUS DP adapter module user's manual</i>	<a href="#">3AFE68573271</a>
<i>FSCA-01 RS-485 adapter module user's manual</i>	<a href="#">3AUA0000109533</a>
<i>Flange mounting kit quick installation guide for ACX580-01 frames R0 to R5</i>	<a href="#">3AXD50000036610</a>
<i>Flange mounting kit quick installation guide for ACX580-01 frames R6-R9</i>	<a href="#">3AXD50000019099</a>
<i>Flange mounting kit installation supplement</i>	<a href="#">3AXD50000019100</a>

## Tool and maintenance manuals and guides

---

<i>Drive composer PC tool user's manual</i>	<a href="#">3AUA0000094606</a>
<i>Converter module capacitor reforming instructions</i>	<a href="#">3BFE64059629</a>
<i>NETA-21 remote monitoring tool user's manual</i>	<a href="#">3AUA00000969391</a>
<i>NETA-21 remote monitoring tool installation and start-up guide</i>	<a href="#">3AUA0000096881</a>

You can find manuals and other product documents in PDF format on the Internet. See section [Document library on the Internet](#) on the inside of the back cover. For manuals not available in the Document library, contact your local ABB representative.

The QR code below opens an online listing of the manuals applicable to this product.



[ACS580-01 manuals](#)

# Table of contents

---

## *List of related manuals in English*

### **R1...R4 Ratings and fuses**

I .....	7
II .....	8

### **R5 Ratings and fuses**

I .....	9
---------	---

### **R6...R9 Ratings and fuses**

I .....	11
II .....	11

## **Frames R1 to R4**

### **R1...R4 Quick installation guide**

Obey the safety instructions .....	15
Check if capacitors need to be reformed .....	15
Select the power cables .....	16
Ensure the cooling .....	16
Protect the drive and input power cable .....	16
Install the drive on the wall .....	16
Check the insulation of the power cables and the motor .....	16
Switch off the power and open the cover .....	17
Install the cable box .....	17
Attach the warning sticker .....	17
Check the compatibility with IT (ungrounded) and corner-grounded TN systems .....	17
EMC filter .....	17
Ground-to-phase varistor .....	18
Disconnect EMC filter or ground-to-phase varistor, if needed .....	19
Wiring R1...R2 .....	20
Wiring R3 .....	23
Wiring R4 .....	25
Default I/O connections .....	27
Install optional modules, if any .....	28
Reinstall cover .....	28

---

## **Frame R5**

### ***R5 Quick installation guide***

Obey the safety instructions	31
Check if capacitors need to be reformed	31
Select the power cables	32
Ensure the cooling	32
Protect the drive and input power cable	32
Install the drive on the wall	32
Check the insulation of the power cables and the motor	32
Switch off the power and open the cover	33
Check the compatibility with IT (ungrounded) and corner-grounded TN systems	33
EMC filter	33
Ground-to-phase varistor	33
Disconnect EMC filter or ground-to-phase varistor, if needed	35
Wiring R5	35
Default I/O connections	38
Install optional modules, if any	39
Reinstall cover	39

## **Frames R6 to R9**

### ***R6...R9 Quick installation guide***

Obey the safety instructions	43
Check if capacitors need to be reformed	43
Select the power cables	44
Ensure the cooling	44
Protect the drive and input power cable	44
Install the drive on the wall	44
Check the insulation of the power cables and the motor	45
Check the compatibility with IT (ungrounded) and corner-grounded TN systems	45
EMC filter	45
Ground-to-phase varistor	45
Disconnect EMC filter or ground-to-phase varistor, if needed	47
Wiring R6...R9	48
Default I/O connections	50
Install optional modules, if any	51
Install side plates and covers	51

## **Quick start-up guide**

### ***Quick start-up guide***

Before you start	55
Start-up with the First start assistant on an assistant control panel	55

## ***Compliance with the European Machinery Directive 2006/42/EC***

Declaration of conformity	63
---------------------------	----

---

## **Installation figures**

### ***R1...R4 Figures A***

B1 .....	67
B2 .....	67
B3 .....	67
C1 .....	67
C2 .....	67
D .....	68
E1 .....	68
E2 .....	68
F .....	68
G1 .....	68
G2 .....	68

### ***R1...R4 Figures H***

I .....	69
I2 .....	69
J .....	70

### ***R5 Figures A***

B .....	71
C .....	72
D .....	72
E .....	72

### ***R5 Figures F***

G .....	73
H .....	74

### ***R6...R9 Figures A***

B .....	75
C .....	75
D .....	76

### ***R6...R9 Figures E***

### ***Further information***

Product and service inquiries .....	79
Product training .....	79
Providing feedback on ABB Drives manuals .....	79
Document library on the Internet .....	79

---

*[Page intentionally left blank]*

## R1...R4 Ratings and fuses

Type ACS580- 01	Input rating	Output ratings				Maximum heat dissipation	Frame size	
		Nominal use		Heavy duty use				
	$I_N$	$I_{Ld}$	$P_{Ld}$	$I_{Hd}$	$P_{Hd}$			W
	A	A	hp	A	hp			
<b>3-phase <math>U_N = 480</math> V (440...480 V)</b>								
02A1-4	2.1	2.1	1	1.6	0.75	45	R1	
03A0-4	3	3	1.5	2.1	1	55	R1	
03A5-4	3.5	3.5	2	3	1.5	66	R1	
04A8-4	4.8	4.8	3	3.4	2	84	R1	
06A0-4	6	6	3	4	3	106	R1	
07A6-4	7.6	7.6	5	4.8	3	133	R1	
012A-4	12	12	7.5	7.6	5	174	R1	
014A-4	14	14	10	11	7.5	228	R2	
023A-4	23	23	15	14	10	322	R2	
027A-4	27	27	20	21	15	430	R3	
034A-4	34	34	25	27	20	525	R3	
044A-4	44	44	30	34	25	619	R3	
052A-4	52	52	40	40	30	835	R4	
065A-4	65	65	50	52	40	1024	R4	

R1-  
R4

## II

R1- R4	NEC type ACS580	UL			
		$I_N$	Voltage rating	Bussmann type <sup>1)</sup>	UL class
		A	V		
	<b>3-phase <math>U_N = 480</math> V (440...480 V)</b>				
	02A1-4	15	600	JJS-15	T
	03A0-4	15	600	JJS-15	T
	03A5-4	15	600	JJS-15	T
	04A8-4	15	600	JJS-15	T
	06A0-4	15	600	JJS-15	T
	07A6-4	15	600	JJS-15	T
	012A-4	15	600	JJS-15	T
	014A-4	30	600	JJS-30	T
	023A-4	30	600	JJS-30	T
	027A-4	40	600	JJS-40	T
	034A-4	50	600	JJS-50	T
	044A-4	60	600	JJS-60	T
	052A-4	80	600	JJS-80	T
	065A-4	90	600	JJS-90	T

1) ABB does not require Bussmann brand fuses. Fuses which meet the appropriate UL class type, current rating, and are rated at 600V, 200 kA may be used.



## R5 Ratings and fuses

I

NEC type ACS580 -01-	Input rating	Output ratings				Maximum heat dissipation	Frame size
		Nominal use		Heavy duty use			
	$I_N$	$I_{Ld}$	$P_{Ld}$	$I_{Hd}$	$P_{Hd}$	W	
	A	A	hp	A	hp		
<b>3-phase <math>U_N = 480</math> V (440...480 V)</b>							
077A-4	77	77	60	65	50	1240	R5
096A-4	96	96	75	77	60	1510	R5

R5

II

IEC type ACS580	UL			
	$I_N$	Voltage rating	Bussmann type <sup>1)</sup>	UL class
	A	V		
<b>3-phase <math>U_N = 480</math> V (440...480 V)</b>				
077A-4	100	600	JJS-100	T
096A-4	150	600	JJS-150	T

1) ABB does not require Bussmann brand fuses. Fuses which meet the appropriate UL class type, current rating, and are rated at 600V, 200 kA may be used.

*[Page intentionally left blank]*

---

## R6...R9 Ratings and fuses

I

ACS580 -o1	Input rating	Output ratings				Maximum losses	Frame size
		Nominal use		Heavy duty use			
	$I_{1N}$ A	$I_{2Ld}$ A	$P_{Ld}$ kW	$I_{2Hd}$ A	$P_{Hd}$ kW	W	
<b>3-phase <math>U_N = 480</math> V (440...480 V)</b>							
124A-4	124	124	100	96	75	1476	R6
156A-4	156	156	125	124	100	1976	R7
180A-4	180	180	150	156	125	2346	R7
240A-4	240	240	200	180	150	3336	R8
260A-4	260	260	200	240*	150	3936	R8
361A-4	361	361	300	302	250	4836	R9
414A-4	414	414	350	361**	300	6036	R9

\* 130% overload only

\*\* 125% overload only

II

ACS580 -01-	UL			
	$I_N$	Voltage rating	Bussmann type <sup>1)</sup>	UL class
	A			
<b>3-phase <math>U_N = 480</math> V (440...480 V)</b>				
124A-4	200	600	JJS-200	T
156A-4	225	600	JJS-225	T
180A-4	300	600	JJS-300	T
240A-4	350	600	JJS-350	T
260A-4	400	600	JJS-400	T
361A-4	500	600	JJS-500	T
414A-4	600	600	JJS-600	T

1) ABB does not require Bussmann brand fuses. Fuses which meet the appropriate UL class type, current rating, and are rated at 600V, 200 kA may be used.

R6-  
R9

R6-  
R9

*[Page intentionally left blank]*

---

Quick installation guide  
ACS580-01 drives  
Frames R1 to R4

R1-  
R4



*[Page intentionally left blank]*

# R1...R4 Quick installation guide

---

This guide briefly describes how to install the drive. For complete information on installation, see *ACS580-01 (0.75 to 250 kW, 1.0 to 350 hp) hardware manual* (3AXD50000018826 [English]). For start-up instructions, see chapter *Quick start-up guide* on page 55.

R1-  
R4

To read a manual, go to [www.abb.com/drives/documents](http://www.abb.com/drives/documents) and search for the document number.

## Obey the safety instructions

---



**WARNING!** Obey these instructions. If you ignore them, injury or death, or damage to the equipment can occur:

- If you are not a qualified electrician, do not do electrical installation work.
  - Do not work on the drive, motor cable or motor when main power is applied. If the drive is already connected to the input power, wait for 5 minutes after disconnecting the input power.
  - Do not work on the control cables when power is applied to the drive or to the external control circuits.
  - Make sure that debris from borings and grindings does not enter the drive when installing.
  - Make sure that the floor below the drive and the wall where the drive is installed are non-flammable.
- 

## Check if capacitors need to be reformed

If the drive has not been powered (either in storage or unused) for over one year, you must reform the capacitors.

You can determine the manufacturing time from the serial number, which you find on the type designation label attached to the drive. The serial number is of format MYYWWRXXXX. YY and WW tell the manufacturing year and week as follows:

YY: 16, 17, 18, ... for 2016, 2017, 2018, ...

WW: 01, 02, 03, ... for week 1, week 2, week 3, ...

For information on reforming the capacitors, see *Converter module capacitor reforming instructions* (3BFE64059629 [English]), available on the Internet at [www.abb.com/drives/documents](http://www.abb.com/drives/documents).

---

## Select the power cables

Size the power cables according to local regulations to carry the nominal current given on the type designation label of your drive.

R1-  
R4

## Ensure the cooling

See table *I* on page 7 for the losses. The allowed operating temperature range of the drive is -15 to +50 °C (+5 to +122 °F). No condensation or frost is allowed. For more information on the ambient temperature and derating, see chapter *Technical data* in *ACS580-01 (0.75 to 250 kW, 1.0 to 350 hp) hardware manual (3AXD50000018826 [English])*.

## Protect the drive and input power cable

See table *II* on page 8 for the fuses.

If you use gG fuses, make sure that the operating time of the fuse is below 0.5 seconds. Follow the local regulations.

## Install the drive on the wall

See figure *R1...R4 Figures A* on page 67.

## Check the insulation of the power cables and the motor

Check the insulation of the input cable according to local regulations before connecting it to the drive.

See figure *B1* on page 67.

1. Check the insulation of the motor cable and motor when the cable is disconnected from the drive. Measure the insulation resistance between each phase conductor and then between each phase conductor and the Protective Earth conductor using a measuring voltage of 1000 V DC. The insulation resistance of an ABB motor must exceed 100 Mohm (reference value at 25 °C or 77 °F). For the insulation resistance of other motors, see the manufacturer's instructions.

**Note:** Moisture inside the motor casing will reduce the insulation resistance. If moisture is suspected, dry the motor and repeat the measurement.

---



## Switch off the power and open the cover

See figure [B1](#) on page [67](#).

2. Switch off the power from the drive.
3. Remove the front cover: Loosen the retaining screw, if any, with a screwdriver (3a) and lift the cover from the bottom outwards (3b) and then up (3c).

R1-  
R4

## Install the cable box

Only for frames IP21, R1....R2 and IP55, R1....R2.

See figures [B1](#) and [B2](#) on page [67](#).

4. IP21, R1....R2: Remove the screw (4a) and lift the cover off (4b) from the separate cable box.
5. IP21, R1....R2: Attach the cable box cover to the front cover.
6. IP21, R1....R2: Install the cable box to the frame. Position the cable box (6a) and tighten the screws (6b).

## Attach the warning sticker

See figure [B2](#) on page [67](#).

7. Attach the residual voltage warning sticker in the local language.

## Check the compatibility with IT (ungrounded) and corner-grounded TN systems

### ■ EMC filter

The internal EMC filter is not suitable for use on an IT (ungrounded) system or on a corner-grounded TN system. Disconnect the EMC filter before connecting the drive to the supply network. Check the table on page [18](#).



**WARNING!** Do not install the drive with the internal EMC filter connected on an IT system (an ungrounded power system or a high-resistance-grounded [over 30 ohms] power system), otherwise the system will be connected to ground potential through the EMC filter capacitors of the drive. This can cause danger, or damage the drive.

Do not install the drive with the internal EMC filter connected on a corner-grounded TN system, otherwise the drive will be damaged.

---

**Note:** When the internal EMC filter is disconnected, the drive EMC compatibility is considerably reduced.

---

### Ground-to-phase varistor

The ground-to-phase varistor is not suitable for use on an IT (ungrounded) system. Disconnect the ground-to-phase varistor before connecting the drive to the supply network. Check the table on page 18.

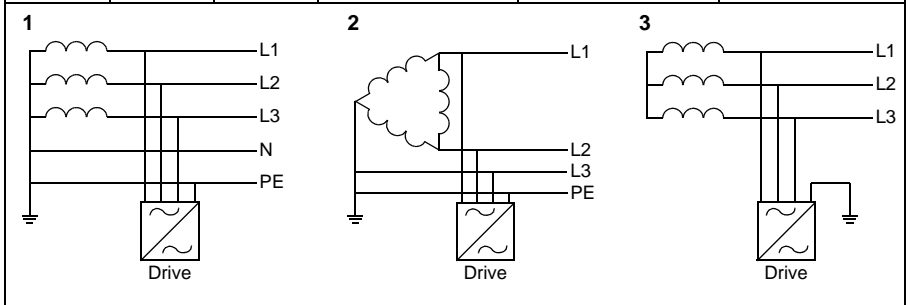
R1-  
R4



**WARNING!** Do not install the drive with the ground-to-phase varistor connected on an IT system (an ungrounded power system or a high-resistance-grounded [over 30 ohms] power system), otherwise the varistor circuit can be damaged.

Check from the table below if you have to disconnect the EMC filter (EMC) or ground-to-phase varistor (VAR). For instructions on how to do this, see page 19.

Frame sizes	EMC filter (EMC)	Ground-to-phase varistor (VAR)	Symmetrically grounded TN systems (TN-S systems) <sup>1</sup>	Corner grounded TN systems <sup>2</sup>	IT systems (ungrounded or high-resistance grounded [ $>30$ ohms]) <sup>3</sup>
R1...R3	EMC (1 screw)	-	Do not disconnect	Disconnect	Disconnect
	-	VAR (1 screw)	Do not disconnect	Disconnect	Disconnect
R4	EMC (2 screws)	-	Do not disconnect	Frame R4 cannot be used in corner grounded TN systems.	Disconnect
	-	VAR (1 screw)	Do not disconnect		Disconnect



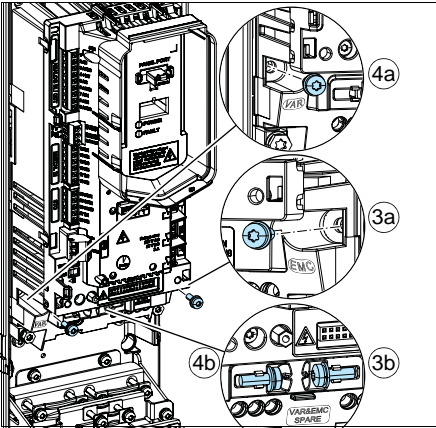
## ■ Disconnect EMC filter or ground-to-phase varistor, if needed

To disconnect the internal EMC filter or ground-to-phase varistor, if needed, do as follows:

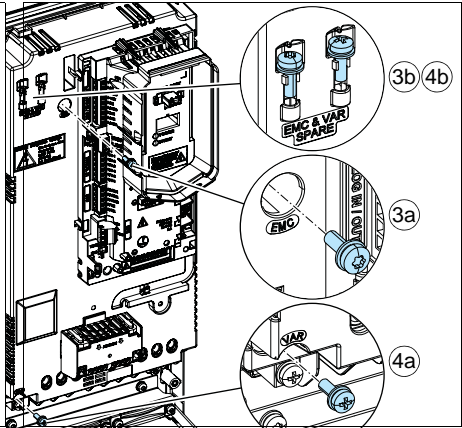
1. Switch off the power from the drive.
2. Open the front cover, if not already opened, see figure **B1** on page **67**.
3. **R1...R3:** To disconnect the internal EMC filter, remove the EMC screw (3a) and place it in the storage place (3b).  
**R4:** To disconnect the internal EMC filter, remove the two EMC screws.
4. **R1...R3:** To disconnect the ground-to-phase varistor, remove the varistor screw (4a) and place it in the storage place (4b).  
**R4:** To disconnect the ground-to-phase varistor, remove the varistor screw.

R1-  
R4

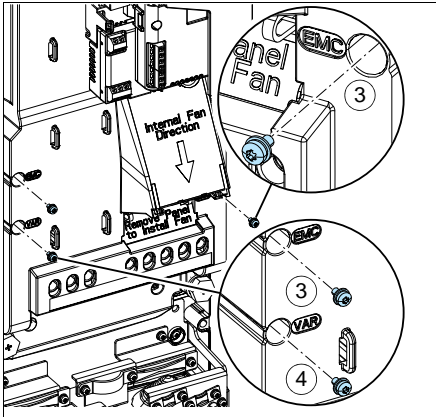
R1...R2



R3



R4



## Wiring R1...R2

**Note:** These are instructions for conduit wiring. For cable wiring, see the *ACS580 Hardware manual*, publication number 3AXD50000018826.

**Note:** In US deliveries, options are already installed at the factory. If installing on site, option slot 1 modules (fieldbus adapter) may be installed by mounting the module on the control board and tightening the mounting screw, which is also the grounding screw. Option slot 2 modules (I/O extension) should not be installed until after the power cables. Refer to Warning and step 8 below.



**WARNING!** If installing modules, obey the instructions in Safety instructions in the *ACS580 Hardware manual*, publication number 3AXD50000018826. If you ignore them, injury or death, or damage to the equipment can occur. Option slot 2 in frames R1...R5 is at  $U_{DC}$  potential. You must disconnect power supplies before installing or removing an I/O extension module.

See figure on page 22.

1. Install thin-wall conduit clamps for IP21/UL Type 1 or liquid-tight conduit connectors for IP55/UL Type 12 (not supplied). Type 12 has a Pressfit gasket.
2. Connect conduit runs for input power, motor and control cables to the conduit box. Ensure grommets (pointing down) are inserted into all unused holes.
3. Route the input power and motor wiring through separate conduits.
4. Strip wires.
5. Connect the motor and ground wires to the drive terminal. Tighten the screws to torques shown in the Power wiring torque table.
6. Connect the input power and ground wires to the drive terminal. Tighten the screws to torques shown in the Power wiring torque table.
7. *If brake resistor is used* — Connect the resistor and ground wires. Tighten the screws to torques shown in the Power wiring torque table.
8. Install option slot 2 modules (I/O extension), if necessary, at this point.
  - A *Frame R1 only:* Install the option mounting.
  - B Put the module carefully into its position on the control board and tighten the mounting screw.
  - C Tighten the grounding screw, which is necessary for proper operation and for fulfilling EMC requirements.

**Note:** Frame R1 — The module in option slot 2 covers the power terminals. Do not install a module in option slot 2 before you have installed the power cables.

9. Route the control cables through the conduit (not the same conduit as either input power or motor wiring).

10. Strip the control cable sheathing and twist the copper screen into a pig-tail.
11. Refer to page 27. Connect the ground screen pig-tail for digital and analog I/O cables. (Ground only at drive end.)
12. Connect the ground screen pig-tail for Embedded fieldbus, EFB (EIA-485) cables at X5. (Ground only at drive end.)
13. Strip and connect the individual control wires to the drive terminals. Tighten the screws to 0.4 lb-ft (0.5...0.6 N-m).

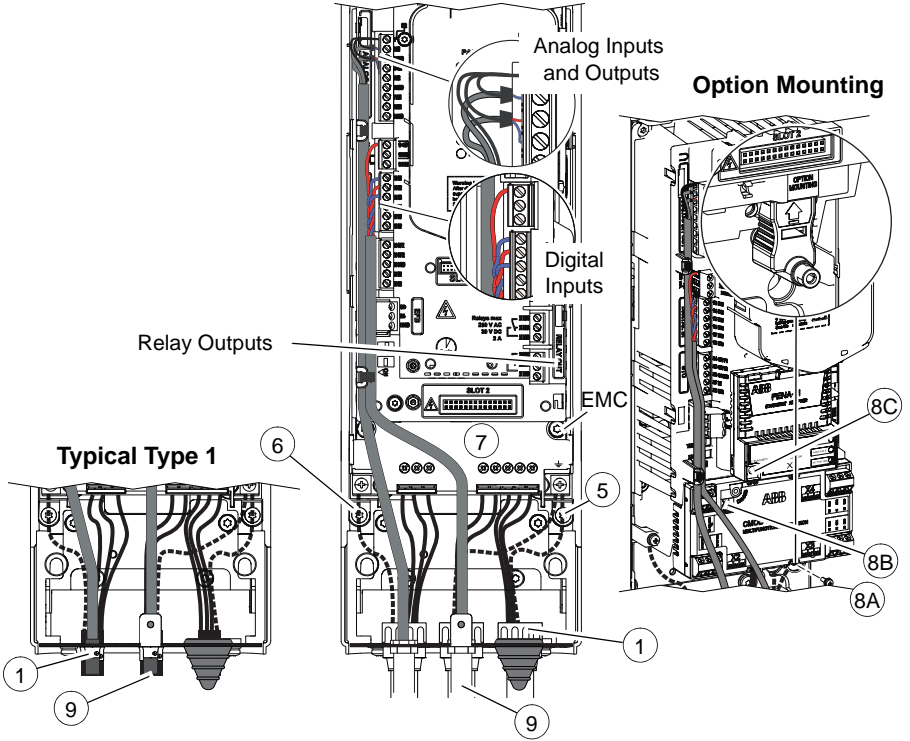
R1-  
R4

**WARNING!** To avoid danger or damage to the drive on IT systems and corner grounded TN systems, see section [Check the compatibility with IT \(ungrounded\) and corner-grounded TN systems](#) on page 17.

---

R1-  
R4

R1...R2 Type 12



Power wiring torque table

Frame size	R1		R2	
	lb-ft	N-m	lb-ft	N-m
T1/U, T2/V, T3/W	0.4	1.2...1.5	1.1	1.2...1.5
L1, L2, L3	0.4	1.2...1.5	1.1	1.2...1.5
R+, R-	0.4	1.2...1.5	1.1	1.2...1.5
PE Ground	1.1	1.5	1.1	1.5

## Wiring R3

**Note:** These are instructions for conduit wiring. For cable wiring, see the *ACS580 Hardware manual*, publication number 3AXD50000018826.

**Note:** In US deliveries, options are already installed at the factory. If installing on site, option slot 1 modules (fieldbus adapter) may be installed by mounting the module on the control board and tightening the mounting screw, which is also the grounding screw. Option slot 2 modules (I/O extension) may be installed by mounting the module on the control board and tightening both the mounting screw and the grounding screw. Refer to Warning.

R1-  
R4



**WARNING!** If installing modules, obey the instructions in Safety instructions in the *ACS580 Hardware manual*, publication number 3AXD50000018826. If you ignore them, injury or death, or damage to the equipment can occur. Option slot 2 in frames R1...R5 is at  $U_{DC}$  potential. You must disconnect power supplies before installing or removing an I/O extension module.

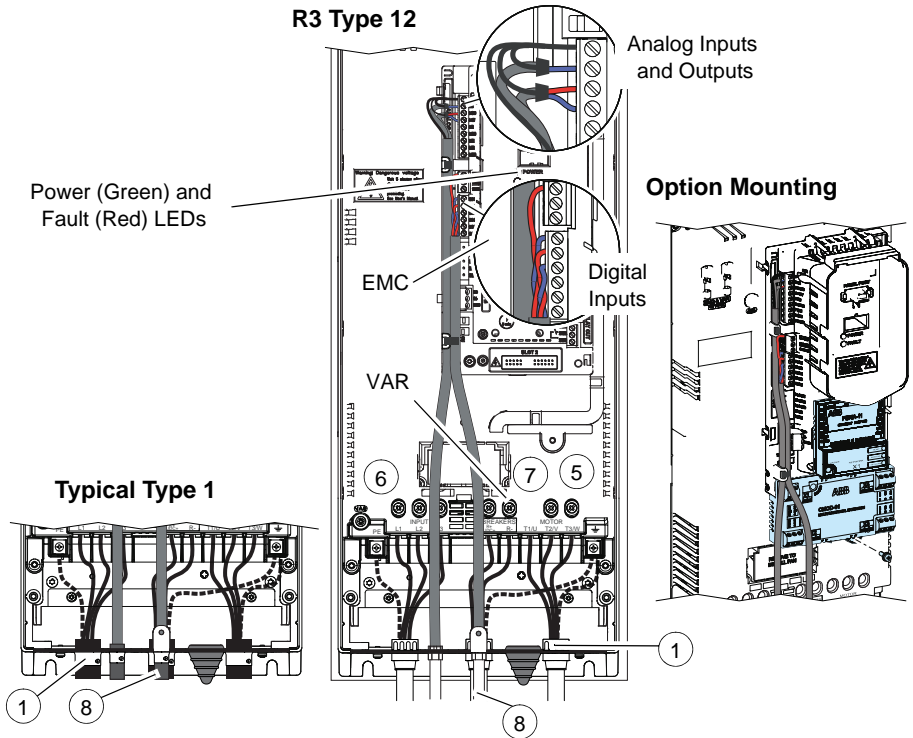
---

See figure on page 24.

1. Install thin-wall conduit clamps for IP21/UL Type 1 or liquid-tight conduit connectors for IP55/UL Type 12 (not supplied). Type 12 has a Pressfit gasket.
  2. Connect conduit runs for input power, motor and control cables to the conduit box. Ensure grommets (pointing down) are inserted into all unused holes.
  3. Route the input power and motor wiring through separate conduits.
  4. Strip wires.
  5. Connect the motor and ground wires to the drive terminal. Tighten the screws to torques shown in the Power wiring torque table.
  6. Connect the input power and ground wires to the drive terminal. Tighten the screws to torques shown in the Power wiring torque table.
  7. *If brake resistor is used* — Connect the resistor and ground wires. Tighten the screws to torques shown in the Power wiring torque table.
  8. Route the control cables through the conduit (not the same conduit as either input power or motor wiring).
  9. Strip the control cable sheathing and twist the copper screen into a pig-tail.
  10. Refer to page 27. Connect the ground screen pig-tail for digital and analog I/O cables. (Ground only at drive end.)
  11. Connect the ground screen pig-tail for Embedded fieldbus, EFB (EIA-485) cables at X5. (Ground only at drive end.)
-

12. Strip and connect the individual control wires to the drive terminals. Tighten the screws to 0.4 lb-ft (0.5...0.6 N-m).

**⚠ WARNING!** To avoid danger or damage to the drive on IT systems and corner grounded TN systems, see section [Check the compatibility with IT \(ungrounded\) and corner-grounded TN systems](#) on page 17.



**Power wiring torque table**

Frame size	R3	
	lb-ft	N-m
T1/U, T2/V, T3/W	3.3	2.5...4.5
L1, L2, L3	3.3	2.5...4.5
R+, R-	3.3	2.5...4.5
PE Ground	1.1	1.5



## Wiring R4

**Note:** These are instructions for conduit wiring. For cable wiring, see the *ACS580 Hardware manual*, publication number 3AXD50000018826.

**Note:** In US deliveries, options are already installed at the factory. If installing on site, option slot 1 modules (fieldbus adapter) may be installed by mounting the module on the control board and tightening the mounting screw, which is also the grounding screw. Option slot 2 modules (I/O extension) may be installed by mounting the module on the control board and tightening both the mounting screw and the grounding screw. Refer to Warning.

R1-  
R4



**WARNING!** If installing modules, obey the instructions in Safety instructions in the *ACS580 Hardware manual*, publication number 3AXD50000018826. If you ignore them, injury or death, or damage to the equipment can occur. Option slot 2 in frames R1...R5 is at  $U_{DC}$  potential. You must disconnect power supplies before installing or removing an I/O extension module.

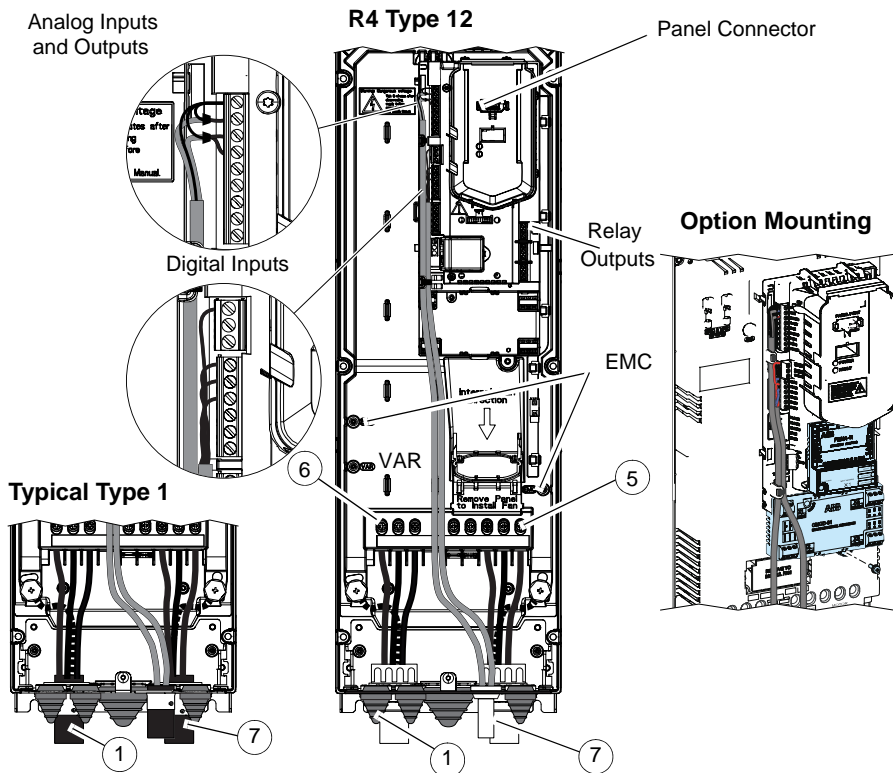
---

See figure on page [26](#).

1. Install thin-wall conduit clamps for IP21/UL Type 1 or liquid-tight conduit connectors for IP55/UL Type 12 (not supplied). Type 12 has a Pressfit gasket.
  2. Connect conduit runs for input power, motor and control cables to the conduit box. Ensure grommets (pointed down) are inserted into all unused holes.
  3. Route the input power and motor wiring through separate conduits.
  4. Strip wires.
  5. Connect the motor and ground wires to the drive terminal. Tighten the screws to torques shown in the Power wiring torque table.
  6. Connect the input power and ground wires to the drive terminal. Tighten the screws to torques shown in the Power wiring torque table.
  7. Route the control cables through the conduit (not the same conduit as either input power or motor wiring).
  8. Strip the control cable sheathing and twist the copper screen into a pig-tail.
  9. Refer to page [27](#). Connect the ground screen pig-tail for digital and analog I/O cables. (Ground only at drive end.)
  10. Connect the ground screen pig-tail for Embedded fieldbus, EFB (EIA-485) cables at X5. (Ground only at drive end.)
  11. Strip and connect the individual control wires to the drive terminals. Tighten the screws to 0.4 lb-ft (0.5...0.6 N-m).
-

**⚠ WARNING!** To avoid danger or damage to the drive on IT systems and corner grounded TN systems, see section [Check the compatibility with IT \(ungrounded\) and corner-grounded TN systems](#) on page 17.

R1-  
R4



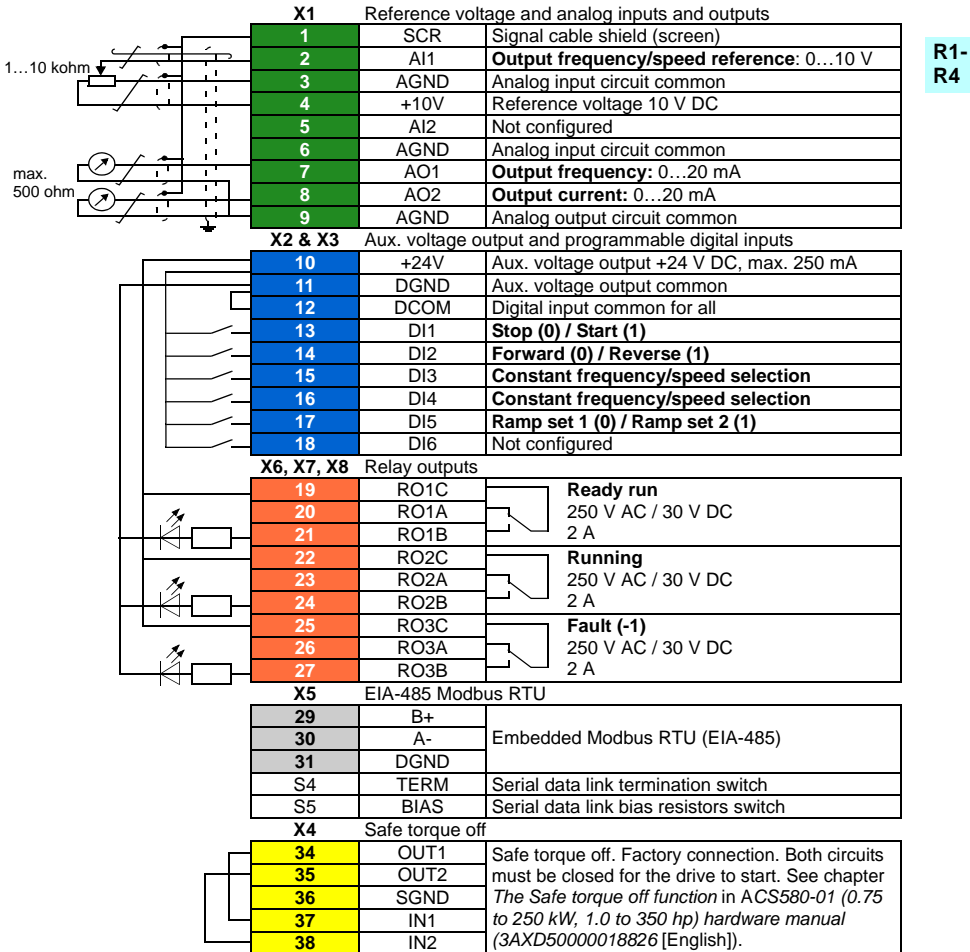
**Note:** UDC+ and UDC- terminals are used for external brake chopper units.

### Power wiring torque table

Frame size	R4	
	lb-ft	N-m
T1/U, T2/V, T3/W	3.0	4.0
L1, L2, L3	3.0	4.0
UDC+ and UDC-	3.0	4.0
PE Ground	1.1	1.5

## Default I/O connections

Default I/O connections of the ABB Standard macro are shown below.



Total load capacity of the Auxiliary voltage output +24V (X2:10) is 6.0 W (250 mA / 24 V DC).

Wire sizes:

0.2...2.5 mm<sup>2</sup> (24...14 AWG): Terminals +24V, DGND, DCOM, B+, A-, DGND, Ext. 24V

0.14...1.5 mm<sup>2</sup> (26...16 AWG): Terminals DI, AI, AO, AGND, RO, STO

Tightening torques: 0.5...0.6 N·m (0.4 lbf·ft)

## Install optional modules, if any

See chapter *Electrical installation* in *ACS580-01 (0.75 to 250 kW, 1.0 to 350 hp) hardware manual (3AXD50000018826 [English])*.

R1-  
R4

## Reinstall cover

See figure [J](#) on page [70](#).

1. Put the tabs on the inside of the cover top in their counterparts on the housing (1a) and then press the cover at the bottom (1b).
2. Tighten the retaining screw with a screwdriver.

For start-up instructions, see chapter [Quick start-up guide](#) on page [55](#).

---

ABB general purpose drives

# Quick installation guide

## ACS580-01 drives

### Frame R5

R5



*[Page intentionally left blank]*

# R5 Quick installation guide

---

This guide briefly describes how to install the drive. For complete information on installation, see *ACS580-01 (0.75 to 250 kW, 1.0 to 350 hp) hardware manual* (3AXD50000018826 [English]). For start-up instructions, see chapter *Quick start-up guide* on page 55.

R5

To read a manual, go to [www.abb.com/drives/documents](http://www.abb.com/drives/documents) and search for the document number.

## Obey the safety instructions

---



**WARNING!** Obey these instructions. If you ignore them, injury or death, or damage to the equipment can occur:

- If you are not a qualified electrician, do not do electrical installation work.
  - Do not work on the drive, motor cable or motor when main power is applied. If the drive is already connected to the input power, wait for 5 minutes after disconnecting the input power.
  - Do not work on the control cables when power is applied to the drive or to the external control circuits.
  - Make sure that debris from borings and grindings does not enter the drive when installing.
  - Make sure that the floor below the drive and the wall where the drive is installed are non-flammable.
- 

## Check if capacitors need to be reformed

If the drive has not been powered (either in storage or unused) for over one year, you must reform the capacitors.

You can determine the manufacturing time from the serial number, which you find on the type designation label attached to the drive. The serial number is of format MYYWWRXXXX. YY and WW tell the manufacturing year and week as follows:

YY: 16, 17, 18, ... for 2016, 2017, 2018, ...

WW: 01, 02, 03, ... for week 1, week 2, week 3, ...

For information on reforming the capacitors, see *Converter module capacitor reforming instructions* (3BFE64059629 [English]), available on the Internet at [www.abb.com/drives/documents](http://www.abb.com/drives/documents).

---

## Select the power cables

Size the power cables according to local regulations to carry the nominal current given on the type designation label of your drive.

## Ensure the cooling

**R5** See table *I* on page 9 for the losses. The allowed operating temperature range of the drive is -15 to +50 °C (+5 to +122 °F). No condensation or frost is allowed. For more information on the ambient temperature and derating, see chapter *Technical data* in *ACS580-01 (0.75 to 250 kW, 1.0 to 350 hp) hardware manual (3AXD50000018826 [English])*.

## Protect the drive and input power cable

See table *II* on page 9 for the fuses.

If you use gG fuses, make sure that the operating time of the fuse is below 0.5 seconds. Follow the local regulations.

## Install the drive on the wall

See figure *R5 Figures A* on page 71.

## Check the insulation of the power cables and the motor

Check the insulation of the input cable according to local regulations before connecting it to the drive.

See figure *B* on page 71.

1. Check the insulation of the motor cable and motor when the cable is disconnected from the drive. Measure the insulation resistance between each phase conductor and then between each phase conductor and the Protective Earth conductor using a measuring voltage of 1000 V DC. The insulation resistance of an ABB motor must exceed 100 Mohm (reference value at 25 °C or 77 °F). For the insulation resistance of other motors, see the manufacturer's instructions.

**Note:** Moisture inside the motor casing will reduce the insulation resistance. If moisture is suspected, dry the motor and repeat the measurement.

---



## Switch off the power and open the cover

See figure [B](#) on page [71](#).

2. Switch off the power from the drive.
3. [IP21, Remove the module cover](#): Loosen the retaining screws with a screwdriver (3a) and lift the cover from the bottom outwards (3b) and then up (3c).
4. [IP21, Remove the box cover](#): Loosen the retaining screws with a screwdriver (4a) and slide the cover downwards (4b).
5. [IP55, Remove the front cover](#): Loosen the retaining screws with a screwdriver (4a) and lift the cover from the bottom outwards (4b) and then up (4c).

R5

## Check the compatibility with IT (ungrounded) and corner-grounded TN systems

### ■ EMC filter

The internal EMC filter is not suitable for use on an IT (ungrounded) system or on a corner-grounded TN system. Disconnect the EMC filter before connecting the drive to the supply network. Check the table on page [34](#).



**WARNING!** Do not install the drive with the internal EMC filter connected on an IT system (an ungrounded power system or a high-resistance-grounded [over 30 ohms] power system), otherwise the system will be connected to ground potential through the EMC filter capacitors of the drive. This can cause danger, or damage the drive.

Do not install the drive with the internal EMC filter connected on a corner-grounded TN system, otherwise the drive will be damaged.

---

**Note:** When the internal EMC filter is disconnected, the drive EMC compatibility is considerably reduced.

### ■ Ground-to-phase varistor

The ground-to-phase varistor is not suitable for use on an IT (ungrounded) system. Disconnect the ground-to-phase varistor before connecting the drive to the supply network. Check the table on page [34](#).



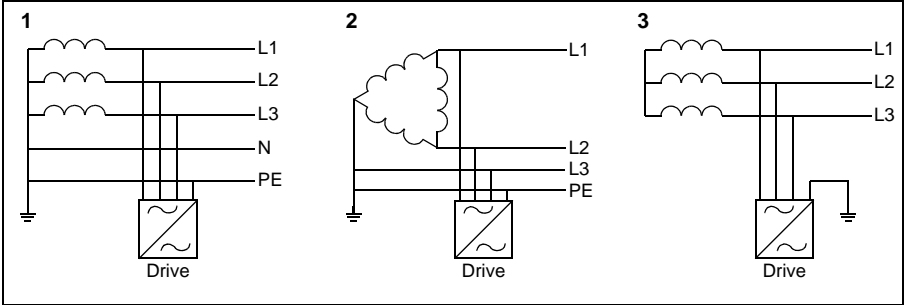
**WARNING!** Do not install the drive with the ground-to-phase varistor connected on an IT system (an ungrounded power system or a high-resistance-grounded [over 30 ohms] power system), otherwise the varistor circuit can be damaged.

---

Check from the table below if you have to disconnect the EMC filter (EMC) or ground-to-phase varistor (VAR). For instructions on how to do this, see page 35.

R5

Frame sizes	EMC filter (EMC)	Ground-to-phase varistor (VAR)	Symmetrically grounded TN systems (TN-S systems) <sup>1</sup>	Corner grounded TN systems <sup>2</sup>	IT systems (ungrounded or high-resistance grounded [ $>30$ ohms]) <sup>3</sup>
R5	EMC (2 screws)	-	Do not disconnect	Frame R5 cannot be used in corner grounded TN systems.	Disconnect
	-	VAR (1 screw)	Do not disconnect		Disconnect

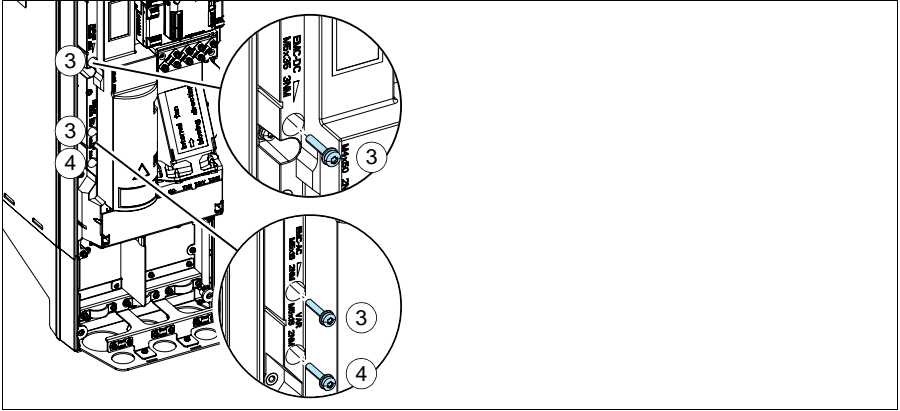


## ■ Disconnect EMC filter or ground-to-phase varistor, if needed

To disconnect the internal EMC filter or ground-to-phase varistor, if needed, do as follows:

1. Switch off the power from the drive.
2. Open the front cover, if not already opened, see figure *B* on page 71.
3. To disconnect the internal EMC filter, remove the two EMC screws.
4. To disconnect the ground-to-phase varistor, remove the varistor screw.

R5



## Wiring R5

**Note:** These are instructions for conduit wiring. For cable wiring, see the *ACS580 Hardware manual*, publication number 3AXD50000018826.

**Note:** In US deliveries, options are already installed at the factory. If installing on site, option slot 1 modules (fieldbus adapter) may be installed by mounting the module on the control board and tightening the mounting screw, which is also the grounding screw. Option slot 2 modules (I/O extension) may be installed by mounting the module on the control board and tightening both the mounting screw and the grounding screw. Refer to Warning.



**WARNING!** If installing modules, obey the instructions in Safety instructions in the *ACS580 Hardware manual*, publication number 3AXD50000018826. If you ignore them, injury or death, or damage to the equipment can occur. Option slot 2 in frames R1...R5 is at  $U_{DC}$  potential. You must disconnect power supplies before installing or removing an I/O extension module.

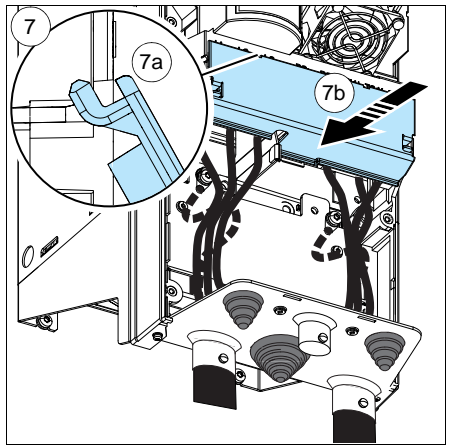
See figure on page 37.

1. Install thin-wall conduit clamps for IP21/UL Type 1 or liquid-tight conduit connectors for IP55/UL Type 12 (not supplied). Type 12 has a Pressfit gasket.
2. Connect conduit runs for input power, motor and control cables to the conduit box. Ensure grommets (pointing down) are inserted into all unused holes.

R5

3. Route the input power and motor wiring through separate conduits.
4. Strip wires.
5. Connect the motor and ground wires to the drive terminal. Tighten the screws to torques shown in the Power wiring torque table.
6. Connect the input power and ground wires to the drive terminal. Tighten the screws to torques shown in the Power wiring torque table.

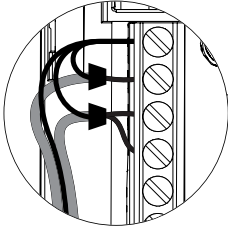
7. Reinstall the shroud on the power terminals by putting the tabs at the top of the shroud in their counterparts on the drive frame and then pressing the shroud in place.



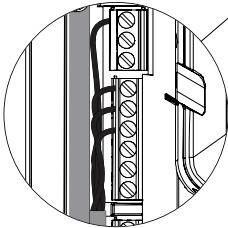
8. Route the control cables through the conduit (not the same conduit as either input power or motor wiring).
9. Strip the control cable sheathing and twist the copper screen into a pig-tail.
10. Refer to page 38. Connect the ground screen pig-tail for digital and analog I/O cables. (Ground only at drive end.)
11. Connect the ground screen pig-tail for Embedded fieldbus, EFB (EIA-485) cables at X5. (Ground only at drive end.)
12. Strip and connect the individual control wires to the drive terminals. Tighten the screws to 0.4 lb-ft (0.5...0.6 N-m).

**⚠ WARNING!** To avoid danger or damage to the drive on IT systems and corner grounded TN systems, see section *Check the compatibility with IT (ungrounded) and corner-grounded TN systems* on page 33.

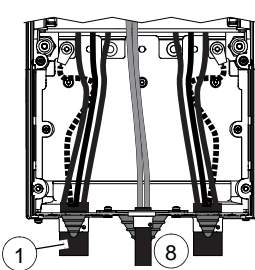
Analog Inputs and Outputs



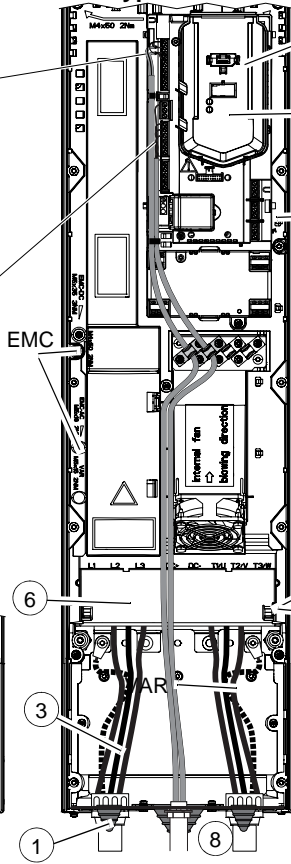
Digital Inputs



Typical Type 1



R5 Type 12



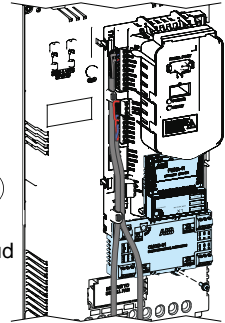
Panel Connector

Power (Green) and Fault (Red) LEDs

Relay Outputs

EMC

Option Mounting



Shroud

**Note:** UDC+ and UDC- terminals are used for external brake chopper units.

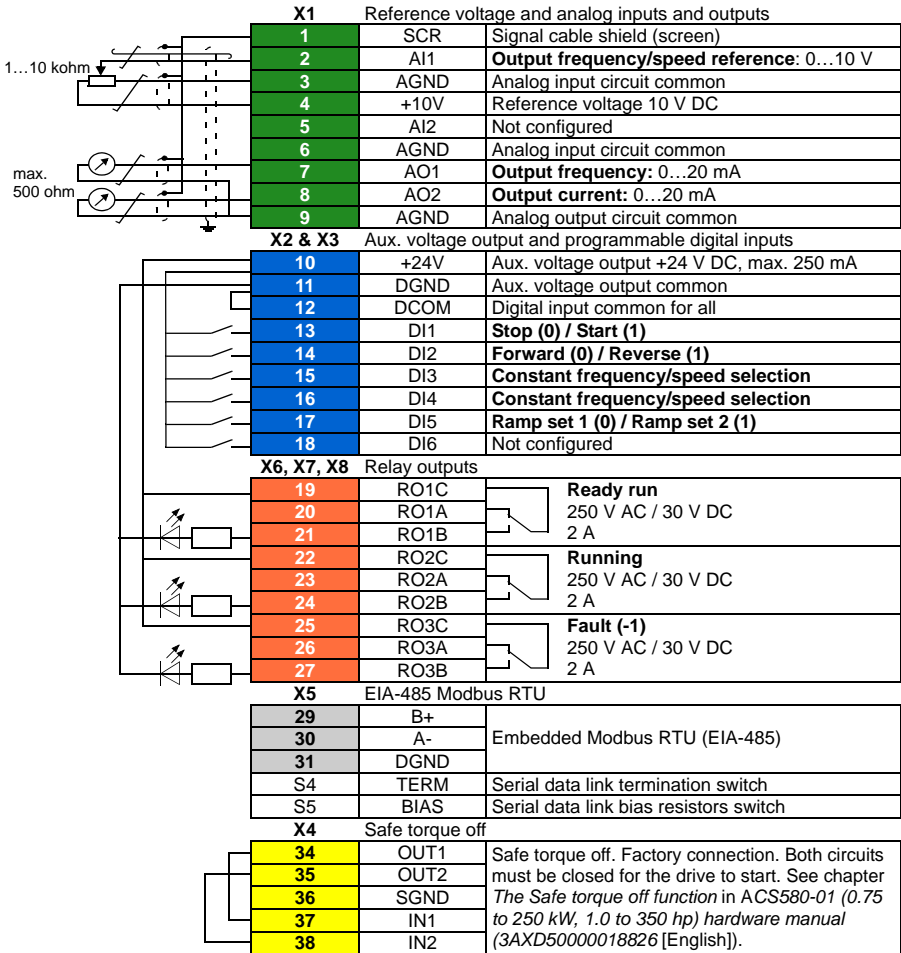
**Power wiring torque table**

Frame size	R5	
	lb-ft	N-m
T1/U, T2/V, T3/W	4.1	5.6
L1, L2, L3	4.1	5.6
UDC+ and UDC-	4.1	5.6
PE Ground	1.1	1.5

## Default I/O connections

Default I/O connections of the ABB Standard macro are shown below.

R5



Total load capacity of the Auxiliary voltage output +24V (X2:10) is 6.0 W (250 mA / 24 V DC).

Wire sizes:

0.2...2.5 mm<sup>2</sup> (24...14 AWG): Terminals +24V, DGND, DCOM, B+, A-, DGND, Ext. 24V

0.14...1.5 mm<sup>2</sup> (26...16 AWG): Terminals DI, AI, AO, AGND, RO, STO

Tightening torques: 0.5...0.6 N·m (0.4 lbf·ft)

## Install optional modules, if any

See chapter *Electrical installation* in *ACS580-01 (0.75 to 250 kW, 1.0 to 350 hp) hardware manual (3AXD50000018826 [English])*.

## Reinstall cover

See figure [H](#) on page [74](#).

R5

1. IP21, Reinstall the box cover: Slide the cover upwards (1a) and tighten the retaining screws (1b).
2. IP21, Reinstall the module cover: Put the tabs on the inside of the cover top in their counterparts on the housing (2a), press the cover at the bottom (2b) and tighten the retaining screws (2c).
3. IP55, Reinstall the front cover: Put the tabs on the inside of the cover top in their counterparts on the housing (3a), press the cover at the bottom (3a) and tighten the retaining screws (3b).

For start-up instructions, see chapter [Quick start-up guide](#) on page [55](#).

---

R5

*[Page intentionally left blank]*

---



ABB general purpose drives

# Quick installation guide

## ACS580-01 drives

### Frames R6 to R9

R6-  
R9



Power and productivity  
for a better world™ **ABB**

*[Page intentionally left blank]*

# R6...R9 Quick installation guide

---

This guide briefly describes how to install the drive. For complete information on installation, see *ACS580-01 (0.75 to 250 kW) hardware manual* (3AXD50000018826 [English]). For start-up instructions, see chapter *Quick start-up guide* on page 55.

To read a manual, go to [www.abb.com/drives/documents](http://www.abb.com/drives/documents) and search for the document number.

R6-  
R9

## Obey the safety instructions

---



**WARNING!** Obey these instructions. If you ignore them, injury or death, or damage to the equipment can occur:

- If you are not a qualified electrician, do not do electrical installation work.
  - Do not work on the drive, motor cable or motor when main power is applied. If the drive is already connected to the input power, wait for 5 minutes after disconnecting the input power.
  - Do not work on the control cables when power is applied to the drive or to the external control circuits.
  - Use the lifting eyes of the drive when you lift the drive. Do not tilt the drive. The drive is heavy and its center of gravity is high. An overturning drive can cause physical injury.
  - Make sure that debris from borings and grindings does not enter the drive when installing.
  - Make sure that the floor below the drive and the wall where the drive is installed are non-flammable.
- 

## Check if capacitors need to be reformed

If the drive has not been powered (either in storage or unused) for over one year, you must reform the capacitors.

You can determine the manufacturing time from the serial number, which you find on the type designation label attached to the drive. The serial number is of format MYYWWRXXXX. YY and WW tell the manufacturing year and week as follows:

YY: 13, 14, 15, ... for 2013, 2014, 2015, ...

WW: 01, 02, 03, ... for week 1, week 2, week 3, ...

---

For information on reforming the capacitors, see *Converter module capacitor reforming instructions* (3BFE64059629 [English]), available on the Internet at [www.abb.com/drives/documents](http://www.abb.com/drives/documents).

## Select the power cables

Size the power cables according to local regulations to carry the nominal current given on the type designation label of your drive.

## R6- R9 Ensure the cooling

See table *I* on page *11* for the losses. The allowed operating temperature range of the drive is -15 to +50 °C (+5 to +122 °F). No condensation or frost is allowed. For more information on the ambient temperature and derating, see chapter *Technical data* in *ACS580-01 (0.75 to 250 kW) hardware manual* (3AXD50000018826 [English]).


## Protect the drive and input power cable

See table *II* on page *11* for the fuses.

If you use gG fuses, make sure that the operating time of the fuse is below 0.5 seconds. Follow the local regulations.

## Install the drive on the wall

---

 **Warning!** The drive module is heavy (42 to 103 kg / 93 to 227 lb). Use a suitable lifting device. Do not lift the module manually. Make sure that the wall and the fixing devices can carry the weight.

---

See figure *R6...R9 Figures A* on page *75*.

## Check the insulation of the power cables and the motor

Check the insulation of the input cable according to local regulations before connecting it to the drive.

See figure *B* on page 75.

1. Check the insulation of the motor cable and motor before connecting it to the drive. Measure the insulation resistance between each phase conductor and then between each phase conductor and the Protective Earth conductor using a measuring voltage of 1000 V DC. The insulation resistance of an ABB motor must exceed 100 Mohm (reference value at 25 °C or 77 °F). For the insulation resistance of other motors, see the manufacturer's instructions.

R6-  
R9

**Note:** Moisture inside the motor casing will reduce the insulation resistance. If moisture is suspected, dry the motor and repeat the measurement.

## Check the compatibility with IT (ungrounded) and corner-grounded TN systems

### ■ EMC filter

The internal EMC filter is not suitable for use on an IT (ungrounded) system or on a corner-grounded TN system. Disconnect the EMC filter before connecting the drive to the supply network. Check the table on page 46.



**WARNING!** Do not install the drive with the internal EMC filter connected on an IT system (an ungrounded power system or a high-resistance-grounded [over 30 ohms] power system), otherwise the system will be connected to ground potential through the EMC filter capacitors of the drive. This can cause danger, or damage the drive.

Do not install the drive with the internal EMC filter connected on a corner-grounded TN system, otherwise the drive will be damaged.

---

**Note:** When the internal EMC filter is disconnected, the drive EMC compatibility is considerably reduced.

### ■ Ground-to-phase varistor

The ground-to-phase varistor is not suitable for use on an IT (ungrounded) system. Disconnect the ground-to-phase varistor before connecting the drive to the supply network. Check the table on page 46.

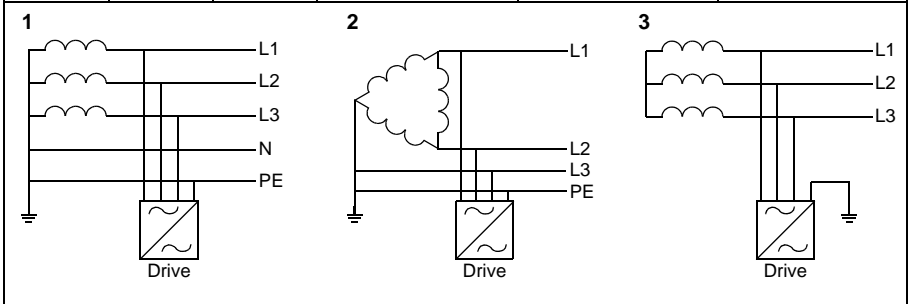
---



**WARNING!** Do not install the drive with the ground-to-phase varistor connected on an IT system (an ungrounded power system or a high-resistance-grounded [over 30 ohms] power system), otherwise the varistor circuit can be damaged.

Check from the table below if you have to disconnect the EMC filter (EMC) or ground-to-phase varistor (VAR). For instructions on how to do this, see page 47.

Frame sizes	EMC filter (EMC)	Ground-to-phase varistor (VAR)	Symmetrically grounded TN systems (TN-S systems) <sup>1</sup>	Corner grounded TN systems <sup>2</sup>	IT systems (ungrounded or high-resistance grounded [>30 ohms]) <sup>3</sup>
R6...R9	EMC (2 screws)	-	Do not disconnect	Disconnect	Disconnect
	-	VAR (1 screw)	Do not disconnect	Do not disconnect	Disconnect

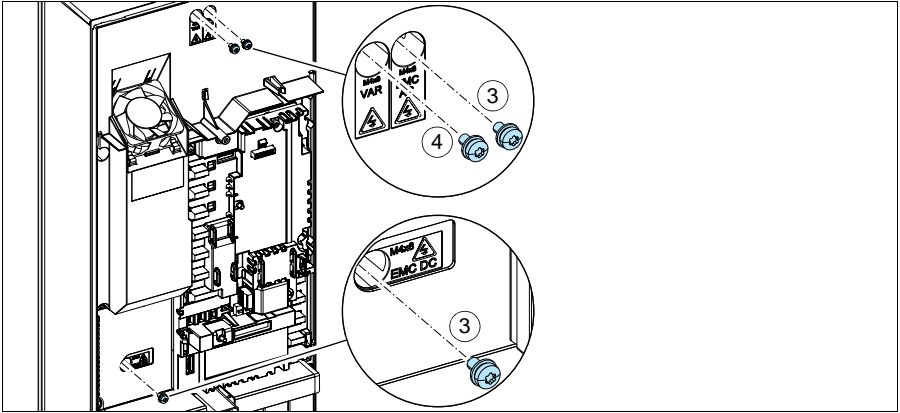


## ■ Disconnect EMC filter or ground-to-phase varistor, if needed

To disconnect the internal EMC filter or ground-to-phase varistor, if needed, do as follows:

1. Switch off the power from the drive.
2. Open the front cover, if not already opened, see steps 5, IP21 and 5, IP55 in figure [R6...R9 Figures A](#) on page 75.
3. To disconnect the internal EMC filter, remove the two EMC screws.
4. To disconnect the ground-to-phase varistor, remove the varistor screw.

R6-  
R9



## Wiring R6...R9

**Note:** These are instructions for conduit wiring. For cable wiring, see the *ACS580 Hardware manual*, publication number 3AXD50000018826.

**Note:** In US deliveries, options are already installed at the factory. If installing on site, see the appropriate option module manual for specific installation and wiring.

See figure on page 49.

R6-  
R9

1. Install thin-wall conduit clamps for IP21/UL Type 1 or liquid-tight conduit connectors for IP55/UL Type 12 (not supplied). Type 12 has a Pressfit gasket.
2. Connect conduit runs for input power, motor and control cables to the conduit box. Ensure grommets (pointing down) are inserted into all unused holes.
3. Route the input power and motor wiring through separate conduits.
4. Strip wires.
5. Connect the motor and ground wires to the drive terminal. Tighten the screws to torques shown in the Power wiring torque table.

**Note:** *Frames R8...R9* — If you connect only one conductor to the connector, we recommend that you put it under the upper pressure plate.

6. Connect the input power and ground wires to the drive terminal. Tighten the screws to torques shown in the Power wiring torque table.
7. *Frames R8...R9* — If parallel cables are used, install the parallel power cables.
8. Reinstall the shroud on the power terminals and the conduit box side plates.
9. Route the control cables through the conduit (not the same conduit as either input power or motor wiring).
10. Strip the control cable sheathing and twist the copper screen into a pig-tail.
11. Refer to page 50. Connect the ground screen pig-tail for digital and analog I/O cables. (Ground only at drive end.)
12. Connect the ground screen pig-tail for Embedded fieldbus, EFB (EIA-485) cables at X5. (Ground only at drive end.)
13. Strip and connect the individual control wires to the drive terminals. Tighten the screws to 0.4 lb-ft (0.5...0.6 N-m).



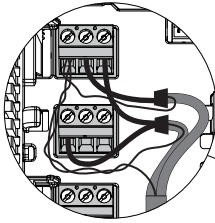
**WARNING!** To avoid danger or damage to the drive on IT systems and corner grounded TN systems, see section [Check the compatibility with IT \(ungrounded\) and corner-grounded TN systems](#) on page 45.

---

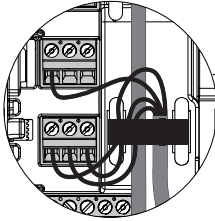


Analog Inputs and Outputs

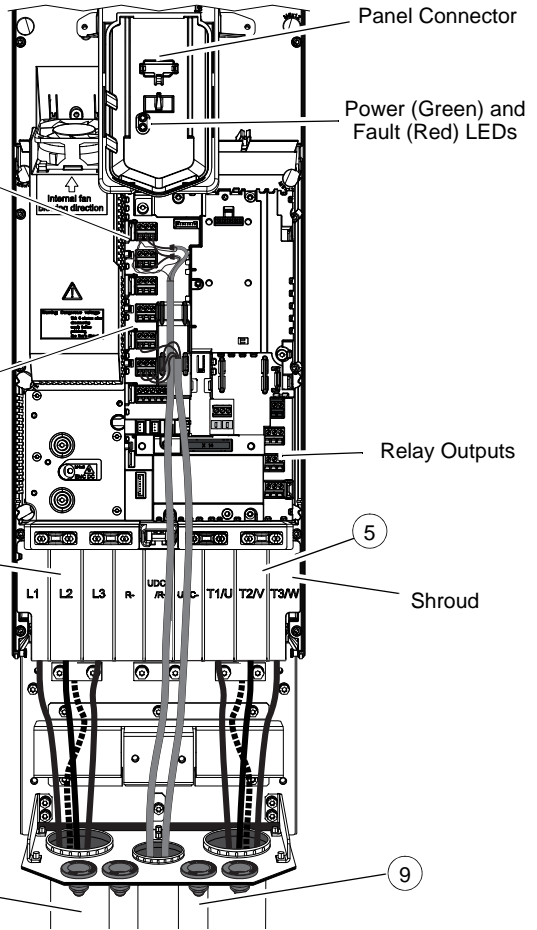
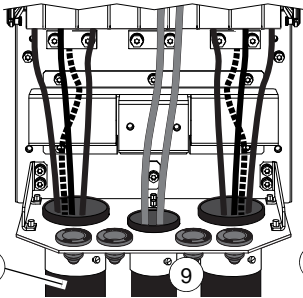
R7 Type 12



Digital Inputs



Typical Type 1



**Note:** UDC+ and UDC- terminals are used for external brake chopper units.

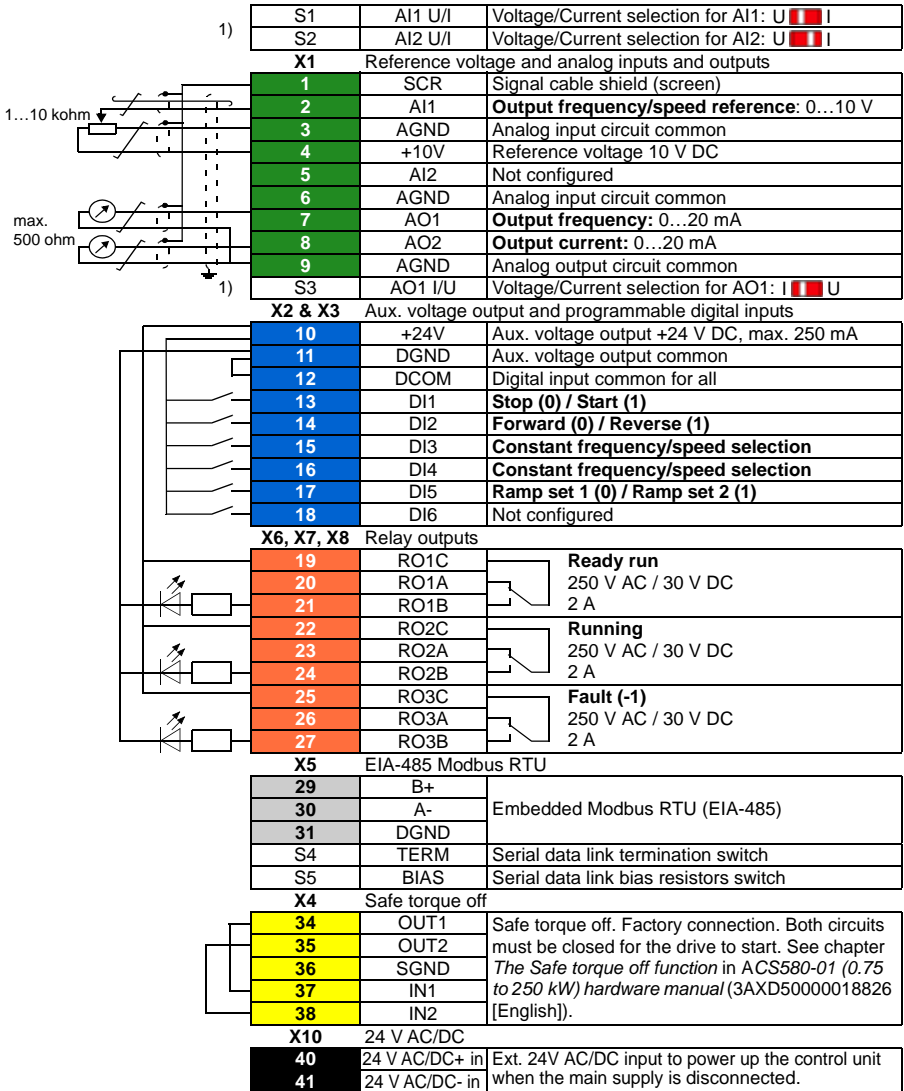
**Power wiring torque table**

Frame size	R6		R7		R8		R9	
	lb-ft	N-m	lb-ft	N-m	lb-ft	N-m	lb-ft	N-m
T1/U, T2/V, T3/W	22.1	30	29.5	40	29.6	40	51.6	70
L1, L2, L3	22.1	30	29.5	40	29.6	40	51.6	70
UDC+ and UDC-	22.1	30	29.5	30	29.5	40	51.6	70
PE Ground	1.1	1.5	1.1	1.5	1.1	1.5	1.1	1.5

## Default I/O connections

Default I/O connections of the ABB Standard macro are shown below.

R6-  
R9



1) All control boards do not have switches S1, S2 and S3. In that case, select voltage or current for inputs AI1 and AI2 and output AO1 with parameters. See the firmware manual.

Total load capacity of the Auxiliary voltage output +24V (X2:10) is 6.0 W (250 mA / 24 V DC).

Wire sizes: 0.14...2.5 mm<sup>2</sup> (26...16 AWG): All terminals

Tightening torques: 0.5...0.6 N·m (0.4 lbf·ft)

## Install optional modules, if any

See chapter *Electrical installation* in *ACS580-01 (0.75 to 250 kW) hardware manual* (3AXD50000018826 [English]).

## Install side plates and covers

See figure *R6...R9 Figures E* on page 77.

### IP21

1. Reinstall the side plates of the cable entry box. Tighten the retaining screws with a screwdriver.
2. Slide the cover of the cable entry box on the module from below until the cover snaps into place.
3. Reinstall the module cover. Tighten the two retaining screws with a screwdriver.

### IP55

1. Reinstall the module cover. Tighten the two retaining screws with a screwdriver.

For start-up instructions, see chapter *Quick start-up guide* on page 55.

R6-  
R9

*[Page intentionally left blank]*

---

ABB general purpose drives

# Quick start-up guide

## ACS580-01 drives

### Frames R1 to R9

R1-  
R4

R5

R6-  
R9



Power and productivity  
for a better world™



*[Page intentionally left blank]*

# Quick start-up guide

This guide describes how to start-up the drive using the First start assistant on the assistant control panel.

## Before you start



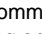
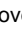

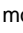
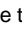


Ensure that the drive has been installed as described in chapter *R1...R4 Quick installation guide* on page 15, in chapter *R5 Quick installation guide* page 31 or in chapter *R6...R9 Quick installation guide* on page 43.

R1-  
R4

R5

R6-  
R9

## Start-up with the First start assistant on an assistant control panel

Safety	
<input type="checkbox"/>	Make sure that the installation work is complete. Make sure that cover of the drive and the cable box, if included, are on place.
<input type="checkbox"/>	 Check that the starting of the motor does not cause any danger. <b>De-couple the driven machine</b> if there is a risk of damage in case of an incorrect direction of rotation.
Hints on using the assistant control panel	
<p>The two commands at the bottom of the display (<b>Options</b> and <b>Menu</b> in the figure on the right), show the functions of the two softkeys  and  located below the display. The commands assigned to the softkeys vary depending on the context.</p> <p>Use keys , ,  and  to move the cursor and/or change values depending on the active view.</p> <p>Key  shows a context-sensitive help page.</p>	
1 – First start assistant guided settings: Language, date and time, and motor nominal values	
<input type="checkbox"/>	Have the motor name plate data at hand. Power up the drive.




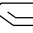
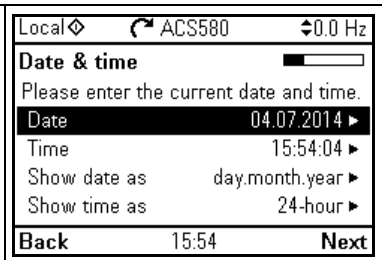
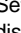
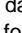
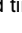
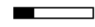




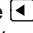
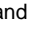

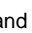

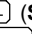
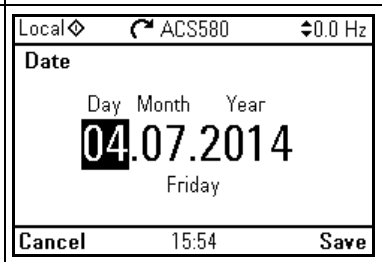




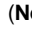
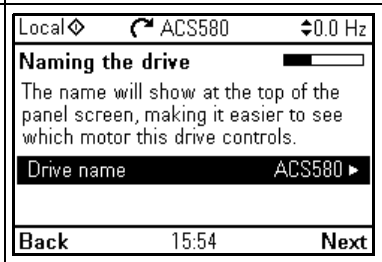





R1-  
R4

R5

R6-  
R9

<input type="checkbox"/>	<p>The First start assistant guides you through the first start-up.</p> <p>The assistant begins automatically. Wait until the control panel enters the view shown on the right.</p> <p>Select the language you want to use by highlighting it (if not already highlighted) and pressing  (<b>OK</b>).</p> <p><b>Note:</b> After you have selected the language, it takes a few minutes for the control panel to wake up.</p>	
<input type="checkbox"/>	<p>Select <b>Start set-up</b> and press  (<b>Next</b>).</p>	
<input type="checkbox"/>	<p>Select the localization you want to use and press  (<b>Next</b>).</p>	
<input type="checkbox"/>	<p>Change the units shown on the panel if needed.</p> <ul style="list-style-type: none"> <li>Go to the edit view of a selected row by pressing .</li> <li>Scroll the view with  and .</li> </ul> <p>Go to the next view by pressing  (<b>Next</b>).</p>	
<input type="checkbox"/>	<p>To select a value in an edit view:</p> <ul style="list-style-type: none"> <li>Use  and  to select the value.</li> </ul> <p>Press  (<b>Save</b>) to accept the new setting, or press  (<b>Cancel</b>) to go back to the previous view without making changes.</p>	



<input type="checkbox"/> Set the date and time as well as date and time display formats. <ul style="list-style-type: none"> <li>Go to the edit view of a selected row by pressing .</li> <li>Scroll the view with  and .</li> </ul> Go to the next view by pressing  ( <b>Next</b> ).	 <p>Local   ACS580  0.0 Hz</p> <p><b>Date &amp; time</b> </p> <p>Please enter the current date and time.</p> <p>Date 04.07.2014 </p> <p>Time 15:54:04 </p> <p>Show date as day.month.year </p> <p>Show time as 24-hour </p> <p><b>Back</b> 15:54 <b>Next</b></p>
<input type="checkbox"/> To change a value in an edit view: <ul style="list-style-type: none"> <li>Use  and  to move the cursor left and right.</li> <li>Use  and  to change the value.</li> <li>Press  (<b>Save</b>) to accept the new setting, or press  (<b>Cancel</b>) to go back to the previous view without making changes.</li> </ul>	 <p>Local   ACS580  0.0 Hz</p> <p><b>Date</b></p> <p>Day Month Year</p> <p><b>04.07.2014</b></p> <p>Friday</p> <p><b>Cancel</b> 15:54 <b>Save</b></p>
<input type="checkbox"/> To give the drive a name that will be shown at the top, press  . If you do not want to change the default name (ACS580), continue straight to the set-up of the motor nominal values by pressing  ( <b>Next</b> ). For information on editing text, see <i>ACS580 standard control program firmware manual</i> (3AXD50000016097 [English]).	 <p>Local   ACS580  0.0 Hz</p> <p><b>Naming the drive</b> </p> <p>The name will show at the top of the panel screen, making it easier to see which motor this drive controls.</p> <p>Drive name ACS580 </p> <p><b>Back</b> 15:54 <b>Next</b></p>

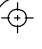


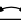


R1-  
R4


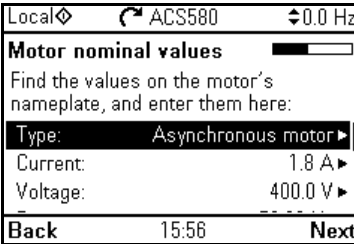







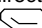
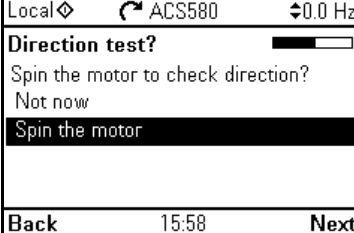




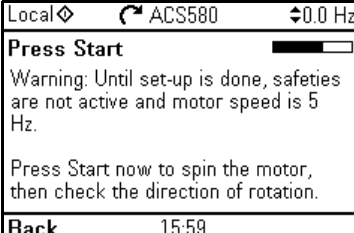



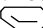

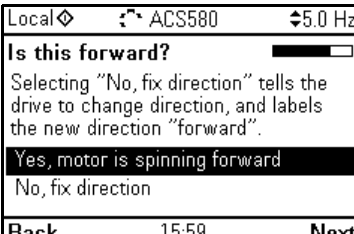
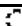


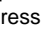

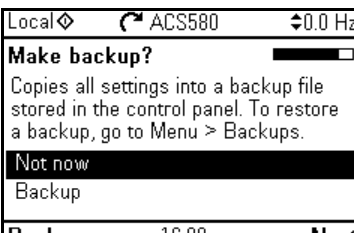

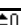

R5

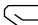


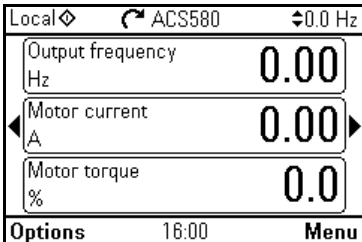


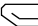
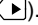
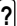
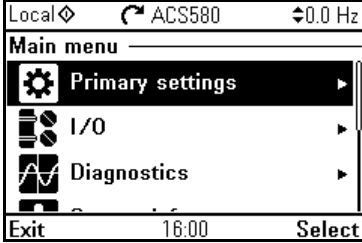




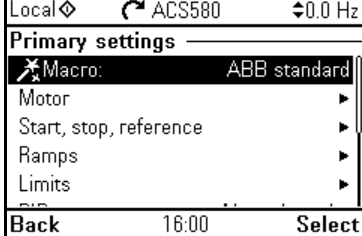


R6-  
R9

Refer to the motor nameplate for the following nominal value settings of the motor. Enter the values exactly as shown on the motor nameplate.

Example of a nameplate of an induction (asynchronous) motor:

 <b>ABB Motors</b>  										
3 ~ motor		M2AA 200 MLA 4								
IEC 200 M/L 55 										
No										
					Ins.cl. F		IP 55			
V	Hz	kW	r/min	A	cos φ	IA/IN	T <sup>1</sup> /s			
690 Y	50	30	1475	32.5	0.83					
400 D	50	30	1475	56	0.83					
660 Y	50	30	1470	34	0.83					
380 D	50	30	1470	59	0.83					
415 D	50	30	1475	54	0.83					
440 D	60	35	1770	59	0.83					
Cat. no 3GAA 202 001 - ADA										
6312/C3							6210/C3		180 kg	
IEC 34-1 										

<input type="checkbox"/> <b>R1- R4 R5</b>	<p>Check that the motor data is correct. Values are predefined on the basis of the drive size but you should verify that they correspond to the motor. Start with the motor type.</p> <p>Motor nominal <math>\cos\Phi</math> and nominal torque are optional.</p> <p>Press  (<b>Next</b>) to continue.</p>	 <p>Local  ACS580  0.0 Hz</p> <p><b>Motor nominal values</b> </p> <p>Find the values on the motor's nameplate, and enter them here:</p> <p>Type: Asynchronous motor </p> <p>Current: 1.8 A </p> <p>Voltage: 400.0 V </p> <p><b>Back</b> 15:56 <b>Next</b></p>
<input type="checkbox"/> <b>R6- R9</b> 	<p>This step is optional, and requires rotating the motor. Do not do this if it could cause any risk, or if the mechanical set-up does not allow it.</p> <p>To do the direction test, select <b>Spin the motor</b> and press  (<b>Next</b>).</p>	 <p>Local  ACS580  0.0 Hz</p> <p><b>Direction test?</b> </p> <p>Spin the motor to check direction?</p> <p>Not now</p> <p><b>Spin the motor</b></p> <p><b>Back</b> 15:58 <b>Next</b></p>
<input type="checkbox"/>	<p>Press the Start key  on the panel to start the drive.</p>	 <p>Local  ACS580  0.0 Hz</p> <p><b>Press Start</b> </p> <p>Warning: Until set-up is done, safeties are not active and motor speed is 5 Hz.</p> <p>Press Start now to spin the motor, then check the direction of rotation.</p> <p><b>Back</b> 15:59</p>
<input type="checkbox"/>	<p>Check the direction of the motor.</p> <p>If it is forward, select <b>Yes, motor is spinning forward</b> and press  (<b>Next</b>) to continue.</p> <p>If the direction is not forward, select <b>No, fix direction</b> and press  (<b>Next</b>) to continue.</p>	 <p>Local  ACS580  5.0 Hz</p> <p><b>Is this forward?</b> </p> <p>Selecting "No, fix direction" tells the drive to change direction, and labels the new direction "forward".</p> <p><b>Yes, motor is spinning forward</b></p> <p>No, fix direction</p> <p><b>Back</b> 15:59 <b>Next</b></p>
<input type="checkbox"/>	<p>If you want to make a backup of the settings made so far, select <b>Backup</b> and press  (<b>Next</b>).</p> <p>If you do not want to make a backup, select <b>Not now</b> and press  (<b>Next</b>).</p>	 <p>Local  ACS580  0.0 Hz</p> <p><b>Make backup?</b> </p> <p>Copies all settings into a backup file stored in the control panel. To restore a backup, go to Menu &gt; Backups.</p> <p><b>Not now</b></p> <p>Backup</p> <p><b>Back</b> 16:00 <b>Next</b></p>

<input type="checkbox"/>	<p>The first start is now complete and the drive is ready for use. Press  (<b>Done</b>) to enter the Home view.</p>	 <p>Local  ACS580 0.0 Hz</p> <p><b>First start complete</b> Drive is ready for use. Start/Stop: DI1 Direction: DI2 Reference (freq): AI1 scaled</p> <p><b>Back</b> 16:00 <b>Done</b></p>
<input type="checkbox"/>	<p>The Home view monitoring the values of the selected signals is shown on the panel.</p>	 <p>Local  ACS580 0.0 Hz</p> <p>Output frequency 0.00 Hz Motor current 0.00 A Motor torque 0.0 %</p> <p><b>Options</b> 16:00 <b>Menu</b></p>
<h2>2 – Additional settings in the Primary settings menu</h2>		
<input type="checkbox"/>	<p>Make any additional adjustments, for example macro, ramps and limits, starting from the <b>Main</b> menu – press  (<b>Menu</b>) to enter the <b>Main</b> menu.</p> <p>Select <b>Primary settings</b> and press  (<b>Select</b>) (or ).</p> <p>We recommend that you make at least these additional settings:</p> <ul style="list-style-type: none"> <li>• Choose a macro or set start, stop and reference values individually</li> <li>• Ramps</li> <li>• Limits</li> </ul> <p>With the <b>Primary settings</b> menu, you can also adjust settings related to the motor, PID, fieldbus, advanced functions and clock, region and display. In addition, the menu contains an item to reset the panel Home view.</p> <p>To get more information on the <b>Primary settings</b> menu items, press  to open the help page.</p>	 <p>Local  ACS580 0.0 Hz</p> <p><b>Main menu</b></p> <ul style="list-style-type: none"> <li> <b>Primary settings</b> ▶</li> <li> I/O ▶</li> <li> Diagnostics ▶</li> </ul> <p><b>Exit</b> 16:00 <b>Select</b></p>  <p>Local  ACS580 0.0 Hz</p> <p><b>Primary settings</b></p> <ul style="list-style-type: none"> <li> Macro: ABB standard</li> <li>Motor ▶</li> <li>Start, stop, reference ▶</li> <li>Ramps ▶</li> <li>Limits ▶</li> </ul> <p><b>Back</b> 16:00 <b>Select</b></p>

R1-  
R4

R5

R6-  
R9

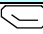
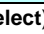






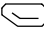


## 2 – Additional settings: Start, stop and reference values

<p>R1- R4</p> <p>R5</p> <p>R6- R9</p>	<p><input type="checkbox"/> If you do not wish to use a macro, define the settings for start, stop and reference: Select <b>Start, stop, reference</b> and press  (<b>Select</b>) (or ).</p>	<p>Local  ACS580  0.0 Hz</p> <p><b>Primary settings</b></p> <p>Macro: ABB standard</p> <p>Motor ▶</p> <p><b>Start, stop, reference</b> ▶</p> <p>Ramps ▶</p> <p>Limits ▶</p> <p>Back 16:02 <b>Select</b></p>
<p></p>	<p><input type="checkbox"/> Adjust the parameters according to your needs. Select a parameter and, depending on the parameter type, press  (<b>Edit</b>) or press  (<b>Select</b>) (or ).</p> <p>When you change the settings, you also change the use of the I/O signals in the drive. Make sure the actual I/O wiring and the use of I/O in the control program match each other. You can check the current I/O use in the I/O menu under the <b>Main</b> menu.</p> <p>After making the adjustments, go back to the <b>Primary settings</b> menu by pressing  (<b>Back</b>).</p>	<p>Local  ACS580  0.0 Hz</p> <p><b>Start, stop, reference</b></p> <p>Reference from: A11 directly </p> <p>A11 scaling ▶</p> <p>Start/stop/dir from: D11 start/stop,...</p> <p>Secondary control location Off ▶</p> <p>Constant frequencies On ▶</p> <p>Back 16:02 <b>Edit</b></p>

## 2 – Additional settings: Ramps (acceleration and deceleration times for the motor)

<p><input type="checkbox"/></p>	<p>Select <b>Ramps</b> and press  (<b>Select</b>) (or ).</p>	<p>Local  ACS580  0.0 Hz</p> <p><b>Primary settings</b></p> <p>Macro: ABB standard</p> <p>Motor ▶</p> <p>Start, stop, reference ▶</p> <p><b>Ramps</b> ▶</p> <p>Limits ▶</p> <p>Back 16:02 <b>Select</b></p>
<p><input type="checkbox"/></p>	<p>Adjust the parameters according to your needs. Select a parameter and press  (<b>Edit</b>). After making the adjustments, go back to the <b>Primary settings</b> menu by pressing  (<b>Back</b>).</p>	<p>Local  ACS580  0.0 Hz</p> <p><b>Ramps</b></p> <p>Acceleration time: 20.000 s</p> <p>Deceleration time: 20.000 s</p> <p>Shape time: 0.100 s</p> <p>Stop mode: Coast</p> <p><input checked="" type="checkbox"/> Use two ramp sets</p> <p>Back 16:02 <b>Edit</b></p>

## 2 – Additional settings: Limits

<input type="checkbox"/> Select <b>Limits</b> and press  ( <b>Select</b> ) (or  ).	<div style="border: 1px solid black; padding: 5px;"> <div style="display: flex; justify-content: space-between; border-bottom: 1px solid black;"> <span>Local </span> <span>ACS580</span> <span>0.0 Hz</span> </div> <p><b>Primary settings</b></p> <ul style="list-style-type: none"> <li> Macro: ABB standard</li> <li>Motor <span style="float: right;"></span></li> <li>Start, stop, reference <span style="float: right;"></span></li> <li>Ramps <span style="float: right;"></span></li> <li><b>Limits</b> <span style="float: right;"></span></li> </ul> <div style="display: flex; justify-content: space-between; border-top: 1px solid black; border-bottom: 1px solid black;"> <span><b>Back</b></span> <span>16:02</span> <span><b>Select</b></span> </div> </div>
<input type="checkbox"/> Adjust the parameters according to your needs. Select a parameter and press  ( <b>Edit</b> ). After making the adjustments, go back to the <b>Primary settings</b> menu by pressing  ( <b>Back</b> ).	<div style="border: 1px solid black; padding: 5px;"> <div style="display: flex; justify-content: space-between; border-bottom: 1px solid black;"> <span>Local </span> <span>ACS580</span> <span>0.0 Hz</span> </div> <p><b>Limits</b></p> <ul style="list-style-type: none"> <li>Minimum frequency: -50.00 Hz</li> <li>Maximum frequency: 50.00 Hz</li> <li>Maximum current: 3.24 A</li> </ul> <div style="display: flex; justify-content: space-between; border-top: 1px solid black; border-bottom: 1px solid black;"> <span><b>Back</b></span> <span>16:03</span> <span><b>Edit</b></span> </div> </div>

R1-  
R4

R5

R6-  
R9

R1-  
R4

R5

R6-  
R9



*[Page intentionally left blank]*

---

# Compliance with the European Machinery Directive 2006/42/EC

## Declaration of conformity



### EU Declaration of Conformity

(According to Machinery Directive 2006/42/EC)

R1-  
R4

R5

R6-  
R9

We

Manufacturer: ABB Oy, Drives  
Address: Hlomotie 13, P.O Box 184, 00381 Helsinki, Finland.

hereby declare that the product

**ACS580-01 (frame sizes R0, R1, R2, R3, R4, R5, R6, R7, R8 and R9)**

with regard to the following safety function

**Safe torque off**

fulfils all the relevant safety component requirements of EC Machinery Directive 2006/42/EC, when the listed safety function is used for safety component functionality.

The following harmonized standards below were used:

EN 61800-5-2: 2007	<i>Adjustable speed electrical power drive systems – Part 5-2: Safety requirements - Functional</i>
EN 62061: 2015	<i>Safety of machinery – Functional safety of safety-related electrical, electronic and programmable electronic control systems</i>
EN ISO 13849-1: 2008 + AC: 2009	<i>Safety of machinery – Safety-related parts of control systems. Part 1 General requirements</i>
EN ISO 13849-2: 2012	<i>Safety of machinery – Safety-related parts of the control systems Part 2: Validation</i>
EN 60204-1:2006 + A1:2009 + AC:2010	<i>Safety of machinery – Electrical equipment of machines – Part 1 General requirements</i>

Other used standards:

IEC 61508 ed. 2: 2010	<i>Functional safety of electrical / electronic / programmable electronic safety-related systems</i>
-----------------------	--

The products referred in this Declaration of Conformity fulfil the relevant provisions of the Low Voltage Directive 2006/95/EC and EMC Directive 2004/108/EC. Declaration of conformity according to these directives is available from the manufacturer.

Person authorized to compile the technical file:

Name: Risto Mynttinen  
Address: P.O. Box 184, FIN-00381 Helsinki, Finland

Helsinki, 2016-02-15

Tuomo Hyytiäinen  
Vice President  
ABB Oy

R1-  
R4

R5

R6-  
R9

*[Page intentionally left blank]*

---



ABB general purpose drives

# Quick installation guide

## ACS580-01 drives

### Installation figures

R1-  
R4

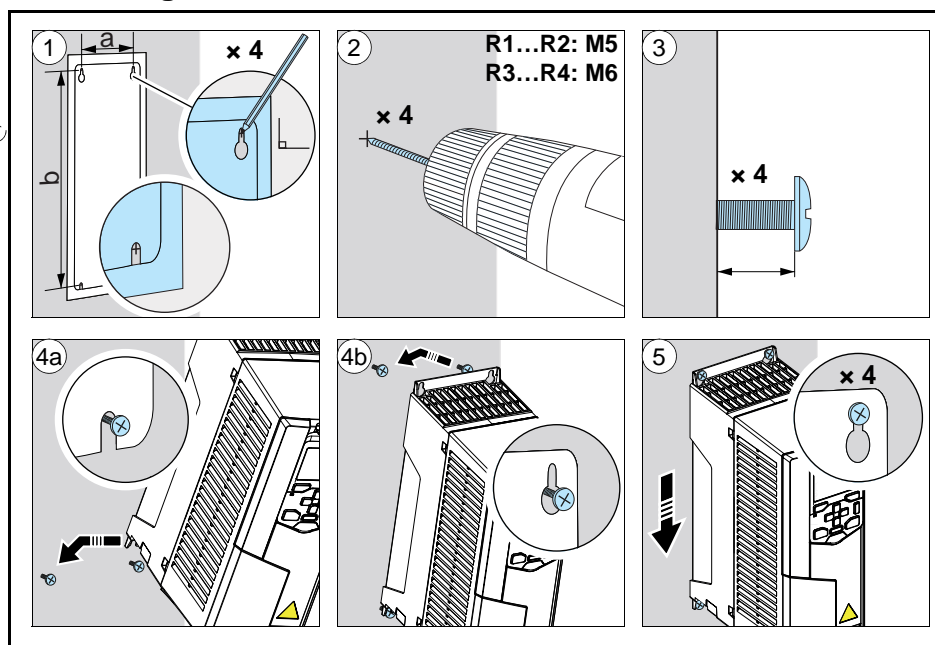
R5

R6-  
R9

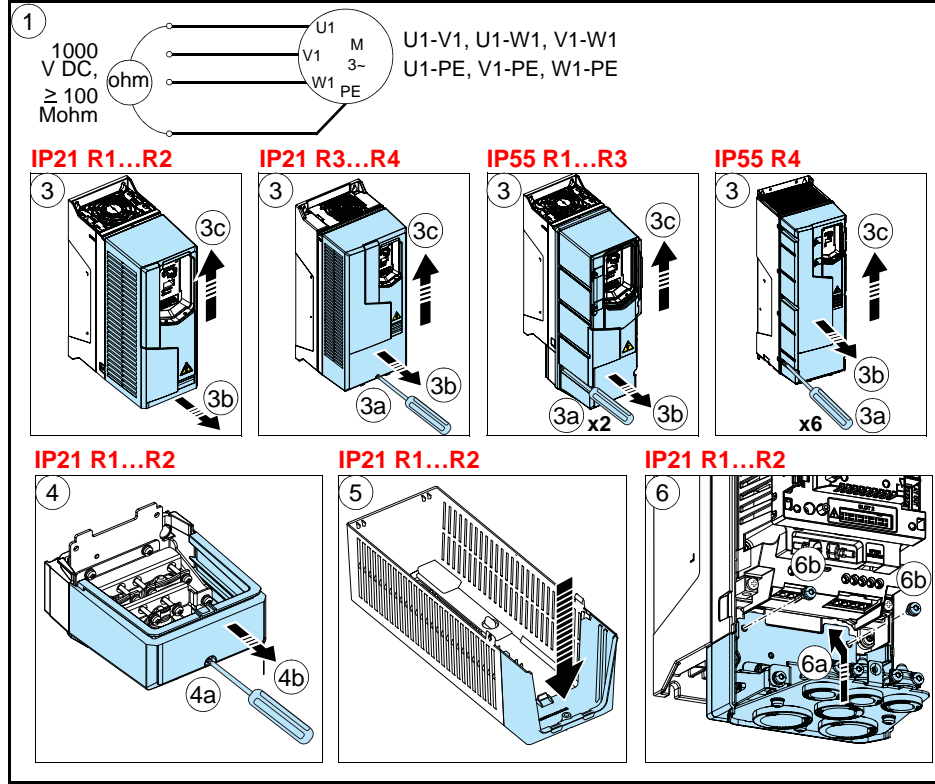


*[Page intentionally left blank]*

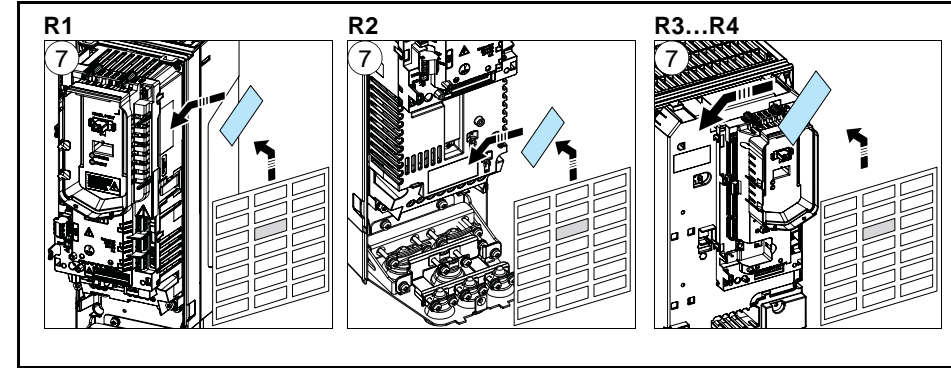
### R1...R4 Figures A



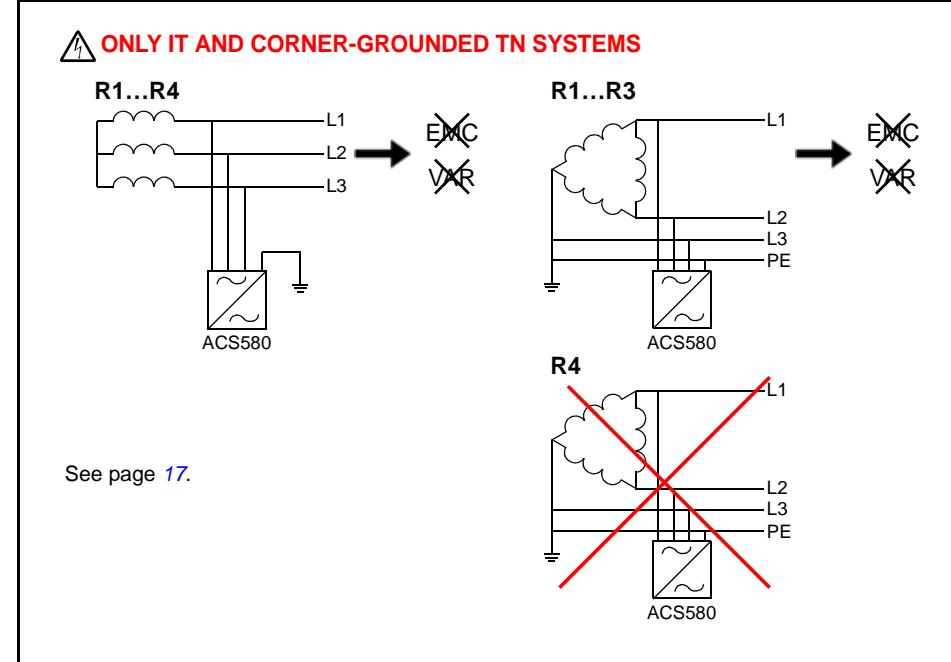
### B1



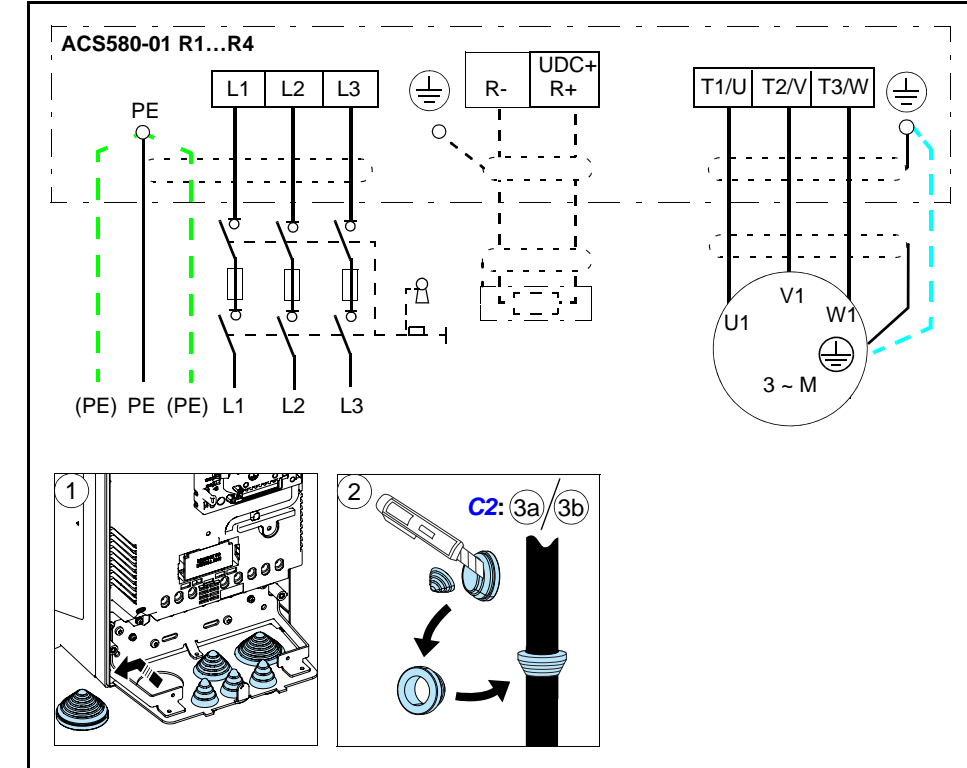
### B2



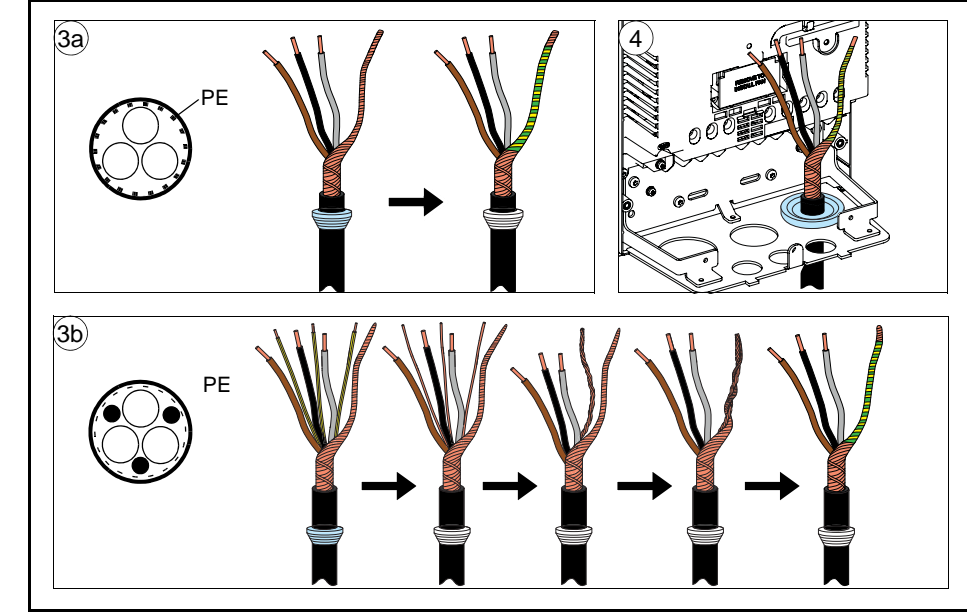
### B3



### C1



### C2



**D**

**R1...R2**

**R3**

**R4**

Frame size	R1		R2	
	N-m	lbf-ft	N-m	lbf-ft
T1/U, T2/V, T3/W	0.5...0.6	0.4	1.2...1.5	1.1
PE, ⊕	1.5	1.1	1.5	1.1
	1.2	0.9	1.2	0.9

Frame size	R3		R4	
	N-m	lbf-ft	N-m	lbf-ft
T1/U, T2/V, T3/W	2.5...4.5	3.3	4.0	3.0
PE, ⊕	1.5	1.1	2.9	2.1
	1.2	0.9	1.2	0.9

**E1**

6a

6b

6c

**E2**

**R1...R2**

**R3**

**R4**

Frame size	R1		R2	
	N-m	lbf-ft	N-m	lbf-ft
L1, L2, L3	0.5...0.6	0.4	1.2...1.5	1.1
PE, ⊕	1.5	1.1	1.5	1.1
	1.2	0.9	1.2	0.9

Frame size	R3		R4	
	N-m	lbf-ft	N-m	lbf-ft
L1, L2, L3	2.5...4.5	3.3	4.0	3.0
PE, ⊕	1.5	1.1	2.9	2.1
	1.2	0.9	1.2	0.9

**F**

**R1...R2**

**R4**

**G1**

9

**G2**

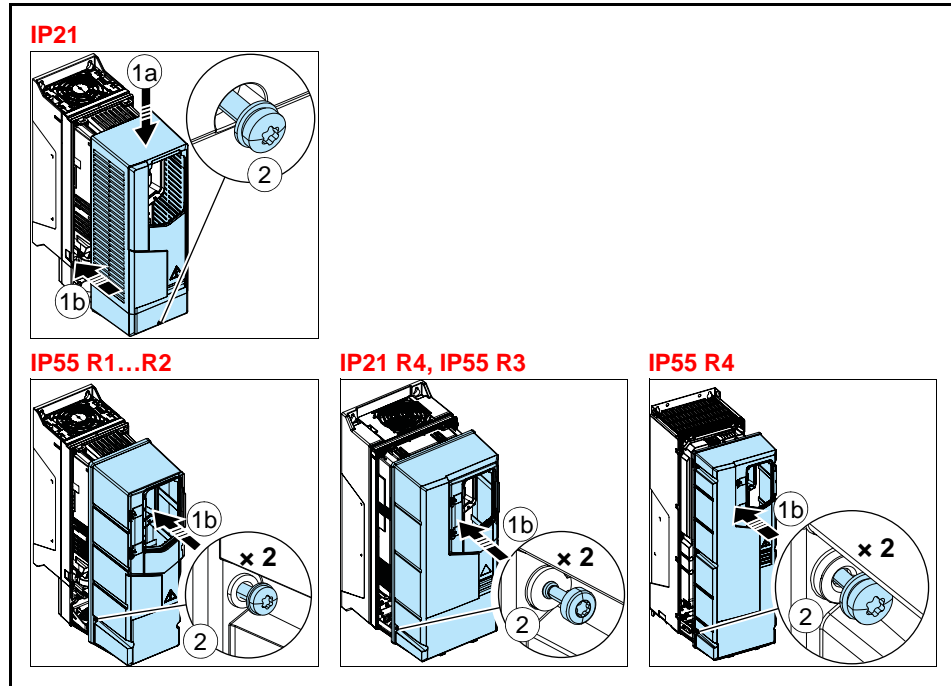
**R1...R2**

**R3**

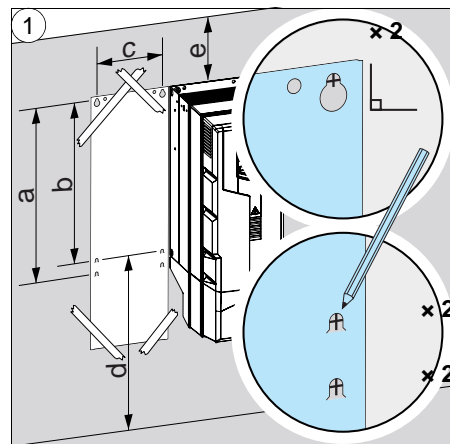
Frame size	R1		R2		R3	
	N-m	lbf-ft	N-m	lbf-ft	N-m	lbf-ft
R-, R+	0.5...0.6	0.4	1.2...1.5	1.1	2.5...4.5	3.3
PE, ⊕	1.5	1.1	1.5	1.1	1.5	1.1
	1.2	0.9	1.2	0.9	1.2	0.9



J

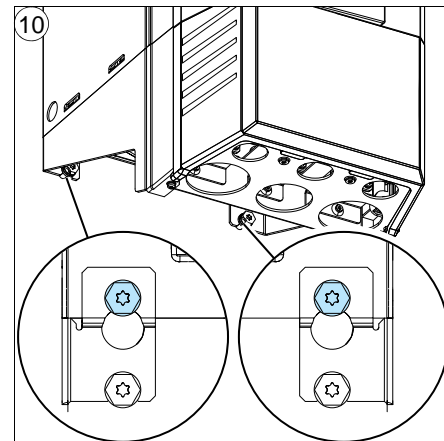
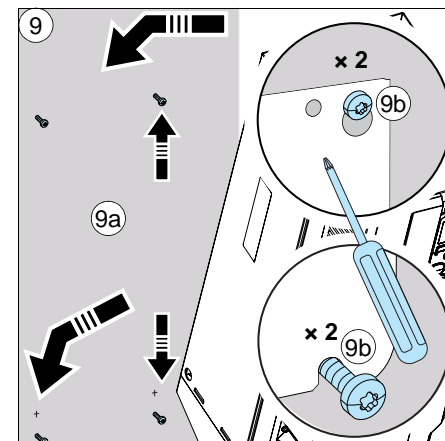
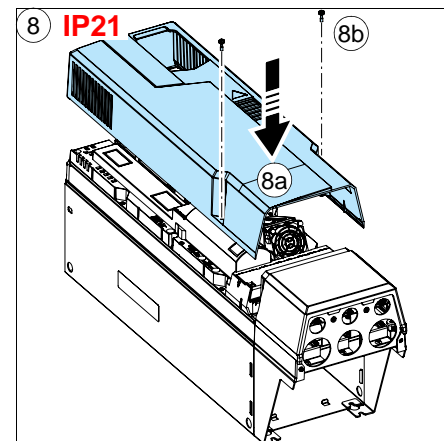
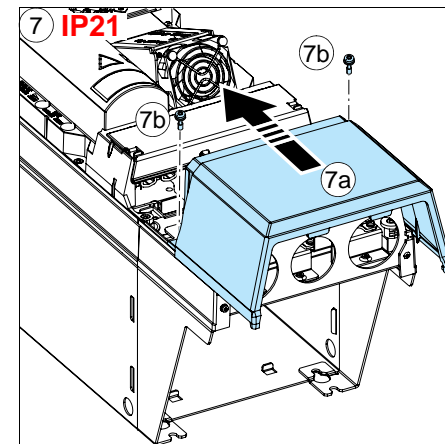
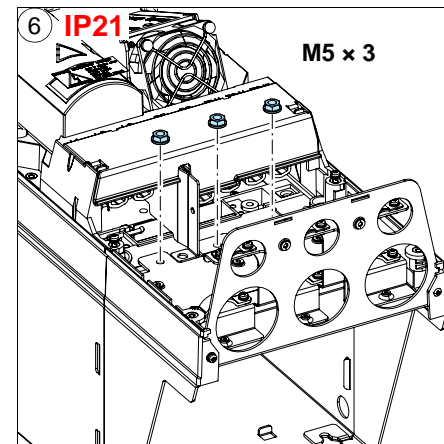
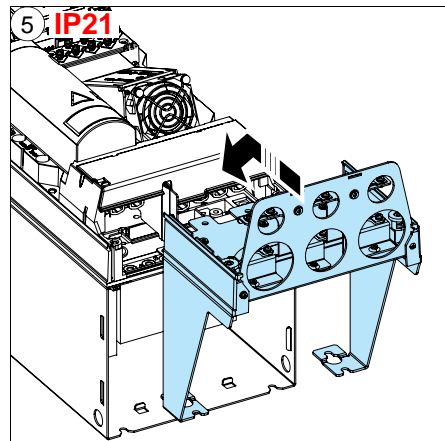
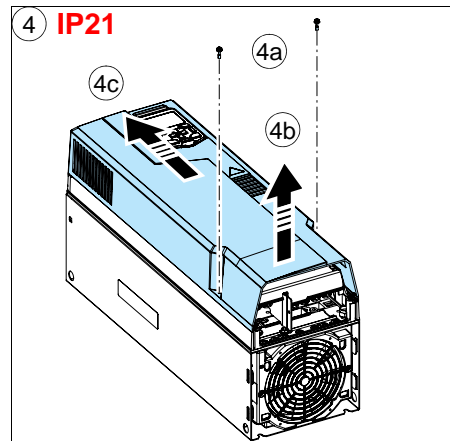
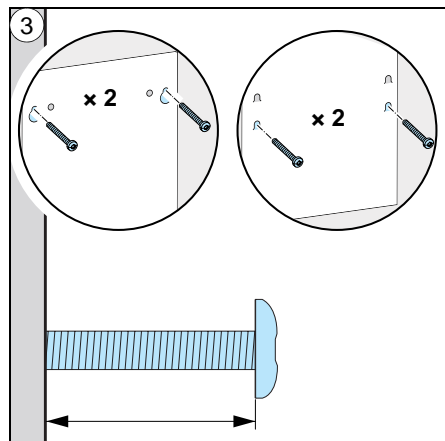
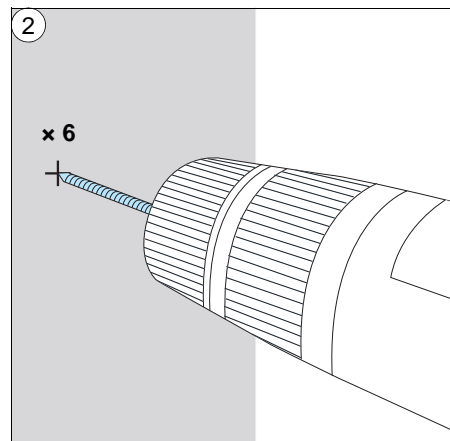


R5 Figures A

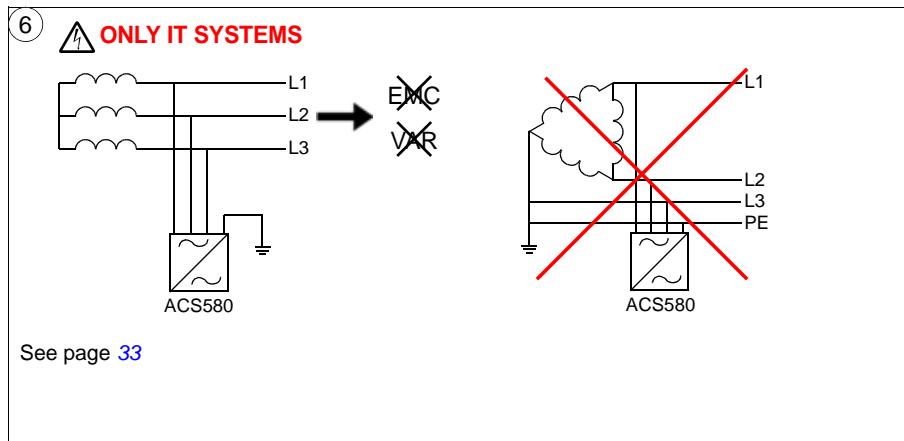
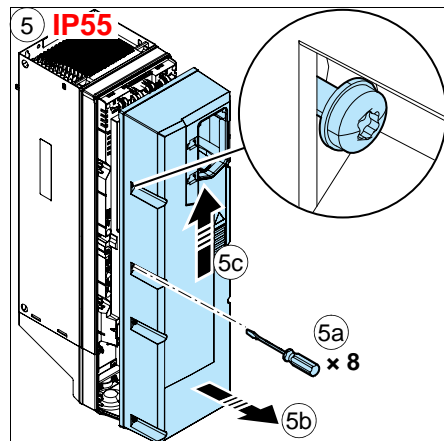
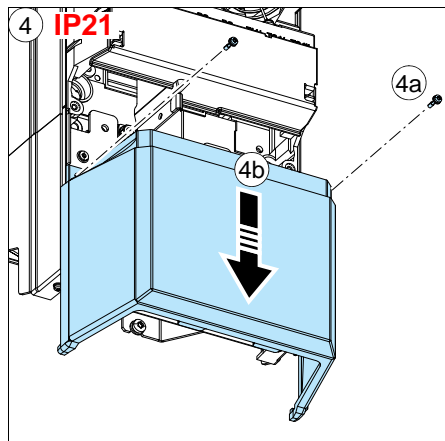
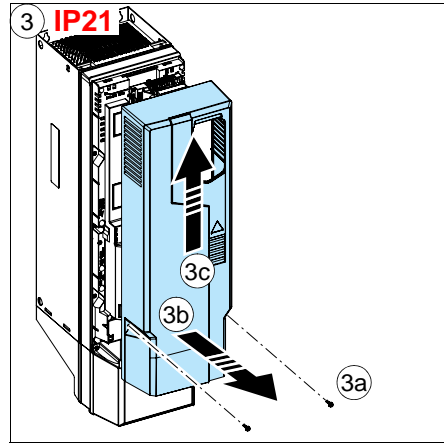
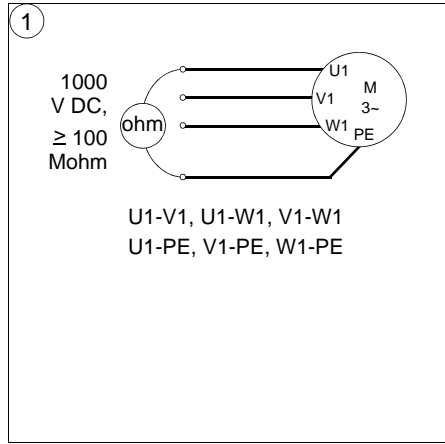


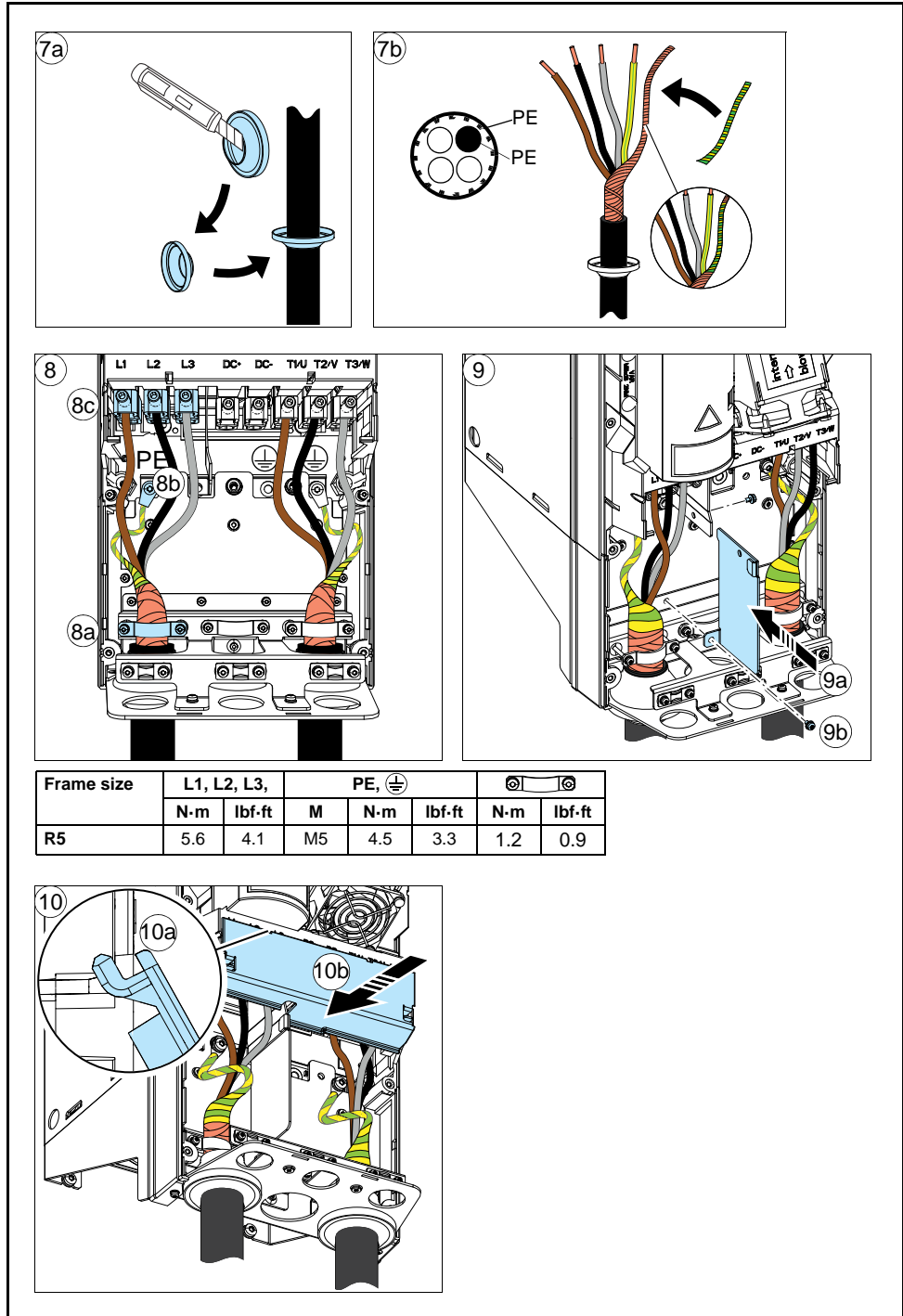
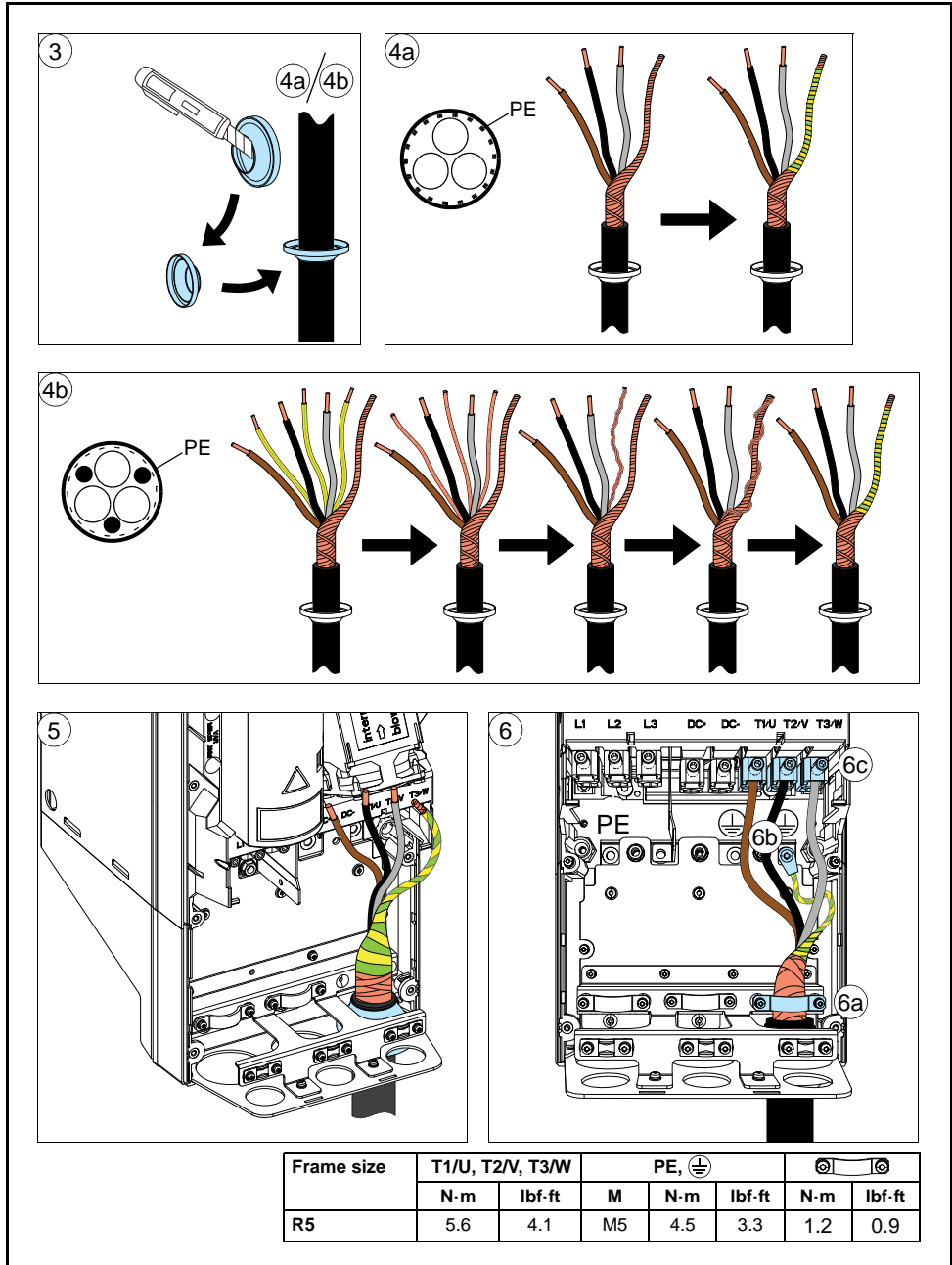
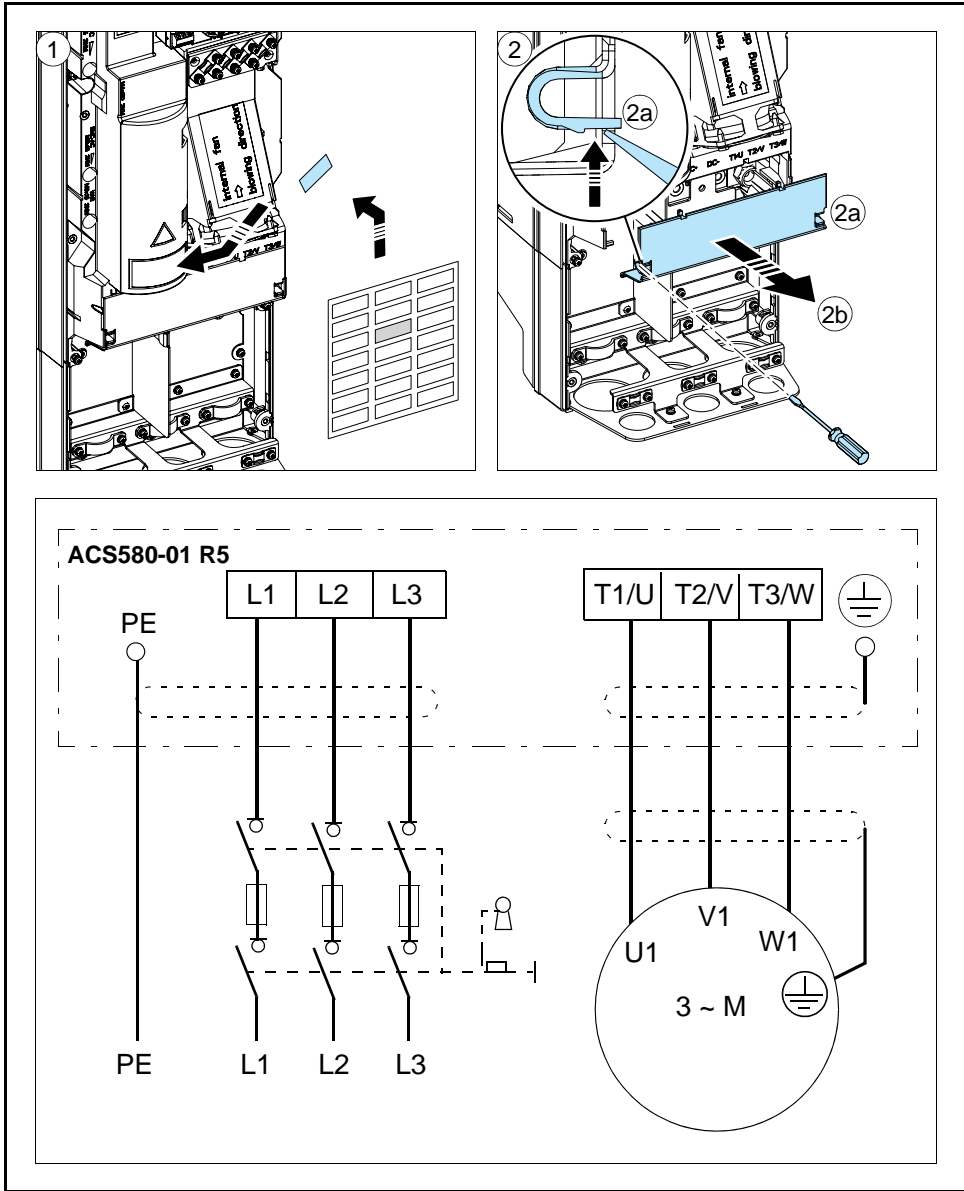
	R5 IP21		R5 IP55	
	mm	in	mm	in
a	612	24.09	612	24.09
b	581	22.87	581	22.87
c	160	6.30	160	6.30
d >	200	7.9	200	7.9
e >	200	7.9	200	7.9

⚠	R5 IP21		R5 IP55	
	kg	lb	kg	lb
	28.3	62.4	28.6	63.1



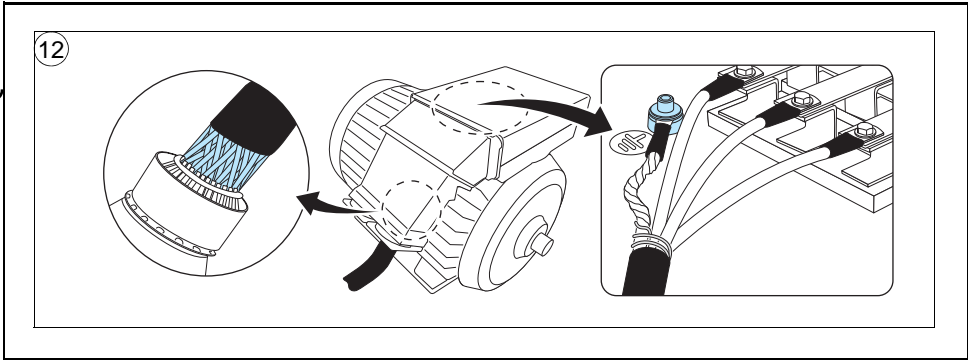
B



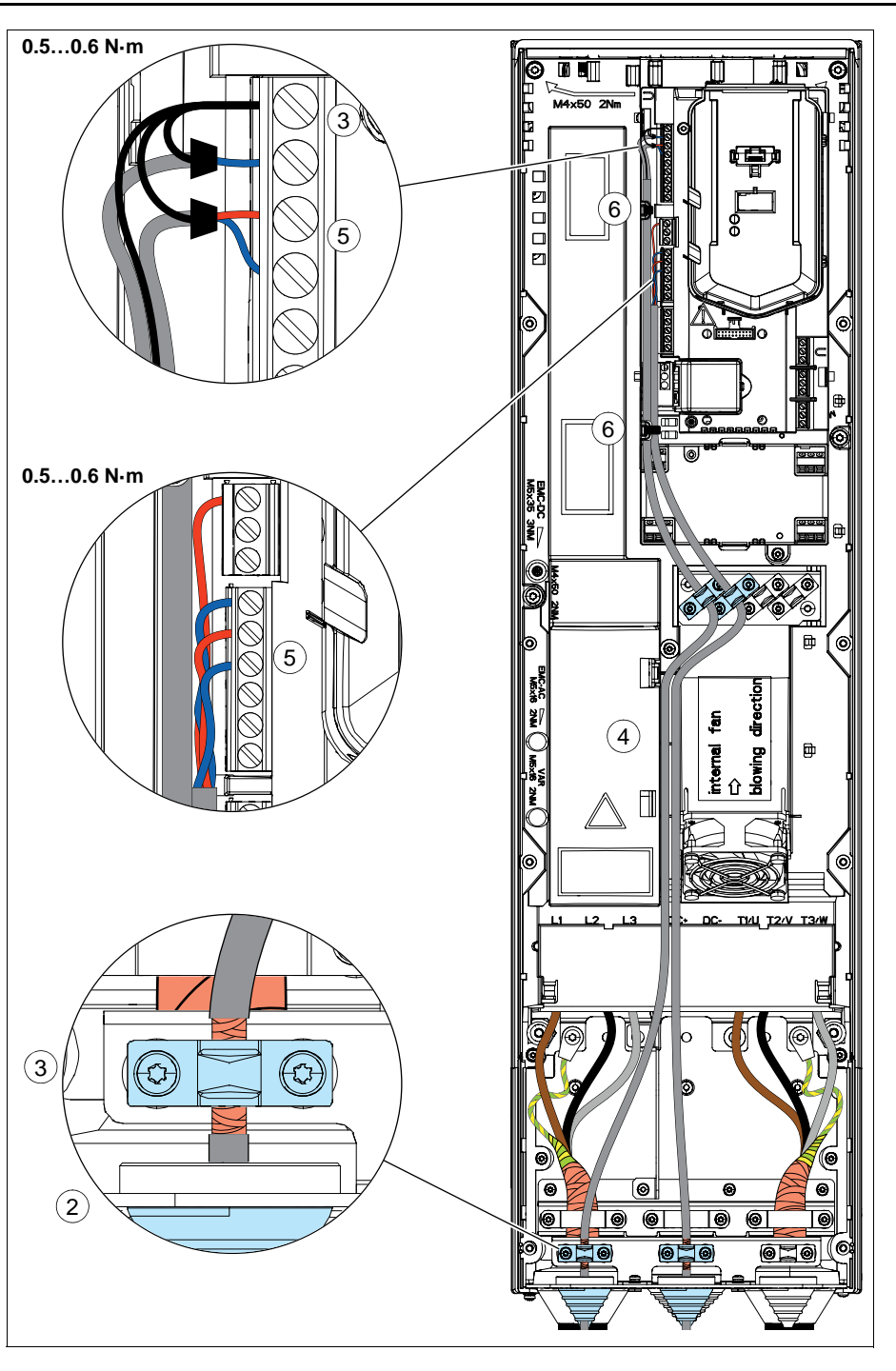




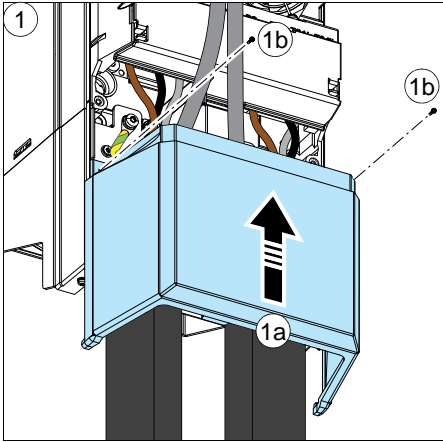
R5 Figures F



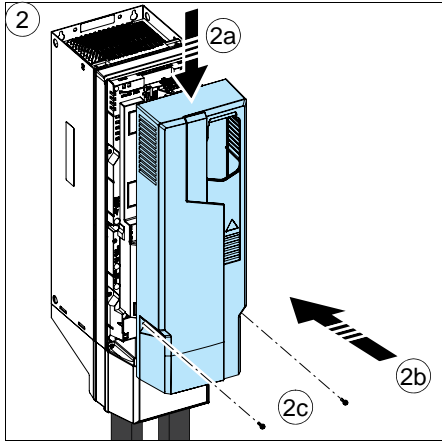
G



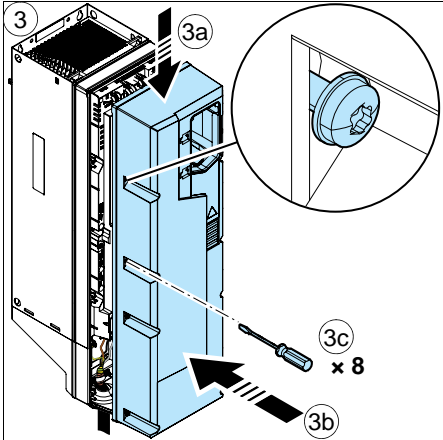
**IP21**



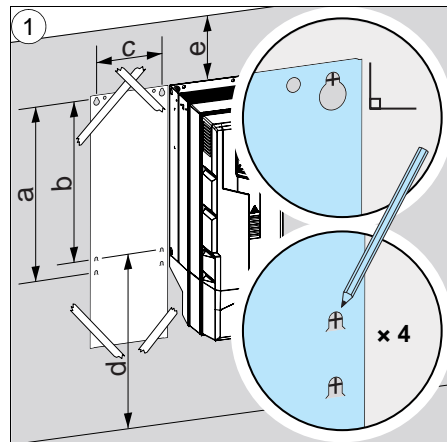
**IP21**



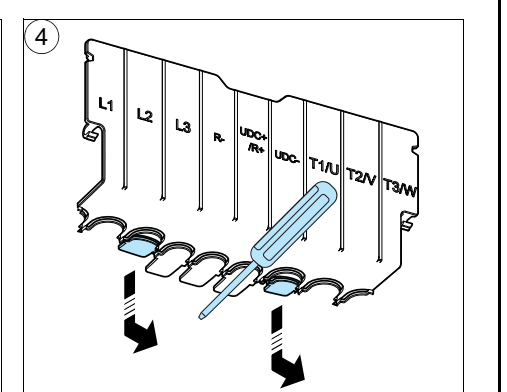
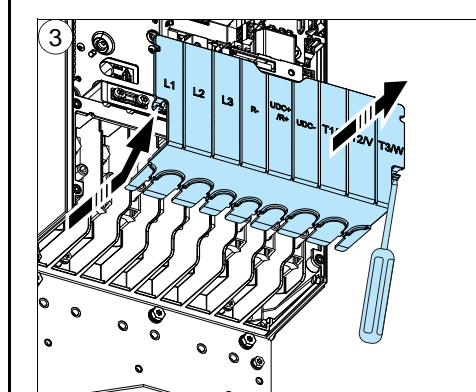
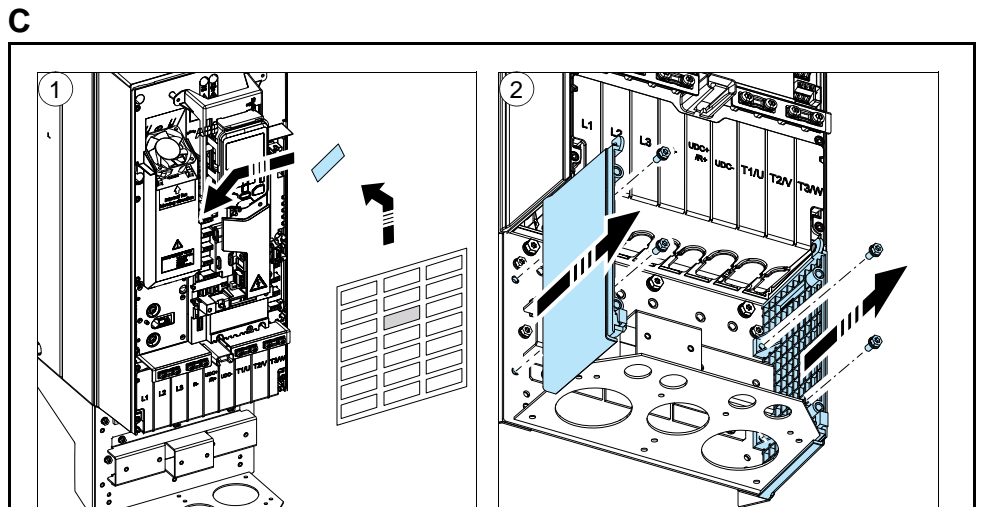
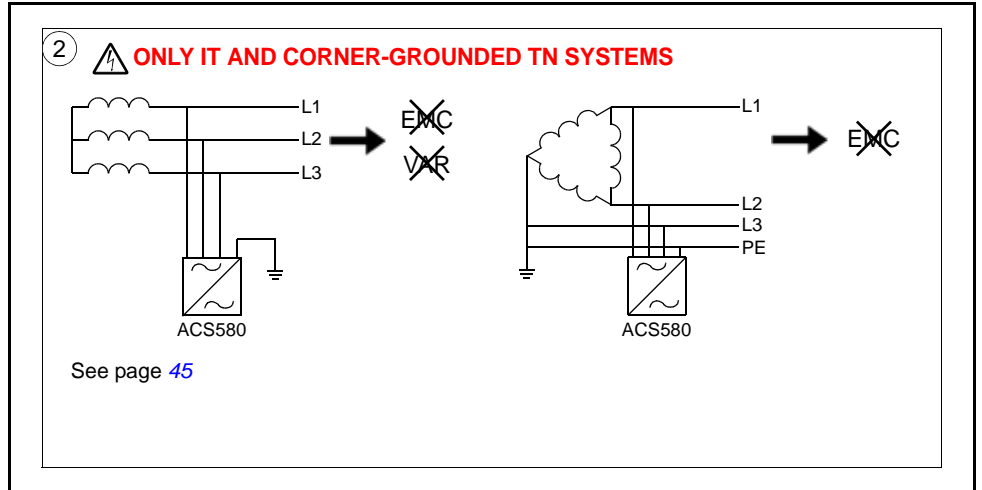
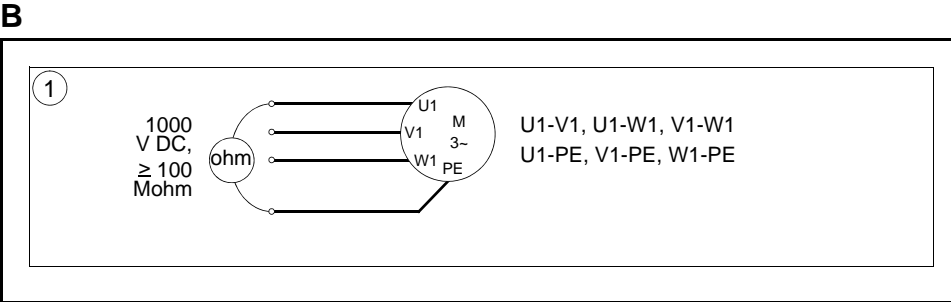
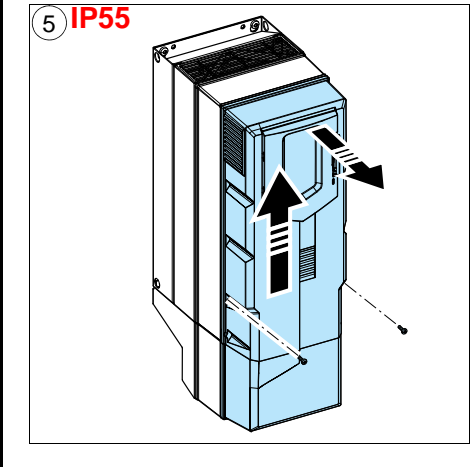
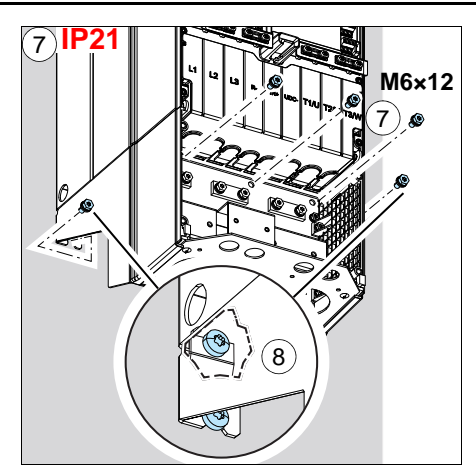
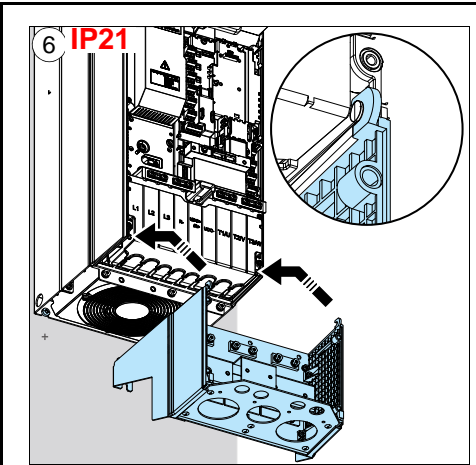
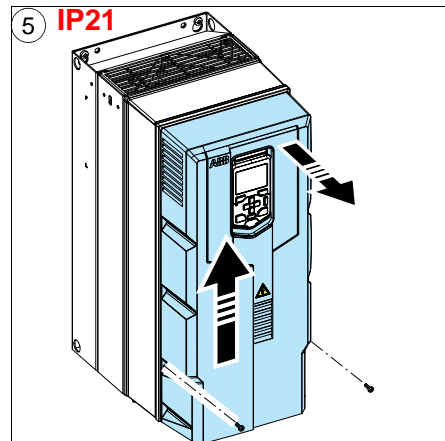
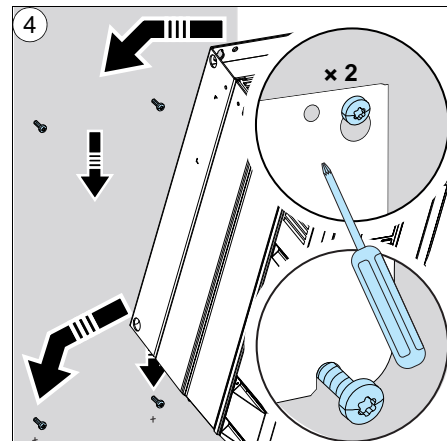
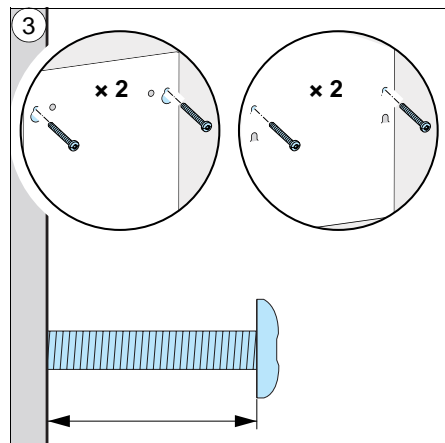
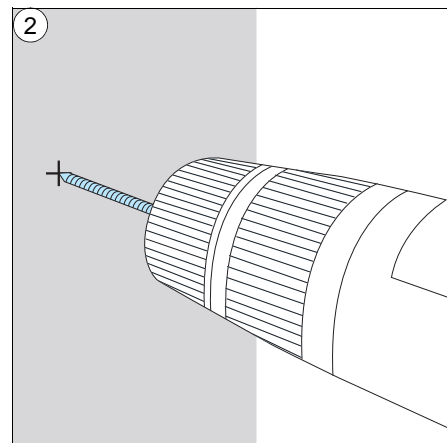
**IP55**

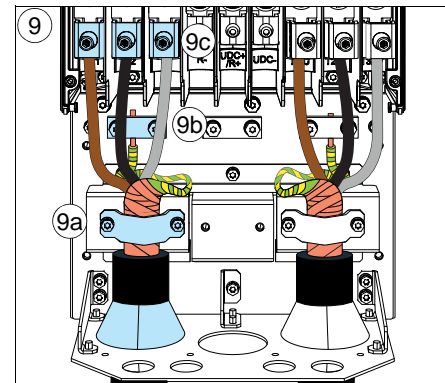
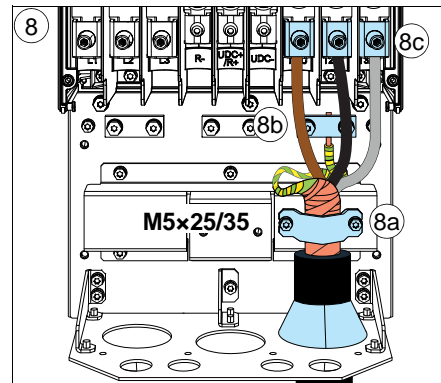
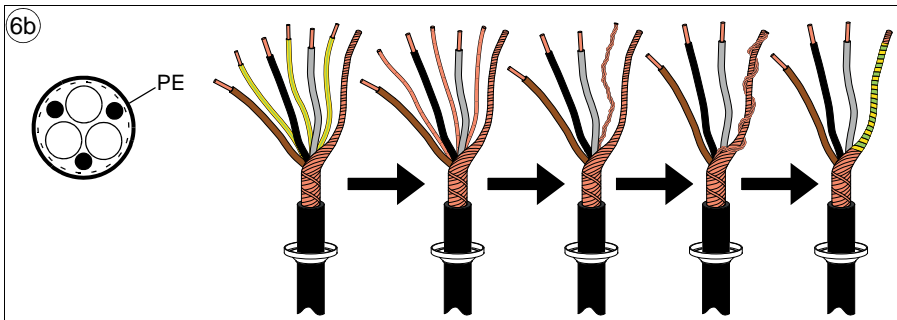
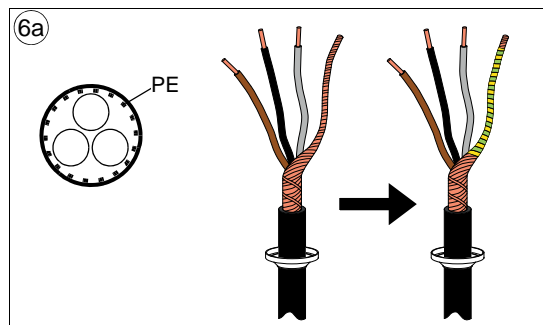
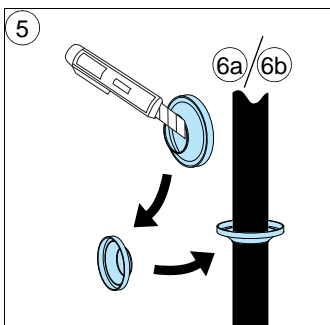
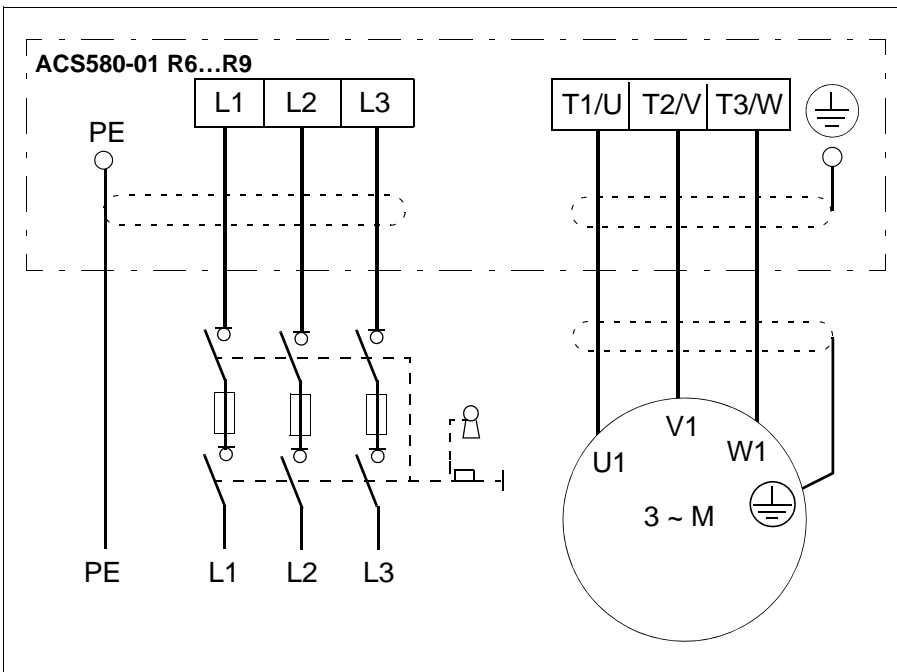


R6...R9 Figures A



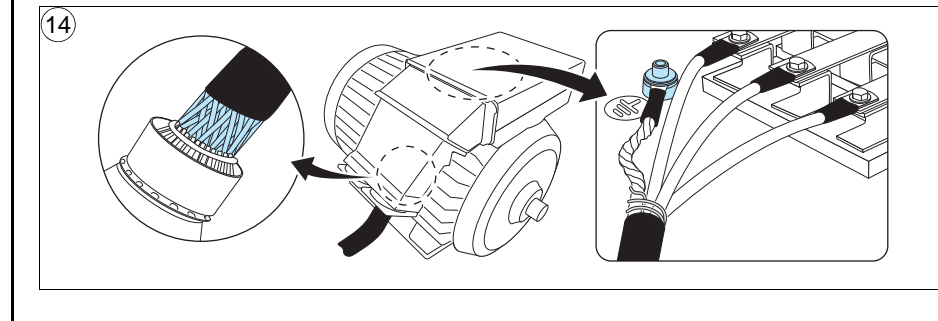
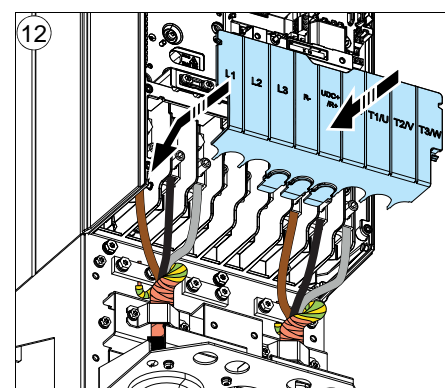
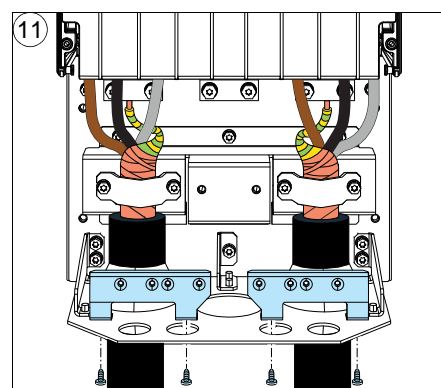
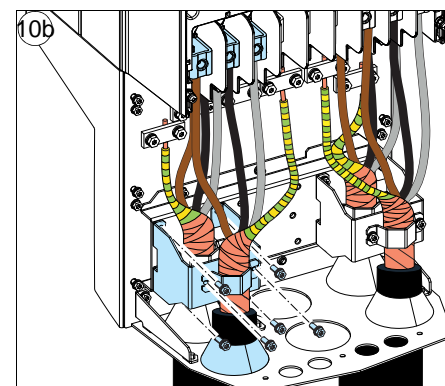
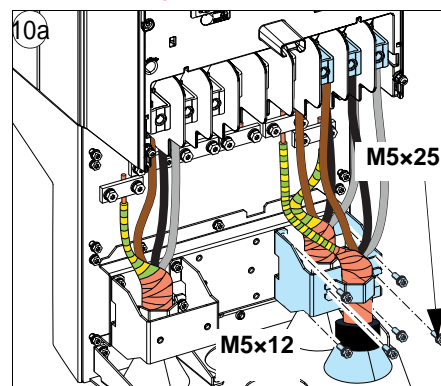
	R6	R7	R8	R9
<b>a</b> (mm/in)	571/ 22.5	623/ 24.5	701/ 27.6	718/ 28.3
<b>b</b> (mm/in)	531/ 20.9	583/ 22.9	658/ 25.9	658/ 25.9
<b>c</b> (mm/in)	213/ 8.4	245/ 9.7	263/ 10.4	345/ 13.6
<b>d &gt;</b> (mm/in)	300/ 11.8	300/ 11.8	300/ 11.8	300/ 11.8
<b>e &gt;</b> (mm/in)	200/ 7.9	200/ 7.9	200/ 7.9	200/ 7.9
<b>kg/lb</b>	<b>IP21</b>	<b>IP21</b>	<b>IP21</b>	<b>IP21</b>
	42/93	54/119	69/152	97/214
	<b>IP55</b>	<b>IP55</b>	<b>IP55</b>	<b>IP55</b>
	43/95	56/124	77/170	103/227



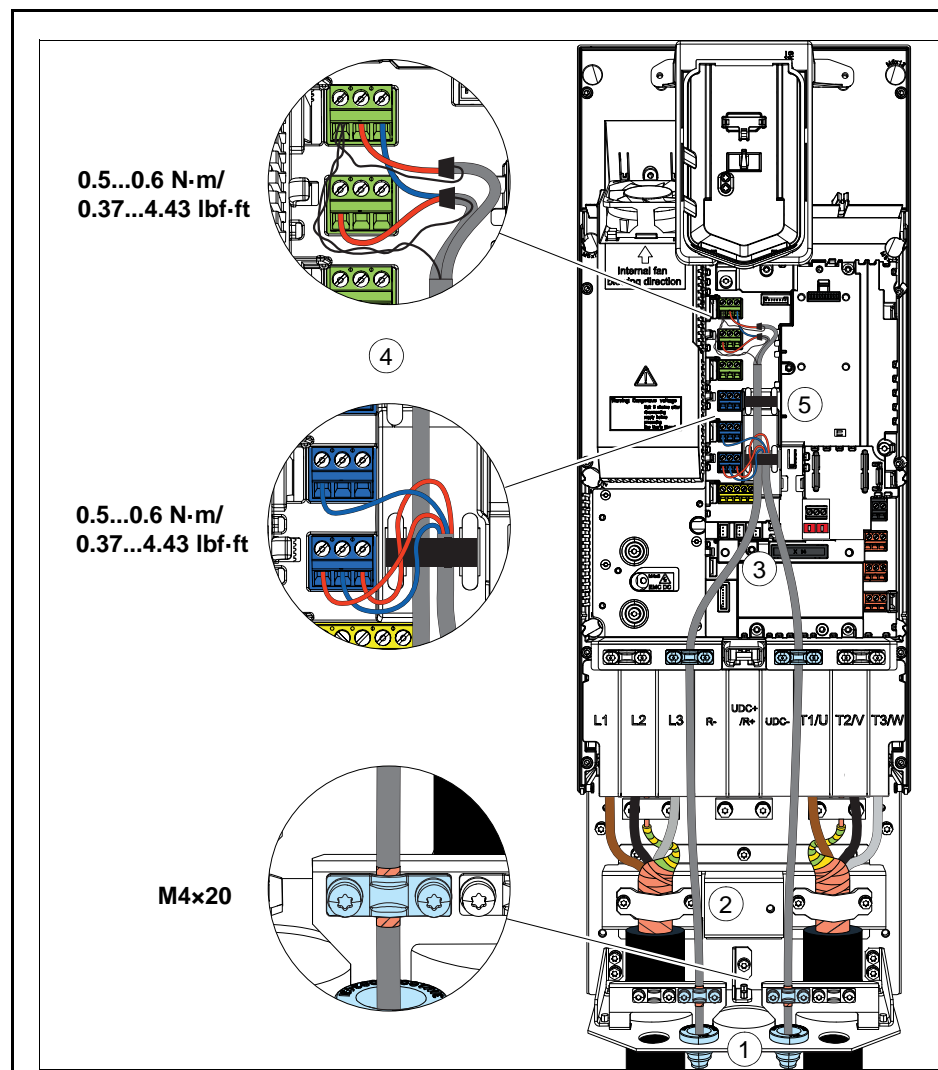


	R6		R7		R8		R9	
L1, L2, L3, T1/U, T2/V, T3/W	N-m	lbf-ft	N-m	lbf-ft	N-m	lbf-ft	N-m	lbf-ft
PE	10	7	10	7	10	7	10	7

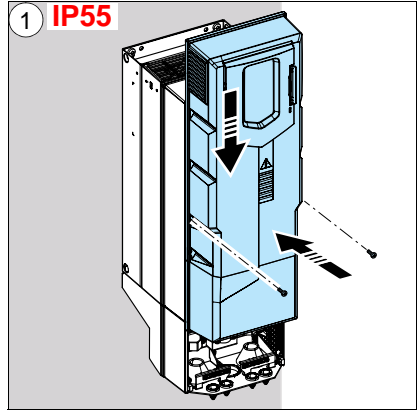
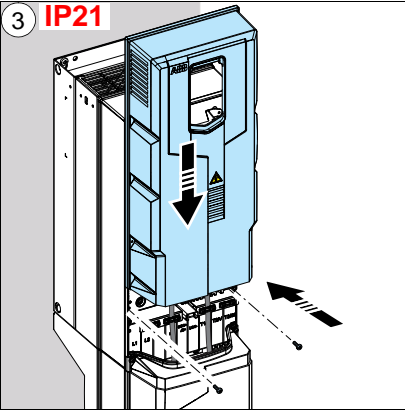
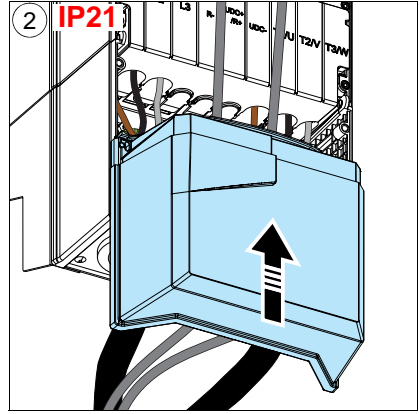
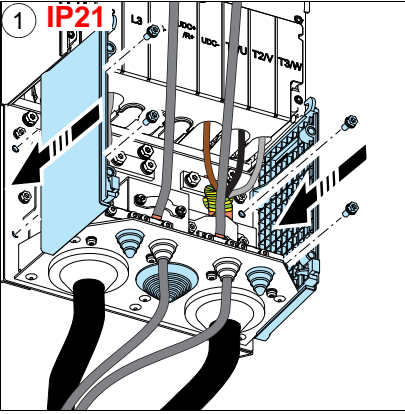
**R8...R9 only**



**D**



## R6...R9 Figures E



*[Page intentionally left blank]*

---

## Further information

### Product and service inquiries

Address any inquiries about the product to your local ABB representative, quoting the type designation and serial number of the unit in question. A listing of ABB sales, support and service contacts can be found by navigating to [www.abb.com/searchchannels](http://www.abb.com/searchchannels).

### Product training

For information on ABB product training, navigate to [new.abb.com/service/training](http://new.abb.com/service/training).

### Providing feedback on ABB Drives manuals

Your comments on our manuals are welcome. Navigate to [new.abb.com/drives/manuals-feedback-form](http://new.abb.com/drives/manuals-feedback-form).

### Document library on the Internet

You can find manuals and other product documents in PDF format on the Internet at [www.abb.com/drives/documents](http://www.abb.com/drives/documents).

Contact us

[www.abb.com/drives](http://www.abb.com/drives)

3AXD500000009286 REVE 11/15/2017