

Compact Product Suite Panel 800 Version 6 PP877K Hardware and Installation

Panel 800 Version 6 - PP877K

Hardware and Installation

NOTICE

This document contains information about one or more ABB products and may include a description of or a reference to one or more standards that may be generally relevant to the ABB products. The presence of any such description of a standard or reference to a standard is not a representation that all of the ABB products referenced in this document support all of the features of the described or referenced standard. In order to determine the specific features supported by a particular ABB product, the reader should consult the product specifications for the particular ABB product.

ABB may have one or more patents or pending patent applications protecting the intellectual property in the ABB products described in this document.

The information in this document is subject to change without notice and should not be construed as a commitment by ABB. ABB assumes no responsibility for any errors that may appear in this document.

Products described or referenced in this document are designed to be connected, and to communicate information and data via a secure network. It is the sole responsibility of the system/product owner to provide and continuously ensure a secure connection between the product and the system network and/or any other networks that may be connected.

The system/product owners must establish and maintain appropriate measures, including, but not limited to, the installation of firewalls, application of authentication measures, encryption of data, installation of antivirus programs, and so on, to protect the system, its products and networks, against security breaches, unauthorized access, interference, intrusion, leakage, and/or theft of data or information.

ABB verifies the function of released products and updates. However system/product owners are ultimately responsible to ensure that any system update (including but not limited to code changes, configuration file changes, third-party software updates or patches, hardware change out, and so on) is compatible with the security measures implemented. The system/product owners must verify that the system and associated products function as expected in the environment they are deployed.

In no event shall ABB be liable for direct, indirect, special, incidental or consequential damages of any nature or kind arising from the use of this document, nor shall ABB be liable for incidental or consequential damages arising from use of any software or hardware described in this document.

This document and parts thereof must not be reproduced or copied without written permission from ABB, and the contents thereof must not be imparted to a third party nor used for any unauthorized purpose.

The software or hardware described in this document is furnished under a license and may be used, copied, or disclosed only in accordance with the terms of such license. This product meets the requirements specified in EMC Directive 2014/30/EU and in Low Voltage Directive 2014/35/EU.

TRADEMARKS

All rights to copyrights, registered trademarks, and trademarks reside with their respective owners.

Copyright © 2015–2016 ABB.
All rights reserved.

Release: December 2016
Document number: 3BSE069461-600 Rev B

CONTENTS

Section 1 - Introduction

| | |
|--|----|
| General | 9 |
| Warning, Caution, Information, and Tip Icons | 10 |

Section 2 - Safety Precautions

| | |
|--|----|
| General | 11 |
| Disposal Requirements Under WEEE Regulations | 12 |
| UL and cUL Installation | 12 |
| During Installation | 14 |
| During Use | 14 |
| Service and Maintenance | 15 |
| Dismantling and Scrapping | 15 |

Section 3 - Installation

| | |
|---|----|
| Space Requirements | 17 |
| Installation Process | 18 |
| Connections to the Controller | 20 |
| Other Connections and Peripherals | 20 |

Section 4 - Technical Data

Section 5 - Chemical Resistance

| | |
|---|----|
| Metal Casing | 25 |
| Screen and Overlay Material | 27 |
| Autotex F150 | 27 |
| Screen Surface | 28 |
| Screen and Keyboard Protection Film | 28 |

Section 6 - Operator Panel Drawings

| | |
|---------------------------|----|
| Connectors | 29 |
| Communication Ports | 30 |
| PP877K Outline | 31 |

Section 7 - Additional Installation Tips

| | |
|---|----|
| Grounding the operator panel | 33 |
| Ethernet Connection in the Operator Panel | 35 |
| To Achieve Better EMC Protection | 37 |
| Ambient Temperature | 38 |
| Safety | 40 |
| Galvanic Isolation | 41 |
| Cable and Bus Termination RS485 | 42 |

Section 8 - Keypad Function

| | |
|--------------|----|
| Keypad | 45 |
|--------------|----|

Section 1 Introduction

General

All Panel 800 Version 6 are developed to satisfy the demands of human-machine communication. Built-in functions such as displaying and controlling text, dynamic indication, time channels, alarm and recipe handling are included.

The Panel 800 Version 6 works primarily in an object-oriented way, making it easy to understand and use. Configuration is carried out on a PC using the Panel Builder configuration tool. The project can then be transferred and stored in the operator panel itself.






Various types of automation equipment such as PLCs, servos or drives can be connected to the Panel 800 Version 6. In this manual, the term “the controller” refers to the connected equipment.

This manual explains how to install the operator panel. Please refer to the Panel Builder **Programming and Installation** manual for further information.

| Description | User Documentation |
|---------------------------|----------------------|
| Initial release of PP877K | 3BSE069461-600 |
| Updated UL information | 3BSE069461-600 Rev B |

Warning, Caution, Information, and Tip Icons

This publication includes Warning, Caution, and Information where appropriate to point out safety related or other important information. It also includes Tip to point out useful hints to the reader. The corresponding symbols should be interpreted as follows:

| | |
|---|--|
|  | Electrical warning icon indicates the presence of a hazard which could result in electrical shock. |
|  | Warning icon indicates the presence of a hazard which could result in personal injury. |
|  | Caution icon indicates important information or warning related to the concept discussed in the text. It might indicate the presence of a hazard which could result in corruption of software or damage to equipment/property. |
|  | Information icon alerts the reader to pertinent facts and conditions. |
|  | Tip icon indicates advice on, for example, how to design your project or how to use a certain function. |

Although **Warning** hazards are related to personal injury, and **Caution** hazards are associated with equipment or property damage, it should be understood that operation of damaged equipment could, under certain operational conditions, result in degraded process performance leading to personal injury or death. Therefore, **fully comply** with all **Warning** and **Caution** notices.

Section 2 Safety Precautions

Both the installer and the owner and/or operator of the operator panel must read and understand this installation manual.

General

- Read the safety precautions carefully.
- Check the delivery for transportation damage. If damage is found, notify the supplier as soon as possible.
- The supplier is not responsible for modified, altered or reconstructed equipment.
- Use only parts and accessories manufactured according to specifications of the supplier.
- Read the installation and operating instructions carefully before installing, using or repairing the operator panel.
- Never allow fluids, metal filings or wiring debris to enter any openings in the operator panel. This may cause fire or electrical shock.
- Only qualified personnel may operate the operator panel.
- Storing the operator panel where the temperature is lower/higher than recommended in this manual can cause the LCD display liquid to congeal/become isotopic.
- The LCD display liquid contains a powerful irritant. In case of skin contact, wash immediately with plenty of water. In case of eye contact, hold the eye open, flush with plenty of water and get medical attention.
- The figures in this manual serves an illustrative purpose. Because of the many variables associated with any particular installation, the supplier cannot assume responsibility for actual use based on the figures.

- The supplier neither guarantees that the operator panel is suitable for your particular application, nor assumes responsibility for your product design, installation or operation.
- It is recommended to turn on and shut down the operator panel at least once before installing any components/cards or before connecting the operator panel to external devices, like for example serial devices.

Disposal Requirements Under WEEE Regulations

For professional users in the European Union: If you wish to discard electrical and electronic equipment (EEE), please contact your dealer or supplier for further information.

For disposal in countries outside of the European Union: If you wish to discard this product please contact your local authorities or dealer and ask for the correct method of disposal.

UL and cUL Installation



This section is only valid for UL labeled PP877K panels.

- This equipment is suitable for use in Class 2 non-hazardous locations only. [Combinations of equipment in your system are subject to investigation by the local authority having jurisdiction at the time of installation].
- All devices have to be supplied by a Class 2 power supply.



Do not separate when energized.

AVERTISSEMENT, NE PAS SEPARER SOUS TENSION.



Only UL and cUL approved expansion units are allowed to be connected to the port designated “EXPANSION”. At the moment there are no such units evaluated or allowed.

SEULES LES UNITÉS D'EXTENSION CERTIFIÉES UL ET cUL PEUVENT ÊTRE RACCORDÉES AU PORT DÉSIGNÉ « EXPANSION ». À L'HEURE ACTUELLE, AUCUNE UNITÉ DE CE TYPE N'A ÉTÉ TESTÉE OU AUTORISÉE.



Do not replace expansion unit unless power has been switched off or the area is known to be non-hazardous.

NE REMPLACEZ L'UNITÉ D'EXTENSION QUE SI LE COURANT A ÉTÉ COUPÉ OU SI LA ZONE EST JUGÉE NON DANGEREUSE.

- This product contains a battery; this must only be changed in an area known to be non-hazardous.
- Replace the battery with a BR 2032 battery. Use of another type of battery may present a risk of fire or explosion.



Battery may explode if mistreated. Do not recharge, disassemble or dispose of in fire.

LA BATTERIE PEUT EXPLOSER EN CAS DE MAUVAISE MANIPULATION. NE LA RECHARGEZ PAS, NE LA DÉMONTÉZ PAS ET NE LA JETÉZ PAS DANS LE FEU.

- For use on a flat surface of a type 4X enclosure indoor use only.
- Use minimum 75°C copper conductors only.
- To make wiring connections to the power supply connector, follow the table with cable and torque specifications below:

| Terminal Block Connector | Wire Size | TQ |
|----------------------------|-----------|------------|
| X1/X100 Phoenix connectors | AWG 30–12 | 5–7 Lb.In. |
| X1/X100 Anytek connectors | AWG 24–12 | 3.5 Lb.In. |

- These devices are Class 2 supplied programmable controllers (industrial PCs) for the use in industrial control equipment and are intended to be (front) panel mounted (Type 1 and 4x for indoor use only).



The enclosure provides a degree of protection of at least IP20, but when installed in an apparatus, it should meet IP54.

LE BOÎTIER OFFRE UN DEGRÉ DE PROTECTION D'AU MOINS IP20, MAIS LORSQU'IL EST INSTALLÉ DANS UN APPAREIL, IL DOIT ÊTRE DE CLASSE IP54.

During Installation

- The operator panel is designed for stationary installation on a planar surface, where the following conditions are fulfilled:
 - no high explosive risks
 - no strong magnetic fields
 - no direct sunlight
 - no large, sudden temperature changes
- Install the operator panel according to the accompanying installation instructions.
- Ground the operator panel according to the accompanying installation instructions.
- Only qualified personnel may install the operator panel.
- Separate the high voltage, signal and supply cables.
- Make sure that the voltage and polarity of the power source is correct before connecting the operator panel to the power outlet.
- Peripheral equipment must be appropriate for the application and location.
- In a Zone 2 environment, this equipment shall be installed in an enclosure that provides a degree of protection not less than IP 54 or greater than IP 65 in accordance with IEC/EN 600079-0. The IP rating of the equipment is limited to the IP rating of the enclosure it is to be installed into.
- In a Zone 22 environment, this equipment shall be installed in an enclosure that provides a degree of protection not less than IP 64 or greater than IP 65 in accordance with IEC/EN 600079-0. The IP rating of the equipment is limited to the IP rating of the enclosure it is to be installed into.

During Use

- Keep the operator panel clean.
- Emergency stop and other safety functions may not be controlled from the operator panel.
- Do not use excessive force or sharp objects on the display or the keys.

Service and Maintenance

- Only qualified personnel should carry out repairs.
- The agreed warranty applies.
- Before carrying out any cleaning or maintenance operations, disconnect the equipment from the electrical supply.
- Clean the display and surrounding front cover with a soft cloth and mild detergent.
- Replacing the battery incorrectly may result in explosion. Only use batteries recommended by the supplier. During the warranty period, the battery needs to be replaced by an authorized ABB service center.

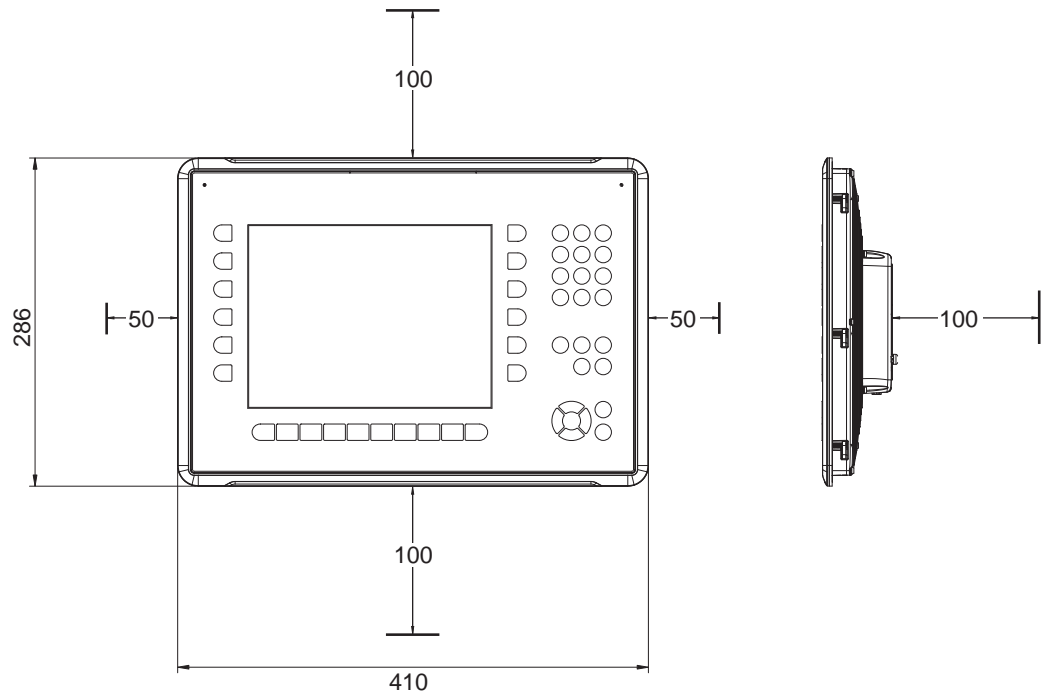
Dismantling and Scrapping

- The operator panel or parts thereof shall be recycled according to local regulations.
- The following components contain substances that might be hazardous to health and the environment: lithium battery, electrolytic capacitor and display.

Section 3 Installation

Space Requirements

- Maximum installation plate thickness: 8 mm
- Space requirements in millimeters when installing the operator panel:

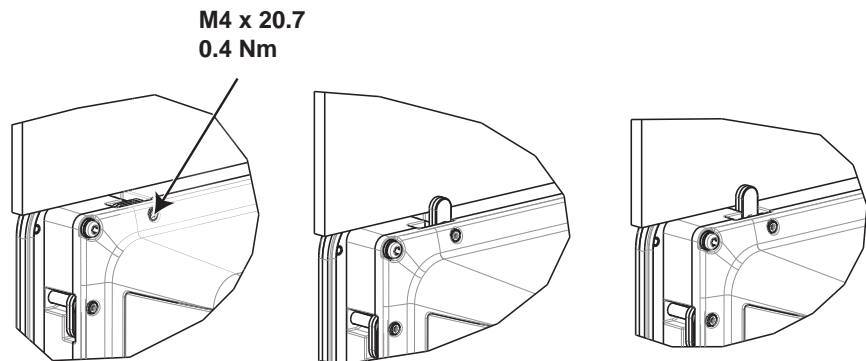


The dimensions on the drawing are not proportional.

Installation Process

The following is needed:

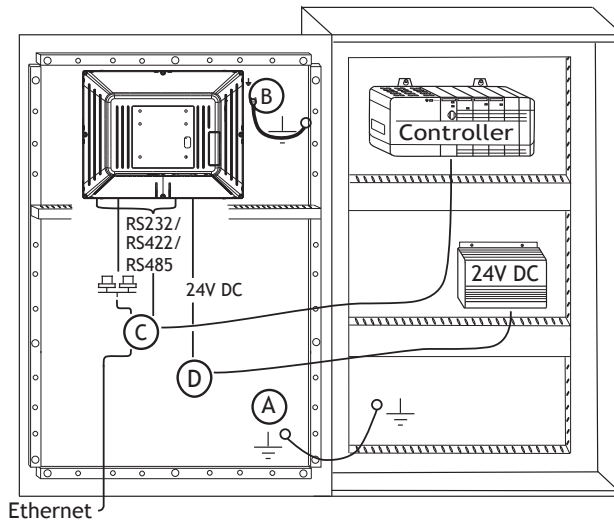
- A Phillips/slot screwdriver
1. Unpack and check the delivery. If damage is found, notify the supplier.
 2. Place the operator panel on a stable surface during installation. Dropping the operator panel or letting it fall may cause damage.
 3. To cut a correct opening for the operator panel, use the cut out dimensions in the outline drawing. For more information, see sections [Operator Panel Drawings](#) and [Technical Data](#).
 4. Secure the operator panel in position using all the fastening holes and the provided brackets and screws:



5. Connect the cables in the specified order, according to the drawing and steps below.



- The operator panel must be brought to ambient temperature before it is started up. If condensation forms, ensure that the operator panel is dry before connecting it to the power outlet.
- Ensure that the operator panel and the controller system have the same electrical grounding (reference voltage level), otherwise errors in communication may occur.
- Ensure that the voltage and polarity of the power source is correct.
- Separate high voltage cables from signal and supply cables.
- Shielded communication cables are recommended.



- Connect cable A.
 - Connect cable B, using an M5 screw and a grounding conductor (as short as possible), that is sized correctly according to local electrical codes.
 - Connect cable C.
 - Connect cable D. The recommended cross-section of the cable is 1.5 mm².
6. Carefully remove the protective film over the operator panel display, take care to avoid static electricity that could damage the panel.

Connections to the Controller

For information about the cables to be used when connecting the operator panel to the controller, please refer to the help file for the driver in question.

Other Connections and Peripherals

Cables, peripheral equipment and accessories must be suitable for the application and its environment. For further details or recommendations, please refer to the supplier.

Section 4 Technical Data

| Parameter | PP877K |
|--|---|
| Display | 10.0" |
| Front panel, W x H x D | 410 x 286 x 7 mm |
| Cut out dimensions, W x H | 394 x 270 mm |
| Mounting depth | 76 mm (176 mm including clearance) |
| Standalone mounting | VESA 75 x 75 Note: Maximum screw length for VESA mounting is 4 mm. Usage of longer screws may lead to damage. |
| Front panel seal | IP 65 |
| Rear panel seal | IP 20 |
| Keyboard material | Membrane switch keyboard with metal domes. Overlay: Autotex F150 with print on reverse side. |
| Keyboard operations | 1 million key press operations. |
| Reverse side material | Powder-coated aluminum |
| Frame material | Powder-coated aluminum |
| Weight | 3.8 kg |
| Serial port for COM1 RS232 and COM2 RS422/RS485 | 9-pin D-sub contact with RS232 RTS/CTS, chassis-mounted female with standard locking screws 4-40 UNC |
| Serial port for COM3 RS232 and COM4 RS422/RS485 | 9-pin D-sub contact with RS232 RTS/CTS, chassis-mounted female with standard locking screws 4-40 UNC |

| Parameter | PP877K |
|---|---|
| Ethernet | 1 × 10/100 Base-T (shielded RJ45) |
| USB | 1 × USB Host 2.0, max output current 200 mA |
| Processor | 400 MHz ARM9 |
| External storage media | 1 × SD card (optional). Only compatible with the standard SD format with up to 2 GB storage capacity. |
| Flash memory (application memory) | 128 MB SSD NAND Flash (80MB) |
| Memory RAM | 128 MB (DDR2) |
| LED | 1 × blue/red software programmable |
| Real time clock | Yes (on chip) |
| Battery | Lithium battery type BR 2032, soldered |
| Power consumption at rated voltage 12 V / 24 V respectively | 9.6 W |
| Fuse | 2.0 AT |
| Power supply (power range) | +24 V DC (18 to 32 V DC) CE: The power supply must conform with the requirements according to IEC 60950 and IEC 61558-2-4. UL and cUL: The power supply must conform with the requirements for class II power supplies. |
| Display | TFT-LCD with LED backlight 800 × 480 640 × 480 pixels, 64 k colors |
| Screen brightness | 450 cd/m ² |
| Screen viewing angle | Horizontal: 160°, Vertical: 140° |
| Backlight lifetime | 50,000 hours |
| Active area of display, W × H | 211.2 × 158.4 mm |
| Operating temperature | -10 °C to +60 °C |
| Storage temperature | -20 °C to +70 °C |
| Relative humidity in operation | 5% – 85% non-condensed |

| Parameter | PP877K |
|-----------------|---|
| CE approvals | The equipment conforms completely with the following stated standards or technical specifications: <ul style="list-style-type: none">— EMC Directive 2004/108/EC— EMC Directive 2004/108/EC + A1:2011— Low Voltage Directive 2006/95/EC— Emission: EN 61000-6-4:2007— Immunity: EN 61000-6-2:2005 |
| Marine approval | According to valid Marine certification on Certification agencies online database. For more information, see http://www.800xahard-wareselector.com and http://compacthardwareselector.com . |
| UL approval | According to UL Multiple Listing. For more information, see http://www.800xahard-wareselector.com and http://compacthardwareselector.com . Units must be UL labelled. |

⁽¹⁾ See section *Chemical Resistance* for more information.

Section 5 Chemical Resistance



If exposure to any of the below chemicals is demanded, it is recommended to first test the chemical in a hidden spot of the equipment.

Metal Casing

The frame and casing material is powder-coated aluminum. This powder paint withstands exposure to the following chemicals without visible change:

| | |
|----------------------|---------------------|
| Acetic acid 10% | Phosphoric acid 4% |
| Citric acid 10% | Phosphoric acid 10% |
| Diesel | Sea water |
| Distilled water | Sodium chloride 2% |
| Edible oil | Sodium chloride 20% |
| Fuel oil | Sulphuric acid 20% |
| Hydrogen peroxide 3% | Tap water |

The powder paint shows limited resistance to the following chemicals at room temperature:

| | |
|-------------------------|---------------------|
| Butanol | Nitric acid 3% |
| Hydrochloric acid 5% | Nitric acid 10% |
| Isopropyl alcohol | Phosphoric acid 43% |
| Sodium hypochlorite 10% | Turpentine |

The powder paint shows little or no resistance to the following chemicals at room temperature:

| | | |
|--------------------|----------------------|---------------------------|
| Acetic acid, conc. | Methyl-ethyl ketone | Toluene |
| Acetone | Nitric acid 30% | Trichlorethylene |
| Ammonia 5% | Phenol | Xylene |
| Ammonia, conc. | Sodium hydroxide 5% | 97 octane unleaded petrol |
| Ethyl acetate | Sodium hydroxide 30% | 98 octane leaded petrol |

Screen and Overlay Material

Autotex F150

Autotex F150 covers the overlay surrounding the screen.

Solvent Resistance

Autotex F150 withstands exposure of more than 24 hours duration under DIN 42 115 Part 2 to the following chemicals without visible change:

| | | |
|---|--|-----------------------------|
| Ajax / Vim in solution | Downy / Lenor ⁽¹⁾ | Phosphoric acid (<30%) |
| Alkalicarbonate solution ⁽¹⁾ | Ethanol | Potassium ferricyanide |
| Ammonia (<40%) ⁽¹⁾ | Glycerine | Potassium hydroxide (<30%) |
| Acetic acid (<50%) | Glycol | Pure Turpentine |
| Ariel powder in solution ⁽¹⁾ | Gumption ⁽¹⁾ | SBP 60/95 ⁽¹⁾ |
| Bleach ⁽¹⁾ | Hydrochloric acid (<36%) | Sulfuric acid (<10%) |
| Castor oil | Linseed oil | Tomato ketchup |
| Caustic soda (<40%) ⁽¹⁾ | Methanol | Trichloroacetic acid (<50%) |
| Cutting oil | Nitric acid (<10%) | White Spirit |
| Cyclohexanol | Paraffin oil | Windex ⁽¹⁾ |
| Diacetone alcohol | Persil powder in solution ⁽¹⁾ | Wisk |
| Diesel | Petroleum spirit ⁽¹⁾ | Acetonitrile |

⁽¹⁾ Extremely faint glossing of the texture was noted.

Autotex F150 is not resistant to high pressure steam at over 100 °C or the following chemicals:

| | |
|-------------------------------|--------------------|
| Concentrated mineral acids | Benzyl alcohol |
| Concentrated caustic solution | Methylene chloride |

Screen Surface

The screen surface on the operator panel withstands exposure to the following solvents without visible change:

| Solvents | Time |
|-------------|------------|
| Acetone | 10 minutes |
| Isopropanol | 10 minutes |
| Toluene | 5 hours |

Screen and Keyboard Protection Film

Autoflex EBA 180L

It is recommended to use the Autoflex EBA 180L protection film, RX877K, that can be ordered from ABB.

Solvent Resistance

The chemical resistance for Autoflex EBA 180L is described in section [Autotex F150](#).

Outdoor Use

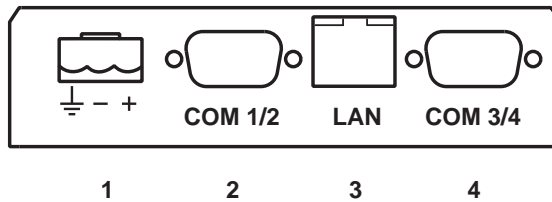
In common with all polyester based films, Autoflex EBA 180L is not suitable for use in conditions of long-term exposure to direct sunlight.



The layer structure of the touch screen contains air and in rare cases appearance of bubbles can arise. This is purely cosmetic and does not affect any functionality of the panel. The appearance can occur under certain environmental conditions such as temperature, humidity, and atmospheric pressure.

Section 6 Operator Panel Drawings

Connectors



| Pos. | Connector | Description |
|------|--------------|-----------------------------------|
| 1 | Power supply | +24 V DC (18-32 V DC) |
| 2 | COM 1/2 | Communication Ports |
| 3 | LAN | 1 × 10/100 Base-T (shielded RJ45) |
| 4 | COM 3/4 | Communication Ports |

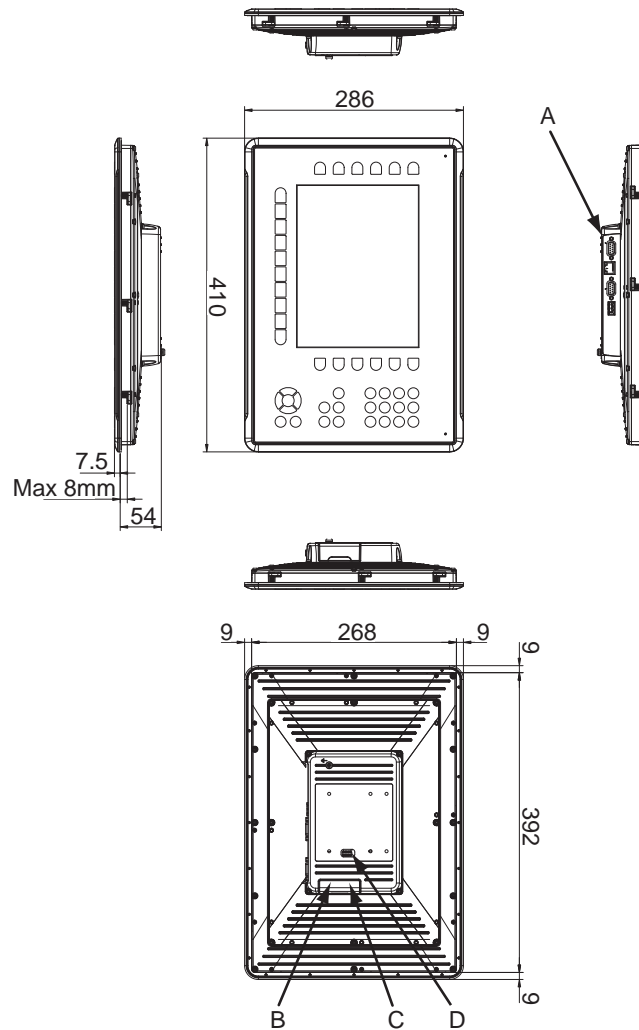
Communication Ports

| Pin | Serial port, 9-pin female | | Serial port, 9-pin female | |
|-----|---------------------------|----------------------------|---------------------------|----------------------------|
| | COM1 | COM2 | COM3 | |
| 1 | - | RS422 Tx+ RS485 Tx+/Rx+ | - | RS422 Tx+ RS485 Tx+/Rx+ |
| 2 | RS232 RxD | - | RS232 RxD | - |
| 3 | RS232 TxD | - | RS232 TxD | - |
| 4 | - | RS422 Rx+ | - | RS422 Rx+ |
| 5 | GND | GND | GND | GND |
| 6 | - | RS422 Tx- RS485 Tx-/Rx- | - | RS422 Tx- RS485 Tx-/Rx- |
| 7 | RS232 RTS | - | - | RS422 RTS+ |
| 8 | RS232 CTS | - | - | RS422 RTS- |
| 9 | - | RS422 Rx- | - | RS422 Rx- |



In order to utilize two communication ports on the same physical port, the Y-split cable TK860V001 (part number 3BSE069476R1) must be used.

PP877K Outline

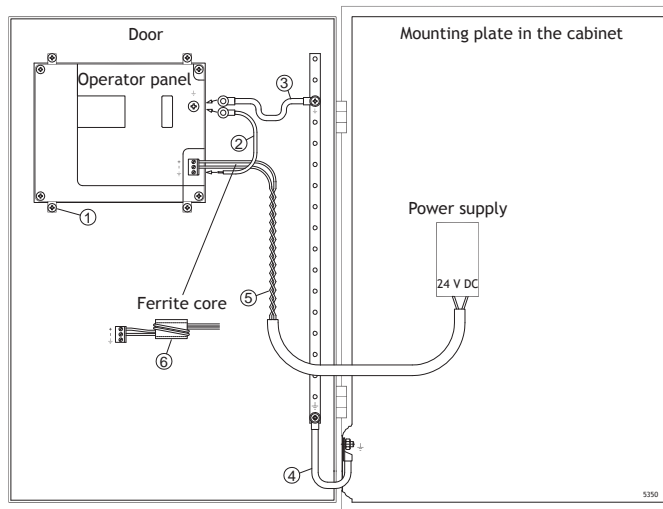


*Figure 1. A. Connectors
B. SD memory card slot
C. USB host
D. Expansion port*

Section 7 Additional Installation Tips

When experiencing communication problems in for example noisy environments or when operating close to temperature limits, the following recommendations are to be noticed.

Grounding the operator panel



The mounting clamps of the operator panel do not provide a secure grounding connection between the panel and the device cabinet, see 1 in drawing above.

1. Connect a wire, that is sized correctly according to local electrical codes, between the quick-connect terminal connector on the operator panel and the chassis of the panel, see 2 in drawing above.

2. Connect a wire or grounding braid, that is sized correctly according to local electrical codes, between the chassis of the operator panel and the closest grounding point on the door, see 3 in drawing above.
3. Connect a strong but short grounding braid between the door and the device cabinet, see 4 in drawing above.
4. Twist the cables onto the 24 V DC feed, see 5 in drawing above.
2 turns around the ferrite core provide 4 times the suppression of 1 turn.
3 turns around the ferrite core provide 9 times the suppression of 1 turn.

A ferrite core suppresses disturbances to the 24 V feed, see 6 in drawing above.



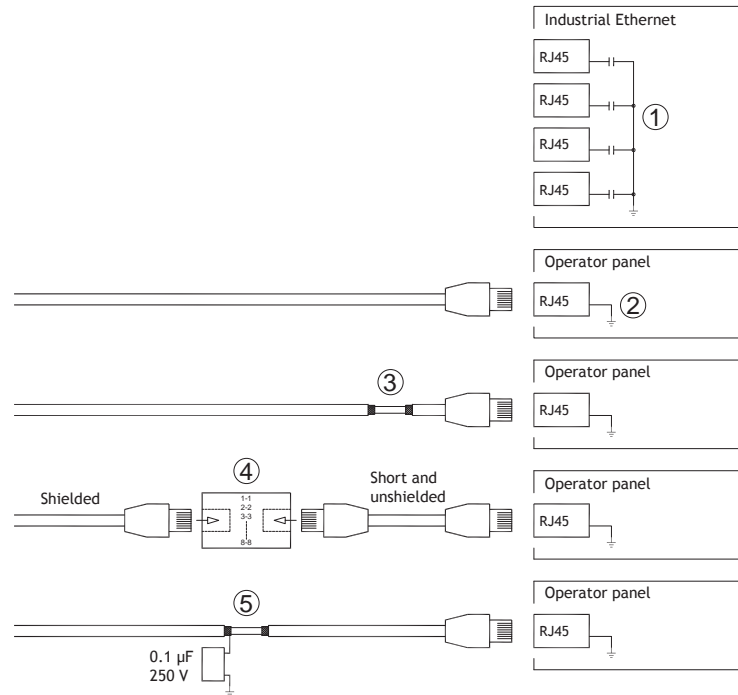
The grounding wires should be short and the conductor should have a large area.

A long, thin grounding wire has a very high impedance (resistance) at high frequencies and does not guide disturbances to the ground.

Multi-wire conductors are better than single wire conductors with the same area.

A braided conductor wire with the same area is even better. The best is a short, thick grounding braid.

Ethernet Connection in the Operator Panel



In some industrial units for Ethernet, the RJ45 contact's shield is connected to the chassis via a capacitor, see 1 in drawing above.

The operator panel's Ethernet shield is directly connected to the chassis, see 2 in drawing above.

1. Check whether the other Ethernet unit has its shield directly grounded or grounded via a capacitor.



In many cases, connecting the shielded Ethernet cabling to the chassis at both ends is inappropriate. Hum or grounding loops can occur. Unshielded cabling may even result in fewer communication errors.

A good solution may be to use a shielded Ethernet cable, but to connect the shield at one end only.

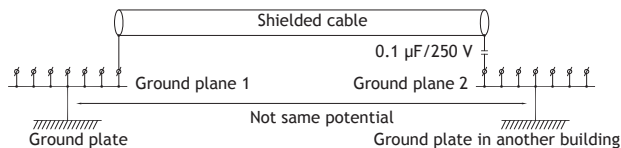
One option is to break the shield, see 3 in drawing above.

A more elegant method is to expand the shielded Ethernet cabling with a piece of unshielded Ethernet cable, see 4 in drawing above.

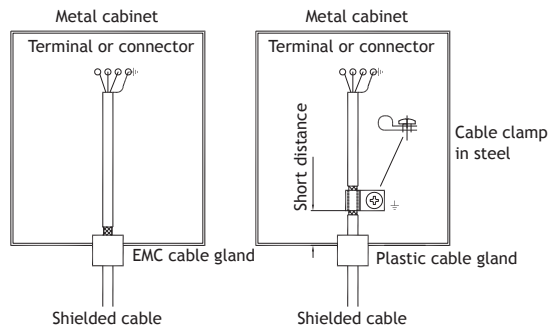
The shield can be grounded via an external 0.1 μF /250 V plastic capacitor, see 5 in drawing above. This connects the HF transients to ground.

To Achieve Better EMC Protection

- Use shielded cables for RS232 communication.
- Use twisted pair and shielded cabling for RS422 and RS485.
- Use the cabling intended for the bus type; Ethernet, Profibus, CC-Link, CAN, Device Net etc.
- Install and connect according to applicable specifications for the relevant bus standard.
- Use shielded cabling for Ethernet, preferably with foil and a braided shield.
- D-sub covers should be shielded, and the shield should be connected to the cover 360° where the cable enters.
- Connect the shield at both ends.



With longer distances, there is a risk that the ground potential may be different. In that case, the shield should only be connected at one end. A good alternative is to connect the other end of the shield to the ground via a 0.1 $\mu\text{F}/250\text{ V}$ plastic capacitor. Both ends are then connected to the ground in terms of HF, but only connected to the ground at one end in terms of LF, thus avoiding the 50/60 Hz grounding loops.

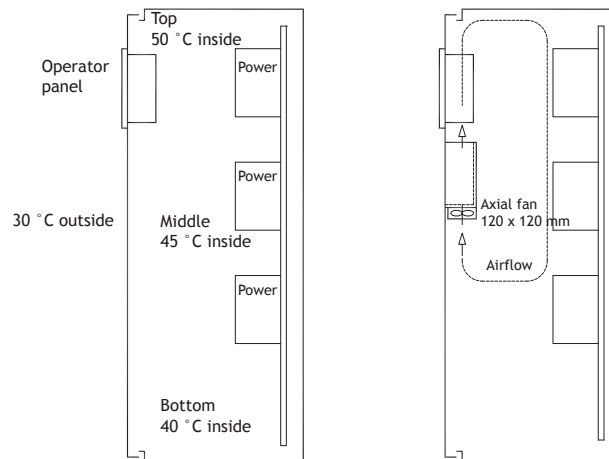


1. Use an EMC cable gland or regular plastic cable gland, remove the outer jacket and connect the shield to the installation plate with a 360° metal cable clamp.
2. Place the 24 V DC and communications cabling in one cable trunk/cable duct and 230/380 V AC in another. If the cables need to be crossed, cross them at 90° only. Avoid combining the cabling for stronger 24 V DC outputs with the communication cabling.

Ferrite cores that are snapped onto the shielded cabling may remove minor disturbances. Large ferrite pieces that are snapped onto unshielded cabling and where the wires go 2-4 times around the cores are approximately 5-25 times more efficient.

Ambient Temperature

The maximum ambient temperature for the operator panel is provided in the specifications. The ambient temperature refers to the temperature in the device cabinet which cools the operator panel's electronics.



In most cases, the ambient temperature for the operator panel is significantly higher than the device cabinet's ambient temperature.

If the cabinet is tall and there are a number of heat-generating devices, the temperature at the top of the cabinet is considerably higher than the temperature increase that would be expected. All electronics are sensitive to heat. The lifespan of

an electrolytic capacitor is cut in half with an 8-10 °C increase in temperature. A 15-20 °C temperature increase results in a quarter of the lifespan etc.

Rittal has a good program for estimating the anticipated average temperature in the cabinet as well as a large program for controlling the temperature in the device cabinet.

An enamel-coated steel cabinet has a radiant heat value of 5.5 W/m² and degrees C.

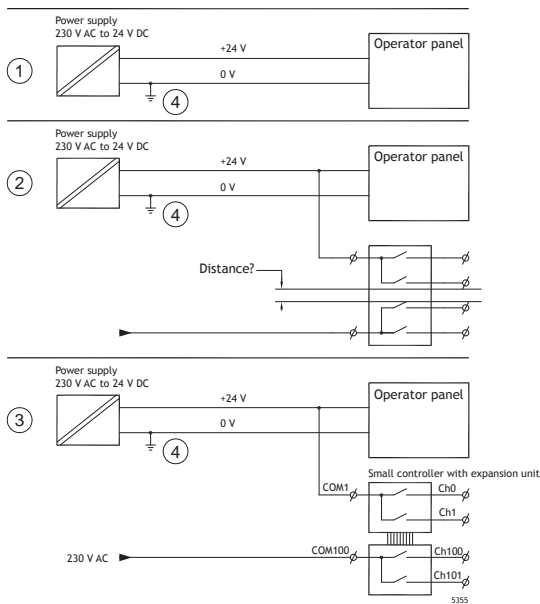
Installing a fan inside the cabinet evens out the temperature, while moving air provides considerably better cooling than still air.

Install the fan so that it sits in a cooler area and blows cold air against the operator panel. If the fan is mounted at the top and sucks warm air upwards, the ambient temperature of the fan becomes higher, resulting in a shorter lifespan.

An approximate value of the net power consumption for the operator panel can be calculated by multiplying the supply voltage with the current drawn by the operator panel. This is assuming that all supplied power is transformed to heat.

Safety

Most of the operator panels are fed with 24 V DC.



If a power supply that meets safety standards is used and only feeds the operator panel, there is no problem. See 1 in drawing above.

However, if a 24 V unit that also feeds other units is used, there is reason to be cautious, see 2 in drawing above. The operator panel does not have insulation that meets safety requirements in the event of a potential short circuit between 230 V AC and 24 V DC. It is assumed that the 24 V feed is secure, for example, SELV according to EN 60950 (protection against electric shock) and UL 950.



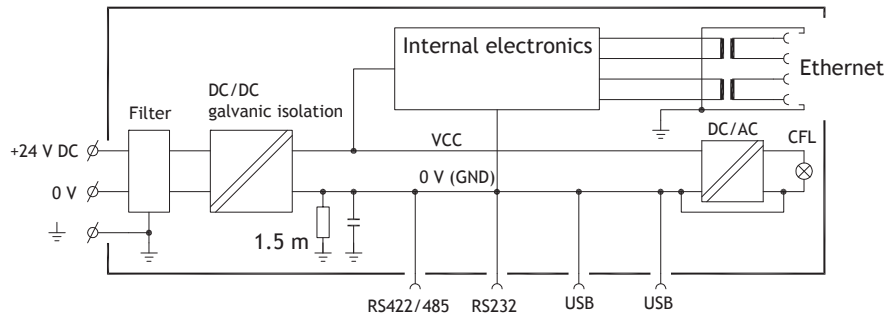
Here is an example that explains why a secure 24 V DC feed can be ruined by mixing 24 V relay contacts with 230 V AC relay contacts in a smaller controller. Check that the clearances and creepage distances between 24 V DC and 230 V AC fulfill EN 60950 or UL 950. If not, input a separate 24 V unit into the operator panel.

If there is a substantial distance between the relay contacts for 24 V DC and 230 V AC, it is OK to use the same 24 V devices for all feeds. See 3 in drawing above.

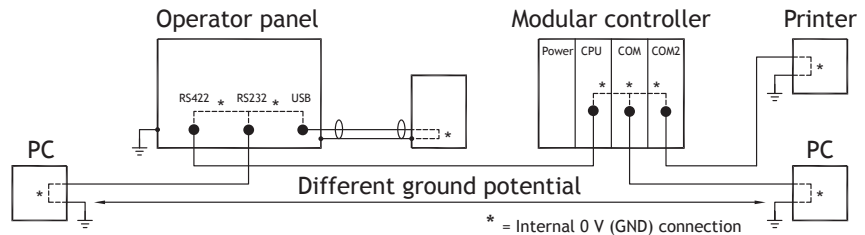
Connect 0 V on the 24 V feed to the ground, see 4 in drawing above. This offers three advantages:

- Safety is increased. The 24 V feed is not live in the event of a faulty connection or short circuit between 0 V (24 V) and 230 V phase.
- Transients on the 24 V feed are connected to the ground.
- No risk that the 24 V feed is at a high level in relationship to the ground. This is not unusual since there is high static electricity.

Galvanic Isolation



The operator panel has galvanic isolation against the 24 V DC feed but no galvanic isolation between the communication ports for RS232, RS422/485 and USB. Only the Ethernet connection has galvanic isolation.



When a PC is connected to the operator panel, the internal 0 V (GND) of the panel is connected to the protective ground via the PC.

A number of USB devices can have the shield connected together with the protective ground. Here, the 0 V (GND) of the operator panel is connected to the protective ground when, for example, a USB memory stick, keyboard, or similar device is plugged in.

If a number of units are connected that have a 0 V and a ground connection, and these are connected to various grounding points, there is a substantial risk of problems. Grounding currents go through communication cables, the rear plate of the controller, and internally in the operator panel, and can cause errors.

Use external units to improve communication and achieve galvanic isolation. Westermo has good industry-standard insulators that are also insulated from the 24 V DC feed.



It is very important to make sure that the 24 V feed in the external insulation unit is not connected to one of the communication outlets. If it does not have 100% insulation against the 24 V feed, disturbances and grounding currents from the 0 V on the 24 V side disrupts the communication.

Using this type of unit solves one problem but creates a larger problem! A substandard installation may work now, but problems may arise when other devices are connected.

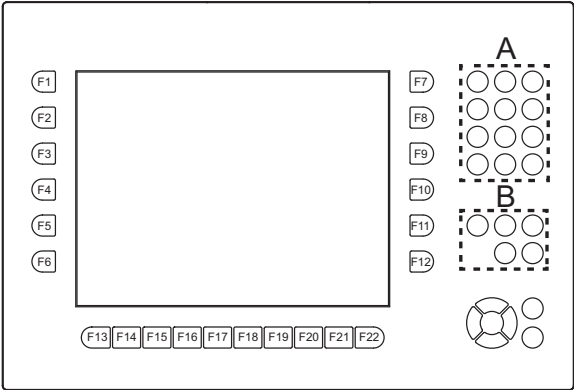
Cable and Bus Termination RS485

- If maximum transfer distance and maximum transfer speed is needed, shielded and twisted pair cable should be used. The mutual capacitance may not exceed 52.5 pF/m, and the cable area should be at least 0.25 mm² (AWG 24).
- 0 V, the reference voltage for communication should be included in the cabling. With two-way communication use two pairs; one pair for communication and one pair for 0 V.
- The shield must be grounded at one end. The other end is usually grounded, but with longer distances or when there is a difference in the ground potential, the shield should be connected to the ground via 0.1 μF/250 V plastic capacitor to prevent ground current in the braided shield. A number of manufacturers recommend that the shield be grounded at each node. Various manufacturers have different systems for bus termination.

Depending on the recipients' design, the bus wires may be on the same level or require pull-up or pull-down to ensure that no faulty signals are detected when the bus is in resting mode (all transmitters are disconnected).

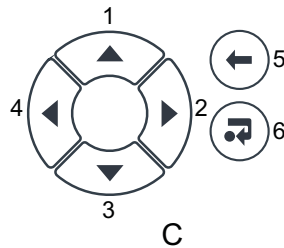
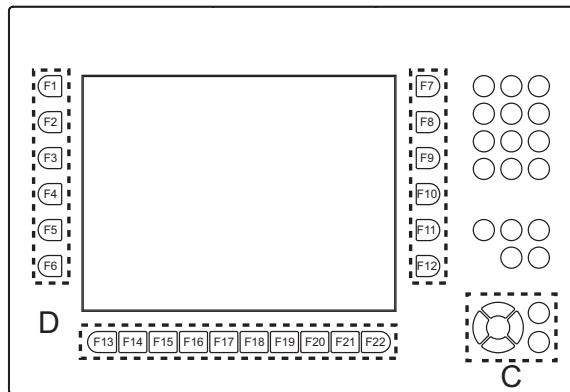
Section 8 Keypad Function

Keypad



| | | |
|---|--------------------|----------------------|
| A | Alpha-numeric keys | |
| B | Shortcut keys | |
| | PREV | Previous screen |
| | HOME | Home/start-up screen |

| | | |
|--|-------|-------------------|
| | NEXT | Next screen |
| | ALARM | Alarm screen |
| | ACK | Acknowledge alarm |



| | | |
|---|--------------------------|-----------|
| C | Navigation keys | |
| | 1 | Up |
| | 2 | Right |
| | 3 | Down |
| | 4 | Left |
| | 5 | Backspace |
| | 6 | Enter |
| D | Function keys (F1 - F22) | |

Contact us

www.abb.com/compactproductsuite
www.abb.com/controlsystems

3BSE069461-600 Rev B
Copyright © 2015–2016 ABB. All rights reserved.