

**STAT-probe and STAT-probe/SS**

**WARRANTY**

Air Monitor Corporation (hereinafter referred to as "Seller") warrants that at the time of shipment, products sold pursuant to this contract will be free from defects in materials and workmanship, and will conform to the specifications furnished or approved in writing by Seller. No warranty is given that delivered products will conform to catalog sheets, data sheets, and the like, which are subject to change without notice.

Seller will repair or replace, at its option, any products listed under this warranty which is returned freight pre-paid to Seller and within the earlier of one (1) year after start-up or fifteen (15) months after shipment, prove upon test and examination by Seller to be defective within the terms of this warranty. The warranty period for any item repaired or replaced shall be for the time remaining on the warranty period for the original components. Purchaser shall notify Seller in writing of such defect within sixty (60) days of discovery of the defect.

This warranty does not extend to any product sold by Seller which has been the subject of misuse, neglect, accident, damage or malfunction caused by interconnection with equipment manufactured by others, improper installation or storage, or used in violation of instructions furnished by Seller, nor does it extend to any product which has been repaired or altered by persons not expressly approved by Seller. Nor does Seller warrant equipment against normal deterioration due to environment; nor items such as thermocouples, electrodes, and similar items subject to wear or burnout through usage. Adjustments for items or equipment not manufactured by Seller shall be made to the extent of any warranty of the manufacturer or supplier thereof.

Seller shall not be liable for any special or consequential damages or for loss of damage directly or indirectly arising from the use of the products.

The warranty set forth above is in lieu of all other warranties either express or implied and constitutes the full extent of Air Monitor Corporation's liability to the customer, or any other party for breach of warranty. THERE ARE NO EXPRESS WARRANTIES EXCEPT AS SET FORTH HEREIN. THERE ARE NO IMPLIED WARRANTIES OF MERCHANTABILITY OR FITNESS FOR ANY PARTICULAR PURPOSE, WHICH ARE PARTICULARLY DISCLAIMED.

## STAT-probe and STAT-probe/SS

### **INSPECTION & HANDLING.**

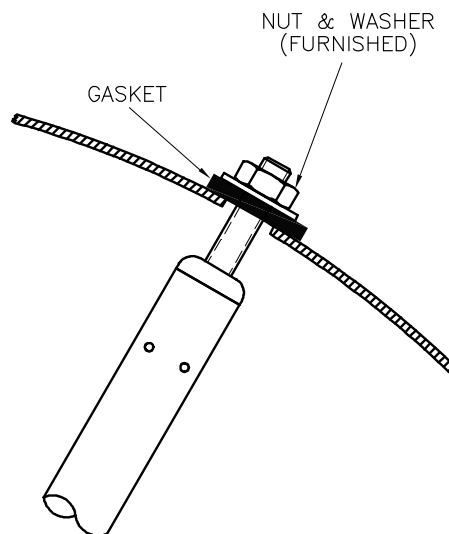
STAT-probes should be carefully inspected for damage prior to installation. Report damage to your Freight Department, or contact delivery carrier. Almost any means of handling can be utilized depending on the length and width of the probes. Probes may be handled while in any position; however, it is important not to drop or mishandle the probes such that damage is done to the sensing holes, tubular members, signal connection fittings, end studs, or mounting plates.

### **ORIENTATION OF PROBES.**

Using the AIRFLOW directional arrow on the probe mounting flange to determine correct orientation, install STAT-probes with sensing holes facing airflow.

### **INSTALLING STAT-probes.**

To achieve published performance standards, the location of STAT-probes in ductwork must comply with the *Minimum Requirements for Installation* (Page 4). Mounting hole sizes can be obtained using the dimensional data shown on Page 3.



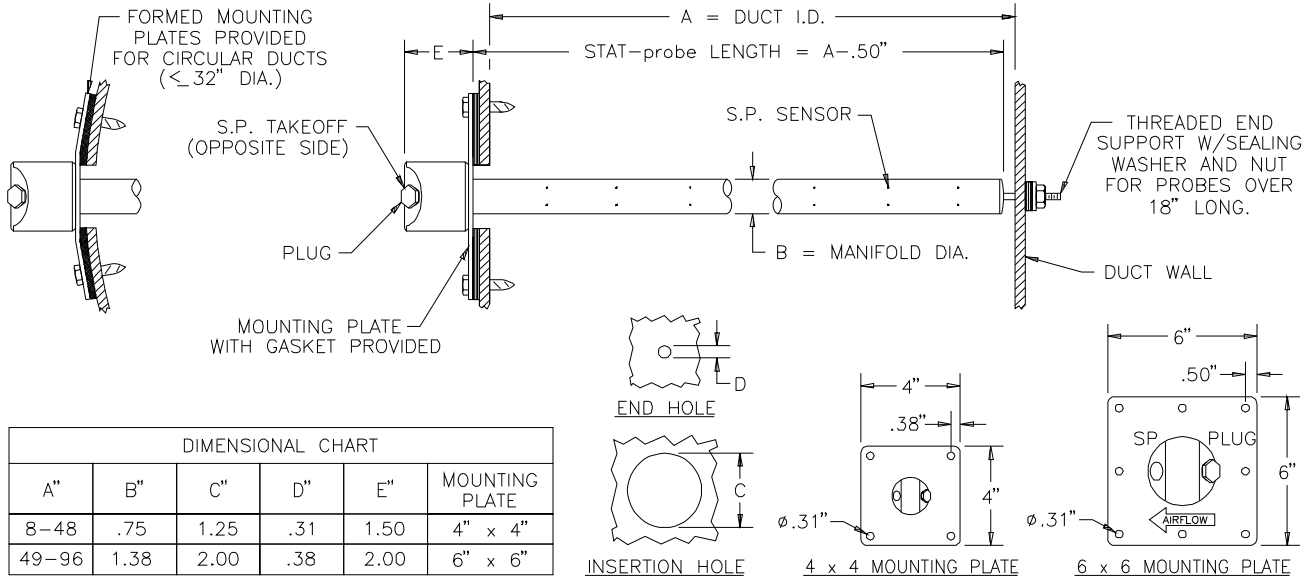
**FASTENERS.** STAT-probe mounting plates and gaskets are predrilled for 1/4" mounting fasteners. For ducts inaccessible from the inside, Air Monitor recommends Type AB 1/4" thread-forming tapping screws [use a No. 4 (0.209) drill for pilot hole]. If the inside of the duct is accessible, Air Monitor recommends the use of 1/4-20 bolts, nuts, and lock washers (or flat washers and lock nuts). Fasteners should be zinc coated carbon steel, or better.

Gasket mounting surface should be clean and burr free. Probes should be mounted perpendicular to matting surfaces. Fasteners need be tightened sufficiently to evenly compress gaskets to about 1/2 original thickness.

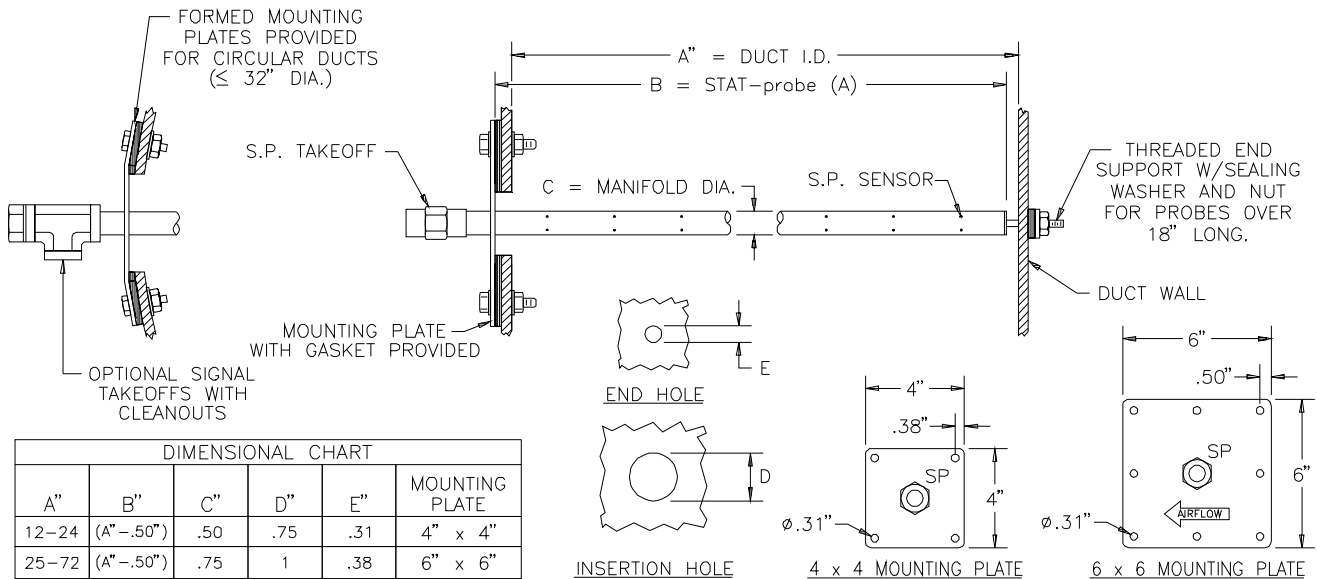
# STAT-probe and STAT-probe/SS

## DIMENSIONAL SPECIFICATIONS.

### STAT-probe



### STAT-probe/SS



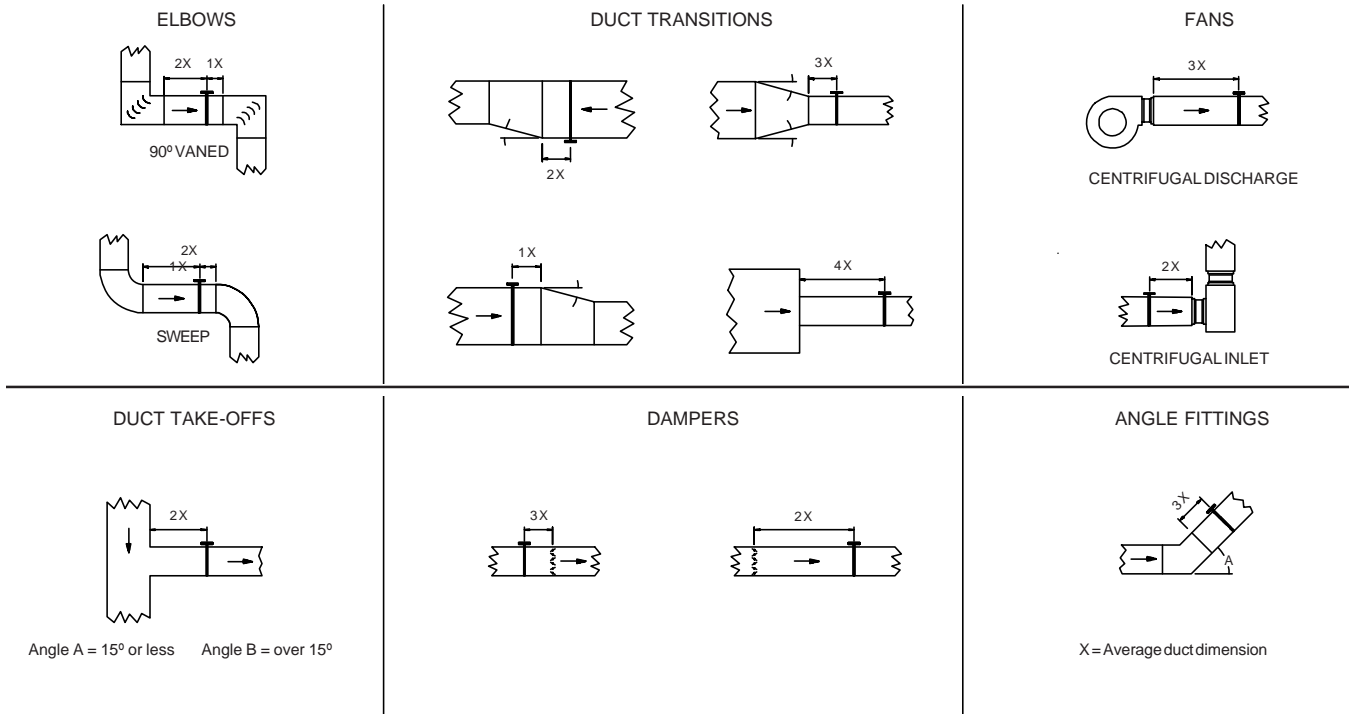
## AIR TEMPERATURE.

The STAT-probe, made of 3003 extruded anodized aluminum, is designed to operate in air systems with temperatures up to 400°F. The STAT-probe/SS, made of Type 316 stainless steel, is designed to operate in air systems with temperatures up to 1000°F.

# STAT-probe and STAT-probe/SS

## MINIMUM REQUIREMENTS FOR INSTALLATION.

**Note: STAT-probe locations shown are NOT ideal.** They indicate the minimum clearance required from air turbulence producing sources. Wherever possible, the STAT-probe should be installed where greater runs of straight duct (or clearances) than shown exist.



Rectangular Duct:  $x = \frac{2(H \times W)}{H + W}$

Circular Duct:  $x = \text{Duct Diameter}$

**CUSTOMER SERVICE.** Air Monitor Corporation provides in-house technical support for all our products:

Monday through Friday, 7 am to 5 pm (pst)  
 Phone: 707-544-2706 or 1-800-AIRFLOW / Fax: 707-526-2825

If after contacting the Customer Service Department it is determined that equipment will require return to Air Monitor Corporation for further repair, a Return Authorization number will be issued. A Confirmation of Return Authorization with shipping instructions will be sent via facsimile or e-mail. Equipment to be returned to Air Monitor should be returned in its original shipping container if possible. If this is not possible, ensure equipment is packaged sufficiently to protect it during shipment.

**Caution: All damage occurring during transit is the Customer's responsibility.**

List the Return Authorization (R/A) number on the packing list and clearly mark this number on the outside of each shipping container. Costs associated with the return of equipment to Air Monitor Corporation are the customer's responsibility regardless whether the repair/return is under warranty. Once the Customer Service Department determines that the equipment repair is under warranty, the item will be repaired and returned to the customer at no charge. If the equipment is not under warranty, customer will need to approve a repair quote which will be invoiced along with return shipping charges.

