

Data sheet

Servo-operated 2/2-way solenoid valves

Type EV227B



EV227B is a servo-operated 2/2-way solenoid valve programme, designed with diaphragm in softer material and with stronger armature spring for optimum closing at low pressure differences.

Features

- For neutral brines
- Ambient temperature: Up to 50 °C
- Coil enclosure: Up to IP67
- Stainless steel screws for optimum corrosion resistance
- Thread connection: from G 3/8 – G 1

Brass valve body



Connection ISO 228/1	Seal material	Orifice size	K _v - value [m ³ /h]	Differential pressure, min. to max. [bar]	Media temperature min. to max. [°C]	Code number
G 3/8	EPDM	10	1.5	0.1 – 5	-35 – 60	068F4050
G 1/2	EPDM	12	2.5	0.1 – 5	-35 – 60	068F4052
G 1/2	EPDM	14	3.5	0.1 – 5	-35 – 60	068F4053
G 3/4	EPDM	18	5.5	0.1 – 5	-35 – 60	068F4054
G 1	EPDM	22	5.5	0.1 – 5	-35 – 60	068F4055

Technical data

Main type	EV227B 10	EV227B 12	EV227B 14	EV227B 18	EV227B 22
Time to open [ms] ¹⁾	50	60	100	200	200
Time to close [ms] ¹⁾	300	300	400	500	500

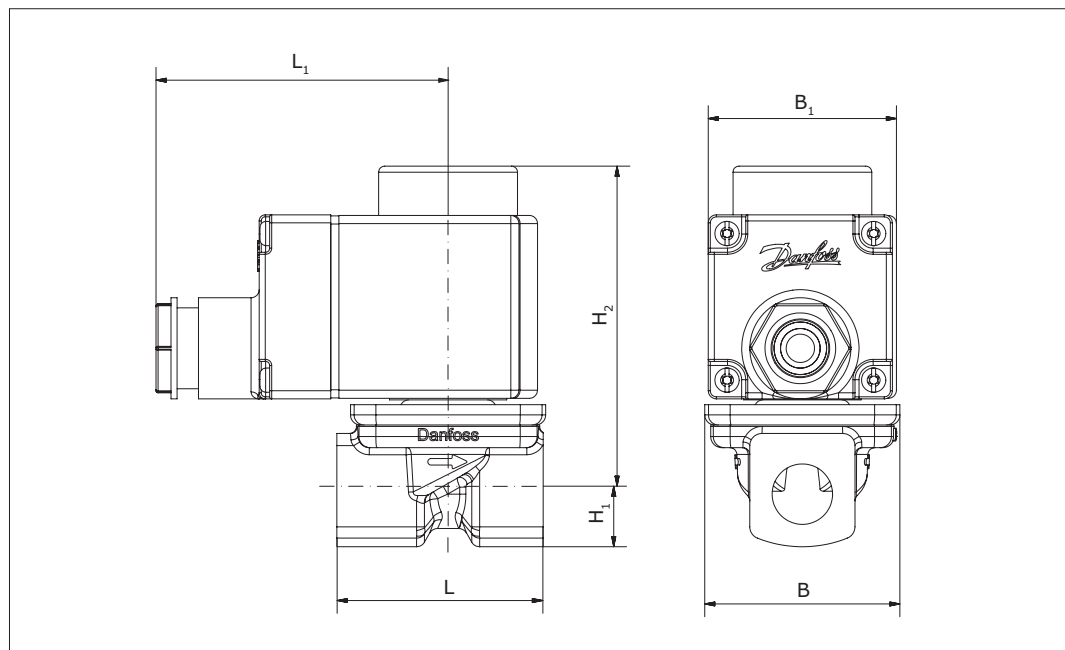
¹⁾ The times are indicative.

Type	EV227B 10-22		
Installation	Vertical solenoid system is recommended		
Max. test pressure	16 bar		
Ambient temperature	Up to 50 °C		
Viscosity	Max. 50 cSt		
Materials	Valve body:	Brass	W.no. 2.0402
	Cover	Stainless steel	W.no. 1.4301
	Armature tube:	Stainless steel	W.no. 1.4306
	Diaphragm:	EPDM	–
	Screws:	Stainless steel	–

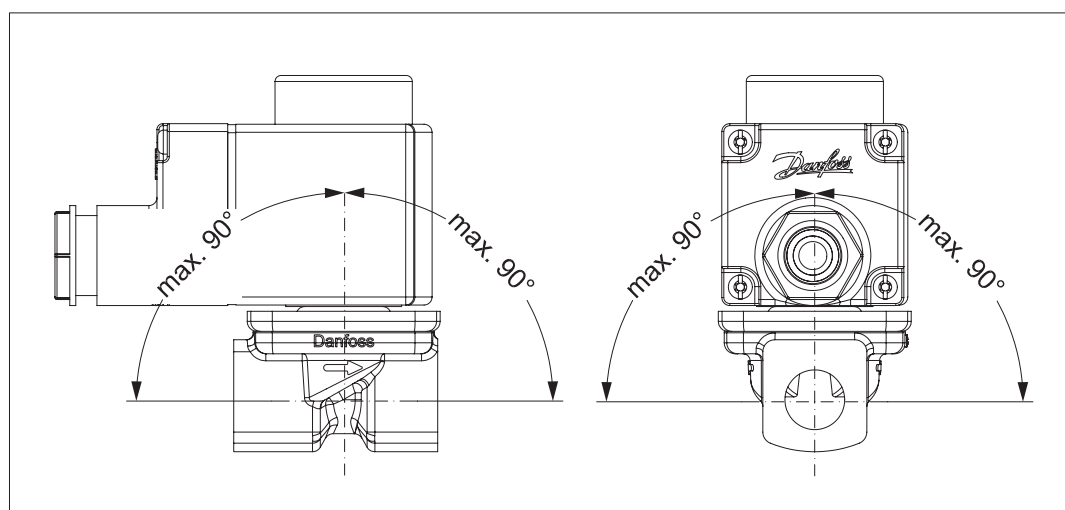
Dimensions and weight

Type	L [mm]	B [mm]	B ₁ /L ₁ [mm] Coil type				H ₁ [mm]	H ₂ [mm]	Weight without coil [kg]
			BE		BG				
			B ₁	L ₁	B ₁	L ₁			
EV227B 10	51	48	46	72	66	82	13	84	0.29
EV227B 12	58	50	46	72	66	82	13	84	0.35
EV227B 14	80	52	46	72	66	82	15	87	0.50
EV227B 18	90	56	46	72	66	82	18	90	0.65
EV227B 22	90	58	46	72	66	82	18	98	1.00



Dimensions



Mounting angle



Below coils can be used with EV227B

Coil	Type	Power consumption	Enclosure	Features
	BE, clip-on	10 W AC 18 W DC	IP67	With terminal box
	BG, clip-on	12 W AC 20 W DC	IP67	With terminal box

Spare parts kit

Type	Seal material	Code number
EV227B 10	EPDM	068F4000

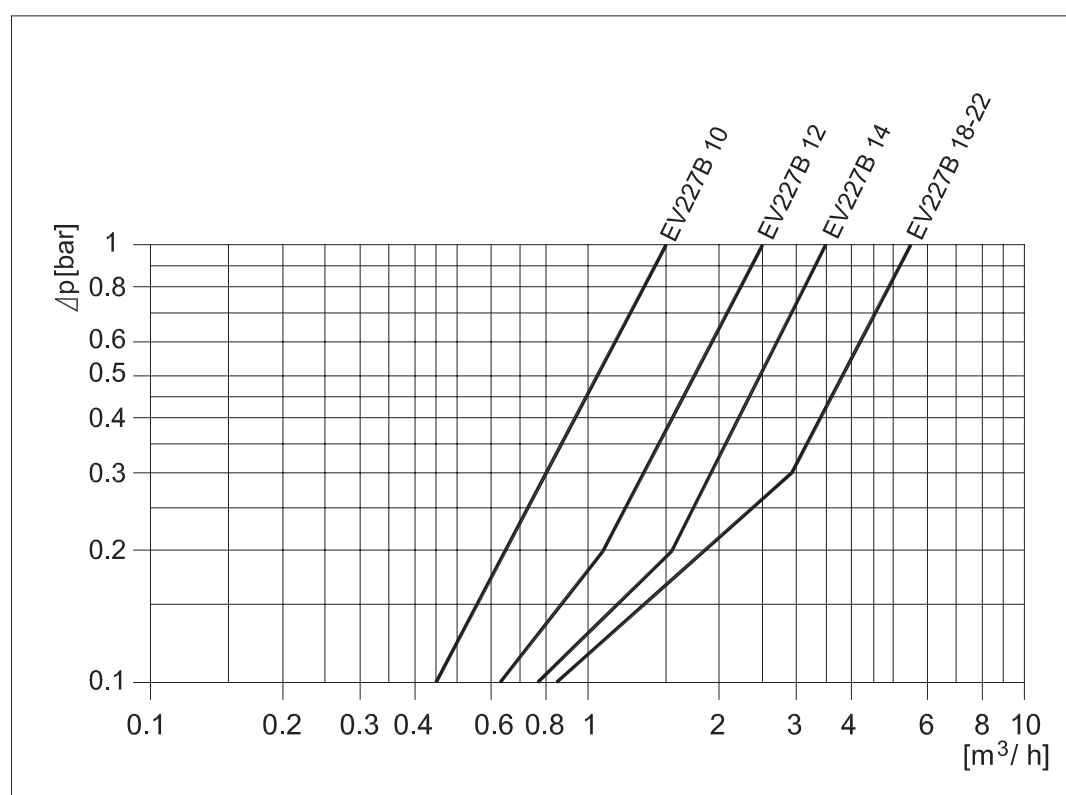
The kit contains:
 Diaphragm assembly
 2x O-ring
 Armature assembly

Spare parts kit

Type	Seal material	Code number
EV227B 12	EPDM	068F4001
EV227B 14	EPDM	068F4002
EV227B 18 - EV227B 22	EPDM	068F4003

The kit contains:
 Diaphragm assembly
 O-ring
 Armature assembly

Capacity diagram, water



Indicative capacity correction factors for different viscosities

Viscosity, mm^2/s	10	20	30	40	50
Correction factor	1.10	1.15	1.20	1.30	1.45

Multiply the capacity (m^3/h) with the viscosity to find the EV227B valve that complies with the correction factor of the brine selected for the corrected capacity system. Then use the water capacity diagram.