

# 800B

Dry • Black Finished Steel Case

UTILITY GAUGES



800B shown



- ▶ 1 1/2", 2", 2 1/2", 4" Dial Sizes
- ▶ ±1.6% Accuracy
- ▶ Drawn Steel Case

The Trerice **800B** Utility Gauge is designed for general pressure indication requirements. This gauge provides reliable service at an economical cost. Wetted parts are bronze tube and Lead-Free (PBF) brass socket.

- **Optional features and case style variations available: Please consult the Options & Accessories Section for details.**
- **For correct use and application of all pressure gauges, please refer to: Pressure Gauge Standard ASME B40.100.**

**Note: "NEW" Range Codes**

## Specifications

<b>Model</b>	800B
<b>Dial Sizes</b>	1 1/2", 2", 2 1/2", 4"
<b>Wetted Parts</b>	Bronze tube, brass socket Lead-Free (PBF) Meets NSF/ANSI Standards 372 and 61
<b>Movement</b>	Brass
<b>Connection</b>	1 1/2" Dial Size: Lower male or center back male, 1/8 NPT  2", 2 1/2" Dial Size: Lower male or center back male, 1/8 or 1/4 NPT  4" Dial Size: Lower male or center back male, 1/4 NPT
<b>Case</b>	Drawn steel, black finished, stem-mounted flangeless
<b>Window</b>	Acrylic
<b>Pointer</b>	Plain, black finished
<b>Dial Face</b>	Aluminum, white background with black graduations and markings
<b>Accuracy</b>	±1.6% Full Scale
<b>Maximum Temperature</b>	180°F (82°C)
<b>Approximate Shipping Weight</b>	1 1/2" Dial Size: 0.2 lbs [0.09 kg] 2" Dial Size: 0.3 lbs [0.14 kg] 2 1/2" Dial Size: 0.3 lbs [0.14 kg] 4" Dial Size: 0.6 lbs [0.27 kg]

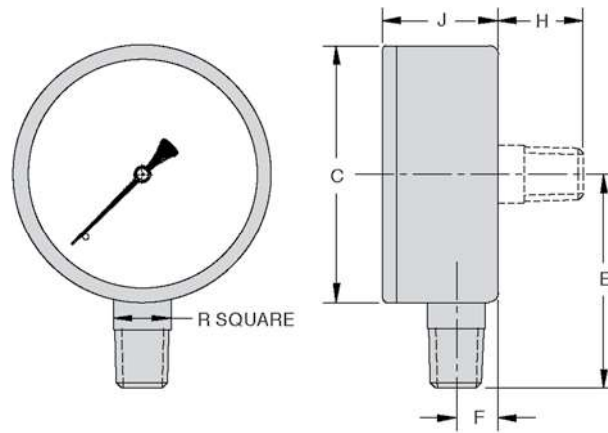
## HOW TO ORDER

Sample Order Number: **800B 15 01 B D 300**

Model	Dial Size	Connection Size	Connection Location	Units of Measure	Range Code
800B	15 1 1/2"	01 1/8 NPT	L Lower	A psi	See Standard Ranges  Note: "NEW" Range Codes
	20 2"	02 1/4 NPT	B Back	D psi/kPa	
	25 2 1/2"				
	40 4"				

All dimensions are nominal. Dimensions in [ ] are in millimeters.

Dry • Black Finished Steel Case



UTILITY GAUGES

Dial Size	C	E	F	H	J	R
1 1/2" Lower	1.57 [40]	1.54 [39]	0.35 [9]	0.71 [18]	1.02 [26]	0.43 [11]
1 1/2" Back	1.57 [40]	1.54 [39]	0.35 [9]	0.68 [17]	1.15 [29]	0.43 [11]
2"	1.97 [50]	1.93 [49]	0.39 [10]	0.89 [23]	1.16 [29]	0.55 [14]
2 1/2"	2.48 [63]	2.20 [56]	0.39 [10]	0.87 [22]	1.16 [29]	0.55 [14]
4"	3.94 [100]	2.87 [73]	0.39 [10]	0.95 [24]	1.38 [35]	0.55 [14]

## Standard Ranges

Note: "NEW" Range Codes

psi Ranges (A)					Corresponding psi/kPa Ranges (D)				
NEW Range Code	OLD Range Code	Specific Range	Figure Intervals	Minor Divisions	Specific Range	psi		kPa	
						Figure Intervals	Minor Divisions	Figure Intervals	Minor Divisions
30/0	010	30" Hg to 0	5	0.5	30" Hg to 0 / -100 to 0 kPa	5	0.5	10	2
30/15	020	30" Hg to 15 psi	10/5	1/0.5	30" Hg to 15 psi / -100 to 100 kPa	10/5	1/0.5	20/20	2/2
30/30	030	30" Hg to 30 psi	10/5	1/1	30" Hg to 30 psi / -100 to 200 kPa	10/5	1/1	50/50	5/5
30/60	040	30" Hg to 60 psi	10/10	2/1	30" Hg to 60 psi / -100 to 400 kPa	10/10	2/1	100/100	10/10
30/100	050	30" Hg to 100 psi	30/20	2/2	30" Hg to 100 psi / -100 to 700 kPa	30/20	2/2	100/100	10/10
30/150	060	30" Hg to 150 psi	30/30	5/2	30" Hg to 150 psi / -100 to 1000 kPa	30/30	5/2	100/100	10/10
30/300	070	30" Hg to 300 psi	30/50	5/5	30" Hg to 300 psi / -100 to 2000 kPa	30/50	5/5	100/200	20/20
15	080	0 to 15 psi	3	0.2	0 to 15 psi / 0 to 100 kPa	3	0.2	10	1
30	090	0 to 30 psi	5	0.5	0 to 30 psi / 0 to 200 kPa	5	0.5	20	2
60	100	0 to 60 psi	10	1	0 to 60 psi / 0 to 400 kPa	10	1	50	5
100	110	0 to 100 psi	10	1	0 to 100 psi / 0 to 700 kPa	10	1	100	10
160	120	0 to 160 psi	20	2	0 to 160 psi / 0 to 1100 kPa	20	2	200	10
200	130	0 to 200 psi	20	2	0 to 200 psi / 0 to 1400 kPa	20	2	200	20
300	140	0 to 300 psi	50	5	0 to 300 psi / 0 to 2000 kPa	50	5	200	20
400	150	0 to 400 psi	50	5	0 to 400 psi / 0 to 2800 kPa	50	10	400	20
600	160	0 to 600 psi	100	10	0 to 600 psi / 0 to 4000 kPa	100	20	500	50
1000	180	0 to 1000 psi	100	20	0 to 1000 psi / 0 to 7000 kPa	100	20	1000	100
1500	190	0 to 1500 psi	300	20	0 to 1500 psi / 0 to 10,000 kPa	300	20	1000	200
2000	200	0 to 2000 psi	200	20	0 to 2000 psi / 0 to 14,000 kPa	200	50	2000	200
3000	210	0 to 3000 psi	500	50	0 to 3000 psi / 0 to 20,000 kPa	500	100	2000	200
5000	220	0 to 5000 psi	1000	100	0 to 5000 psi / 0 to 35,000 kPa	1000	100	5000	500